

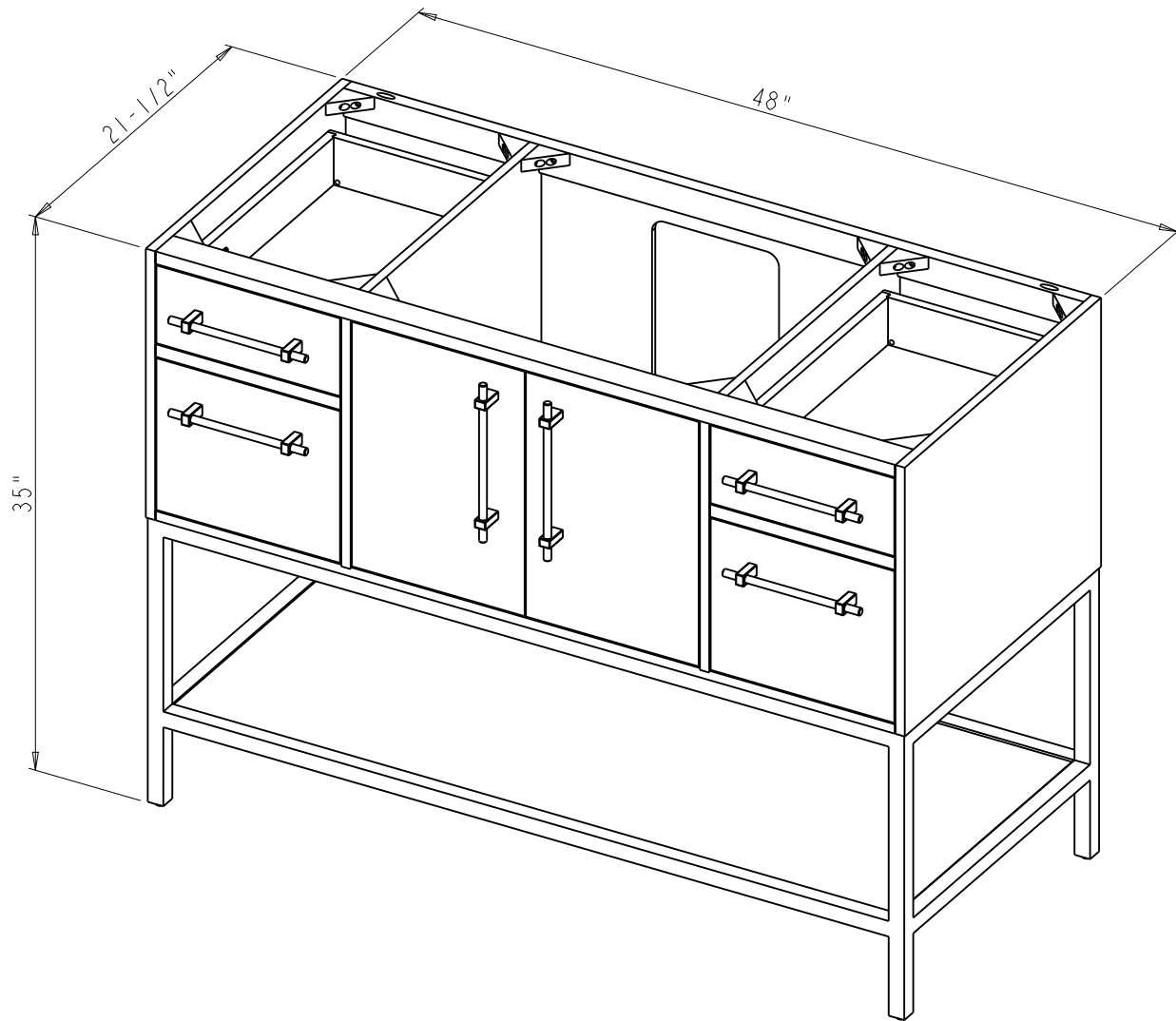
Metal leg:
Finished: Matte black powder coated



Specification:

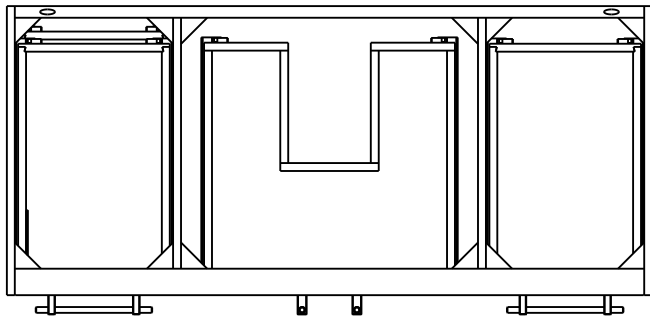
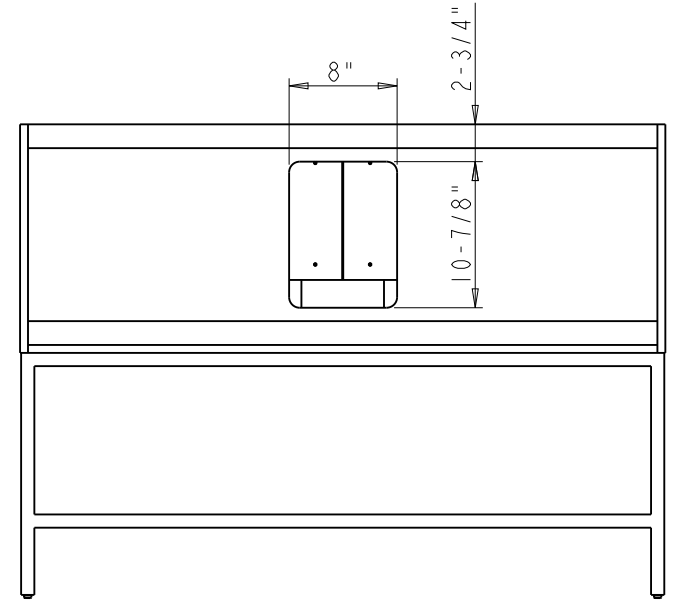
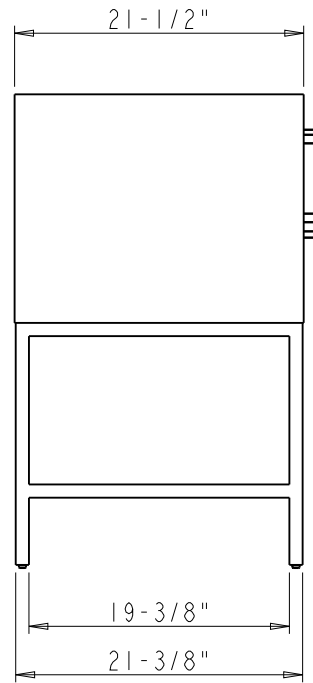
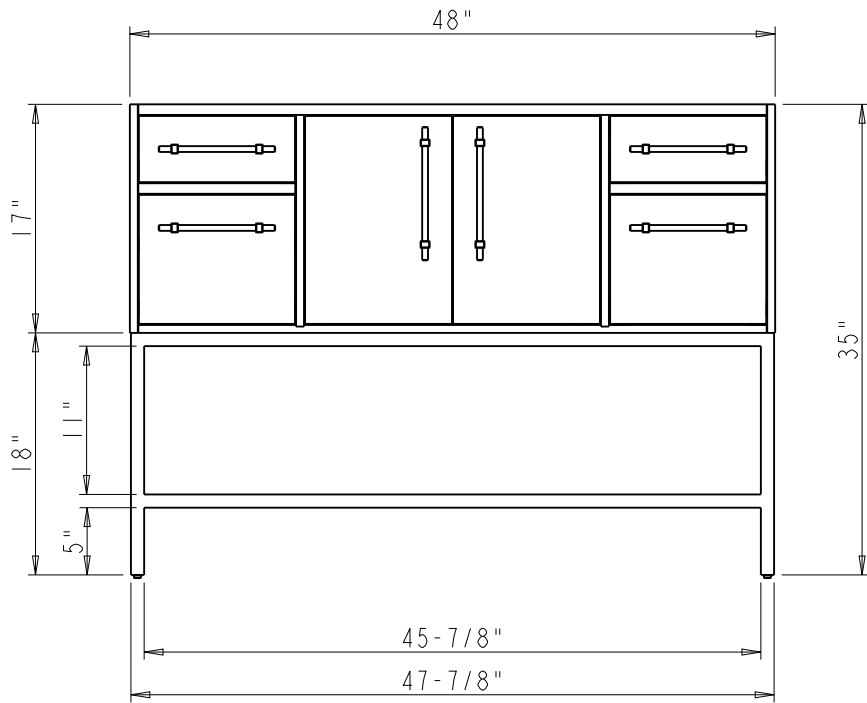
1. Finish: See Table
2. Hardware: See Table
3. Hinge: 700.0537.25 + 600.1234.05 (4 pcs)
4. Slide: USE58-300-18 + USCLIP2ND-4W (6 set)
5. leg levelers (4 pcs)
6. The tolerance is +/- 1/8"

Item number	Finish	Deco Hardware			
		Item number	Qty	Item number	Qty
VN2PAS-48-BS-NT	Blue Steel	478-192MB	2	478-160MB	4
VN2PAS-48-DW-NT	Dark Walnut	478-192MBBG	2	478-160MBBG	4
VN2PAS-48-GR-NT	Grey	478-192MB	2	478-160MB	4
VN2PAS-48-NO-NT	Natural Oak	478-192MB	2	478-160MB	4
VN2PAS-48-WG-NT	Weathered Grey	478-192MB	2	478-160MB	4
VN2PAS-48-WH-NT	White	478-192MB	2	478-160MB	4

<p>hardware resources</p> <p>PROPRIETARY AND CONFIDENTIAL</p> <p>THE INFORMATION CONTAINED IN THIS DRAWING IS THE SOLE PROPERTY OF HARDWARE RESOURCES INC. ANY REPRODUCTION IN PART OR AS A WHOLE WITHOUT THE WRITTEN PERMISSION OF HARDWARE RESOURCES INC. IS PROHIBITED.</p> <p>DO NOT SCALE DRAWING</p>	ITEM#: VN2PAS-48	MATERIAL:	
	FINISH:	WEIGHT:	
	TOLERANCE UNLESS OTHERWISE SPECIFIED: X ±0.20 X.X ±0.10 X.XX ±0.05 ANGULAR: ±0.5°	UNITS:	DATE: Dec-18-22
	SIZE:	APPROVED BY: Hugo.cai	DATE:
SHEET:	RELEASE LEVEL:	REVISION:	



	ITEM#: VN2PAS - 48		MATERIAL:		
	FINISH:		WEIGHT: 9		
<p>PROPRIETARY AND CONFIDENTIAL</p> <p>THE INFORMATION CONTAINED IN THIS DRAWING IS THE SOLE PROPERTY OF HARDWARE RESOURCES INC. ANY REPRODUCTION IN PART OR AS A WHOLE WITHOUT THE WRITTEN PERMISSION OF HARDWARE RESOURCES INC. IS PROHIBITED.</p>	PROJECTION 		DATE: Dec - 18 - 22		
	TOLERANCE UNLESS OTHERWISE SPECIFIED:		UNITS:	DRAWN BY: <i>Hugo.cai</i>	DATE:
	X ±0.20		SIZE:	APPROVED BY:	DATE:
	X.X ±0.10		SHEET:	RELEASE LEVEL:	REVISION:
X.XX ±0.05		DO NOT SCALE DRAWING			
ANGULAR: ±0.5°					



	ITEM#: VN2PAS-48	MATERIAL:
	FINISH:	WEIGHT:
PROPRIETARY AND CONFIDENTIAL THE INFORMATION CONTAINED IN THIS DRAWING IS THE SOLE PROPERTY OF HARDWARE RESOURCES INC. ANY REPRODUCTION IN PART OR AS A WHOLE WITHOUT THE WRITTEN PERMISSION OF HARDWARE RESOURCES INC. IS PROHIBITED.	TOLERANCE UNLESS OTHERWISE SPECIFIED: X ±0.20 X.X ±0.10 X.XX ±0.05 ANGULAR: ±0.5°	UNITS: DRAWN BY: DATE:
	DO NOT SCALE DRAWING	APPROVED BY: RELEASE LEVEL: