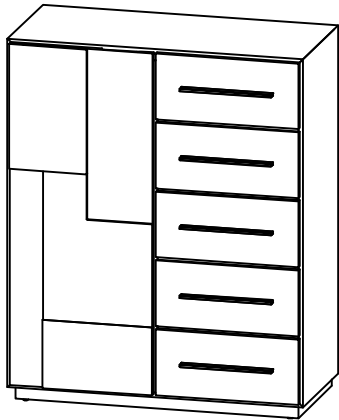
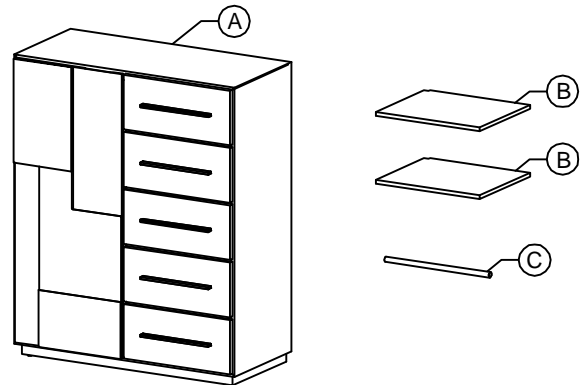


DESTINATION SWEATER CHEST ASSEMBLY INSTRUCTIONS




PARTS AND FITTING PACKAGING DETAIL

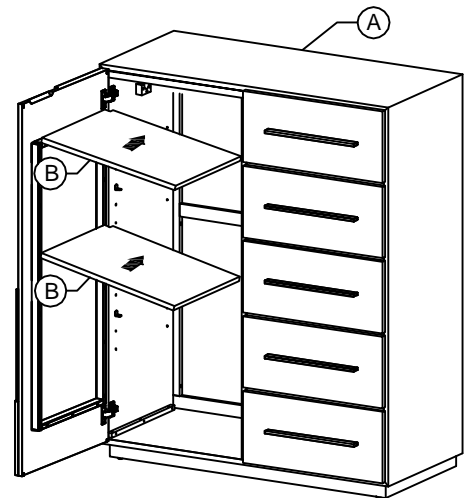
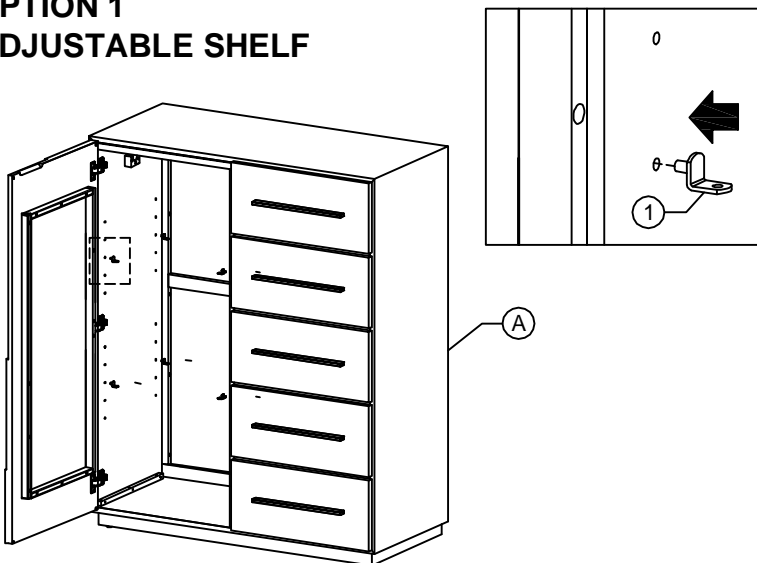
- A. BODY 1PC
- B. ADJUSTABLE SHELF 2PCS
- C. WOOD HANGER 1PC
- HEADBOARD HARDWARE BOX



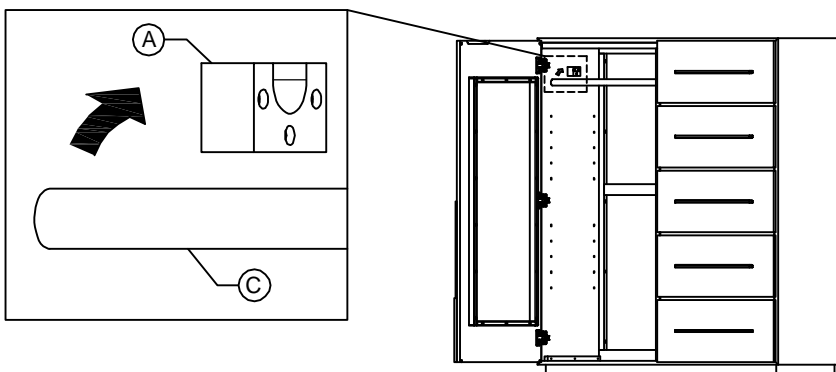
HARDWARE PACKED IN BOX

1	SHELF SUPPORT		8 PCS
---	---------------	---	-------

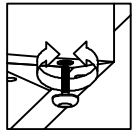
OPTION 1 ADJUSTABLE SHELF



OPTION 2 WOOD HANGER



INSTRUCTIONS FOR ADJUSTING LEVELER AND DOOR:

- Adjust levelers as needed for uneven flooring 
- Adjust door gap
 1. Use screw **A** to move door left or right
 2. Use screw **B** to move door front or back
 If unable to reach desired position, re-leveler and adjust again 