

Outline size: 617\*541\*R10 mm

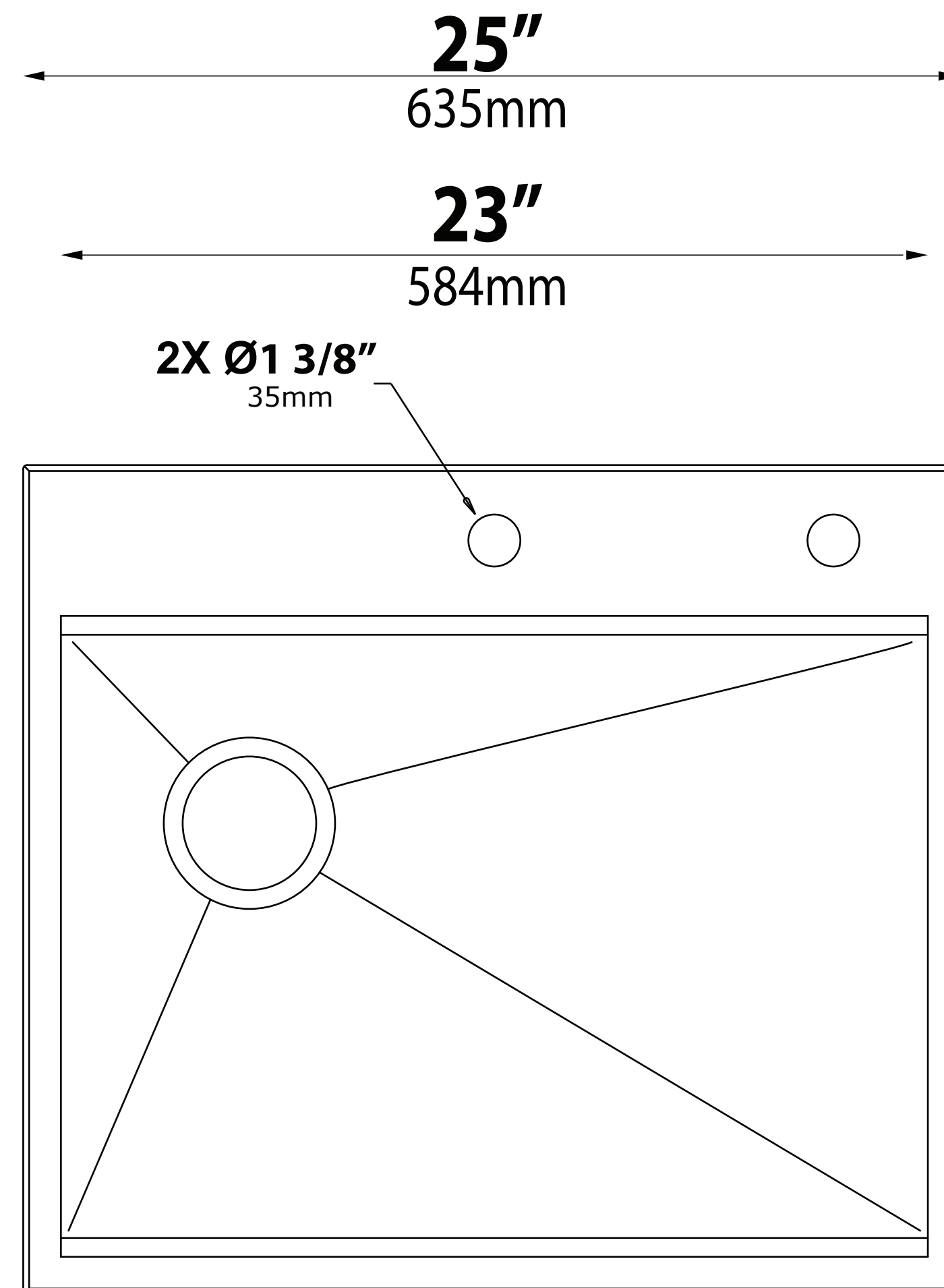
# Kräus®

www.kraususa.com

**Model No.**  
**KWT321-25/18**

**Top Mount Cut-out**

Pro Hotline: 516.801.8955  
Customer Service: 800.775.0703



**NOTE:** Cutout template is provided as a guide **ONLY** and must be checked against actual sink to verify correct fit.