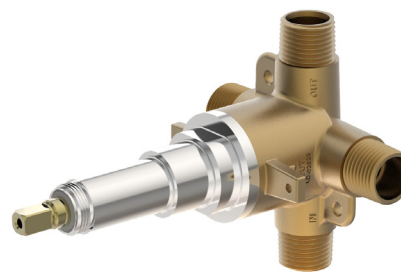




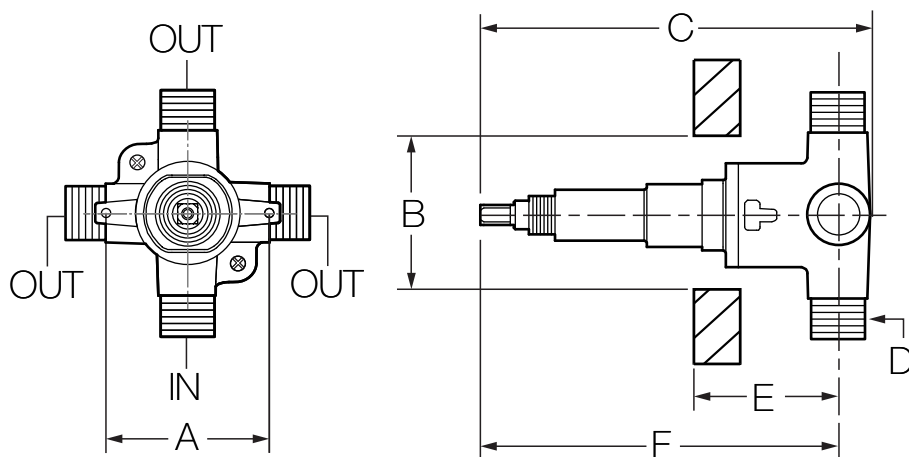
Location:



## 3DIVBODYSRT Triple Outlet Diverter Valve Body Specification Submittal

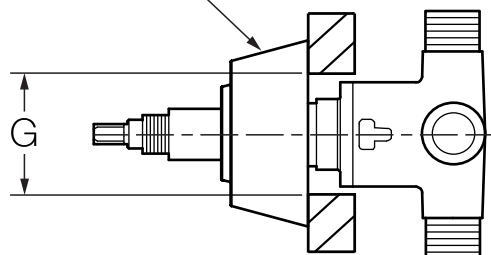
<p><b>Feature Highlights</b></p> <ul style="list-style-type: none"> <li>• Symmons triple outlet diverter valve</li> <li>• Shared functionality in two positions with defined detents</li> <li>• 3 discreet positions and 3 shared positions</li> <li>• Male IPS and sweat inlet/outlet connections</li> <li>• Inlet/outlet connections in common plane</li> <li>• Components shall be metal construction</li> <li>• 360 degree handle rotation</li> </ul>	<p><b>Compliance</b></p> <ul style="list-style-type: none"> <li>• ASME A112.18.1/CSA B125.1</li> </ul> 
<p><b>Model Numbers</b></p> <ul style="list-style-type: none"> <li>□ <b>3DIVBODYSRT</b> Symmons Triple Outlet Diverter Valve Body</li> </ul>	<p><b>Warranty</b></p> <p><b>Limited Lifetime</b> - to the original end purchaser in consumer/residential installations.  <b>10 Years</b> - for commercial/industrial installations. Refer to <a href="http://www.symmons.com/warranty">www.symmons.com/warranty</a> for complete warranty information.</p> 

### Dimensions



Measurements	
A	2-5/8", 67 mm
B	Hole Size Min. Ø 3", 76 mm Max. Ø 3-1/4", 83 mm
C	5-1/4", 133 mm
D	(4x) 1/2" male IPS & (4x) 1/2" female sweat
E	See note 1
F	4-7/8", 124 mm
G	Hole Size Min. Ø 1-3/4", 44 mm Max. Ø 1-7/8", 48 mm <b>LD-15A Escutcheon:</b> 2DIV Temptrol Commercial Safetymix Visu-Temp

LD-15A Escutcheon



#### Notes:

- 1) Figure is determined by style of trim attached to shower valve.  
See rough-in dimension drawing for shower valve application with diverter valve.
- 2) Dimensions subject to change without notice.