



Manufactured by:
Backyard Discovery
3305 Airport Drive, Pittsburg, KS
66762 800-856-4445

Basepoint Business Centre: Rivermead Drive, Westlea, Swindon SN5 7EX Phone: 0800-118-2476
J.P. Coenstraat 7, The Bridge, The Hague, 2595 WP, Netherlands Phone: 08005678990

14x14 LODGE GAZEBO

MODEL # : 2506060



Please visit www.backyarddiscovery.com
For the most up to date assembly manual, to register your product, or to order replacement parts *Para obtener instrucciones en español, visite*
www.backyarddiscovery.com



EASY STEP-BY-STEP
3D INTERACTIVE INSTRUCTIONS
DOWNLOAD THE FREE APP



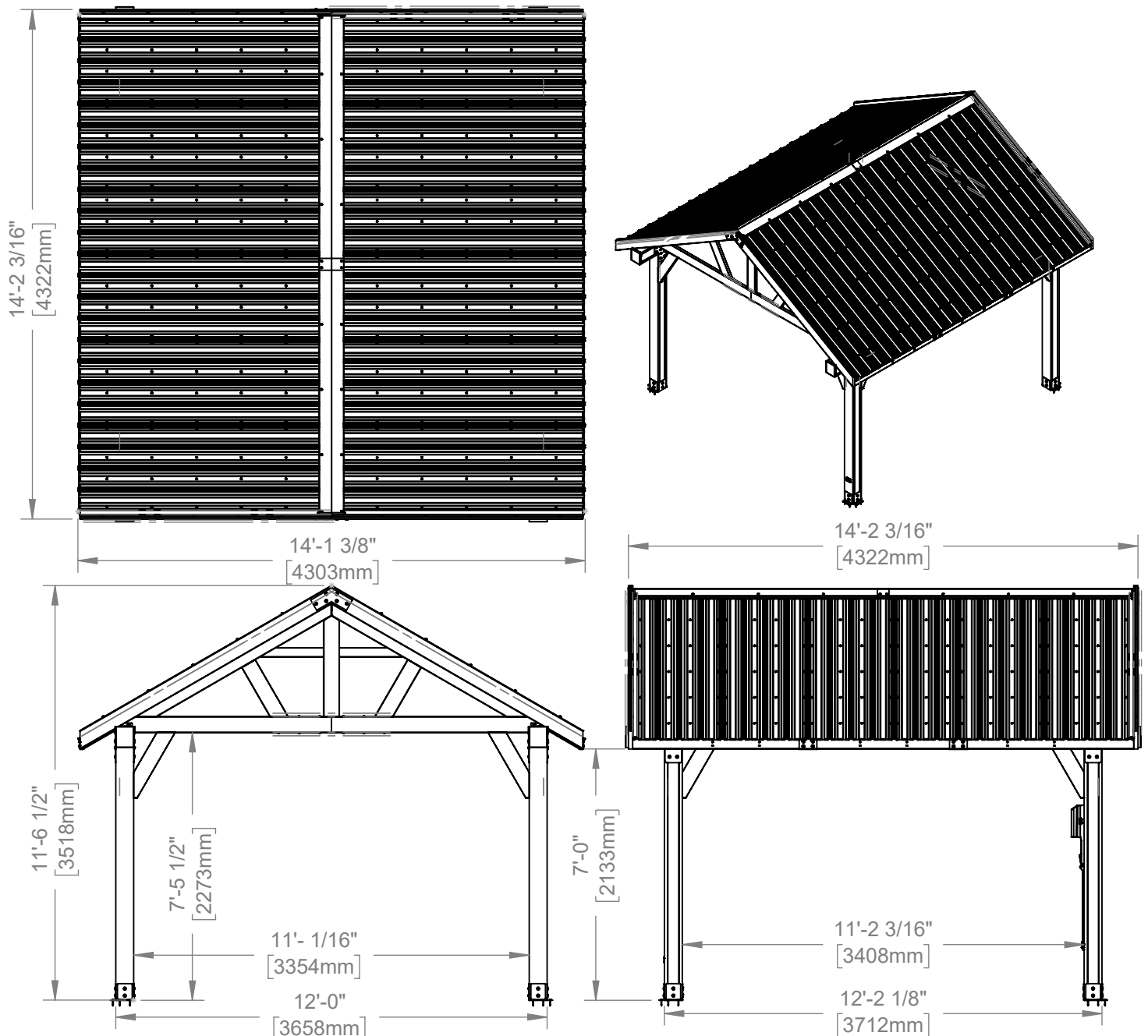
OWNER'S MANUAL - BASIC SETUP DIMENSIONS & ASSEMBLY NOTES

It is critically important that you start with square and level footings or concrete pad to attach your structure

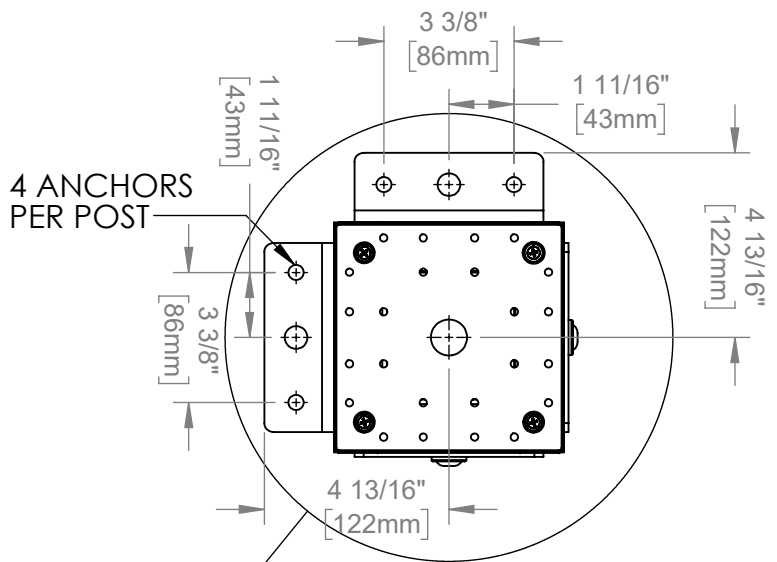
- Pay close attention to the items needed for each step. Make sure you are using the correct hardware for each step. Using incorrect hardware may result in improper assembly
- Remember to double check for underground utilities and overhead electrical lines

Post mounts are provided with your structure which allows you to permanently install your structure to a pre-existing or new wood or concrete surface. See Anchor Instructions for further details and recommendations.

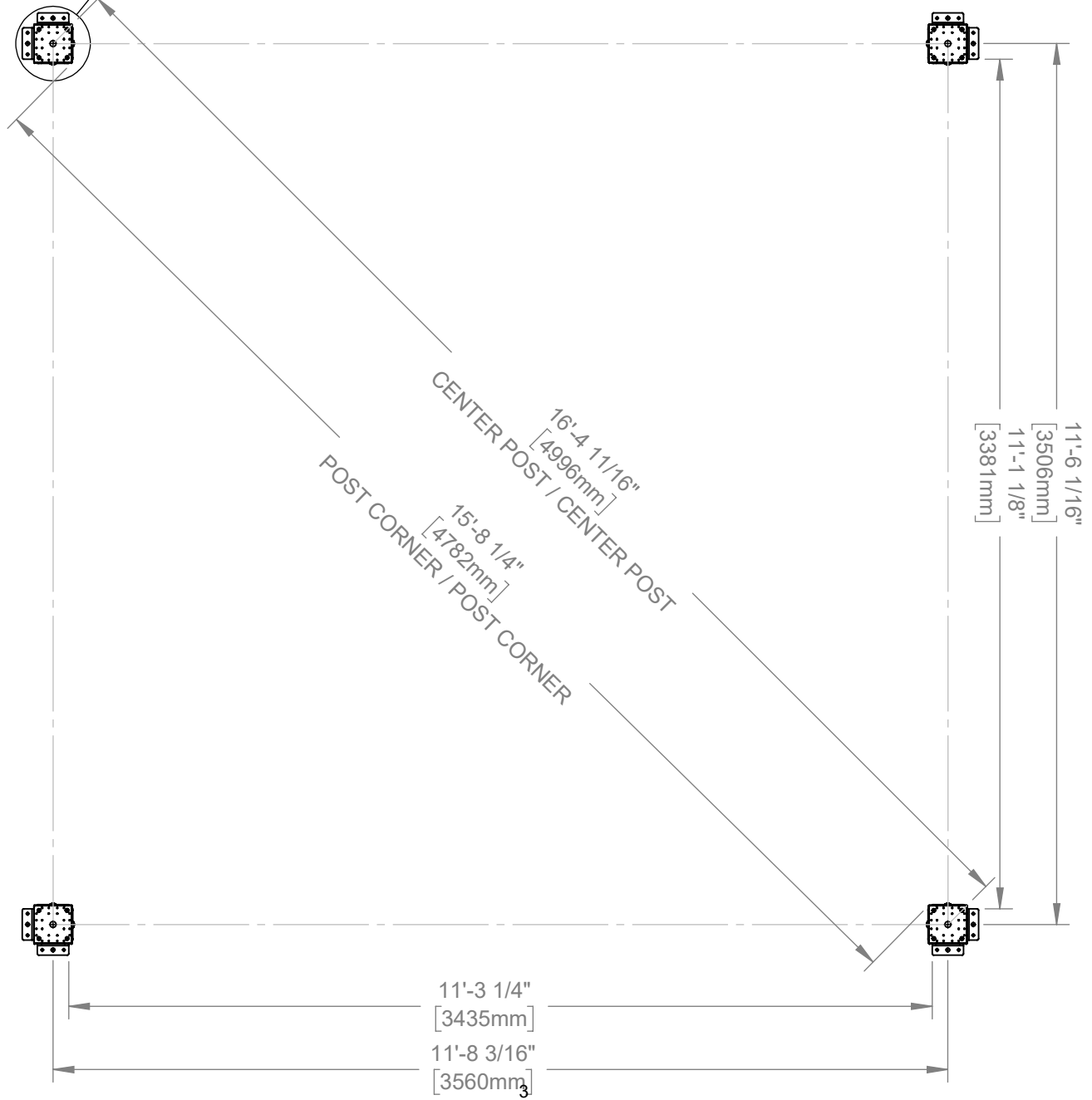
- The hardware to attach the post mounts to the structure is included.
- The hardware to mount the structure permanently to a concrete surface is included.
- The hardware to mount the structure permanently to a wood deck is NOT included and will need to be purchased separately. You must ensure there is ample structural support under the deck before permanently attaching.



OWNER'S MANUAL - ANCHORING LAYOUT



NOTE: DIMENSIONS ARE TO ANCHOR PLATES MOUNTED TO POSTS EXCEPTER WHERE NOTED.



OWNER'S MANUAL - PARTS IDENTIFICATION

Wood Components (NOT TO SCALE)



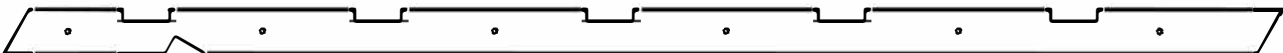
D01 FASCIA - W4L21164
(x2) 1 7/16"x5 1/4"x100" (36x134x2540)



D02 FASCIA - W4L21175
(x2) 1 7/16"x5 1/4"x100" (36x134x2540)



E03 TRIMBOARD - W4L21551
(x3) 7 5/16"x3 3/8"x58 9/16" (36x86x1488)



E04 RAFTER - W4L21176
(x8) 1 7/16"x3 3/8"x95 1/16" (36x86x2414)



E05 TRIM BOARD W/ PRODUCT ID - W2A04657
(x1) 1 1/2"x3 3/8"x58 9/16" (39x86x1488)



E08 RAFTER - W4L21799
(x8) 1 7/16"x3 3/8"x95 1/16" (36x86x2414)



E09 TRIM BOARD - W4L21840
(x2) 11 1/2"x3 3/8"x50 3/16" (36x86x1274)



E10 RAFTER - W4L21934
(x4) 1 7/16"x3 3/8"x95 1/16" (36x86x2414)



H01 PURLIN - W4L21550
(x20) 15/16"x3 3/8"x58 1/2" (24x86x1486)



H02 PURLIN - W4L21803
(x10) 15/16"x3 3/8"x50 1/16" (24x86x1272)



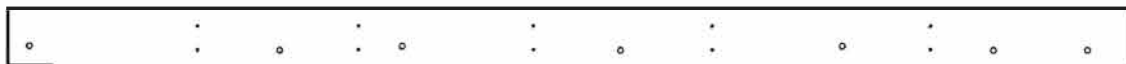
J02 RIDGE CAP STIFFENER - W4L21554
(x2) 15/16"X2 3/8"X71 3/8" (24x60x1812)



J03 RIDGE CAP STIFFENER - W4L21555
(x2) 15/16"X2 3/8"X95 1/2" (24x60x2427)



AD01 RIDGE SUPPORT - W4L21548
(x1) 15/16"x4"x50 3/16" (24x102x1274)



AD02 PEAK SUPPORT - W4L21552
(x1) 15/16"x4"x81 1/8" (24x102x2061)

OWNER'S MANUAL - PARTS IDENTIFICATION

Wood Components (NOT TO SCALE)



AD03 PEAK SUPPORT - W4L21546
(x1) 15/16"x4"x62 1/16" (24x102x1576)



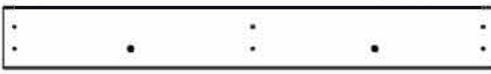
AD04 PEAK SUPPORT - W4L21553
(x1) 15/16"x4"x79 3/4" (24x102x2025)



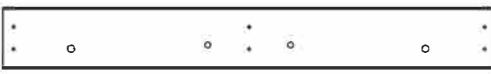
AD05 PEAK SUPPORT - W4L21547
(x1) 15/16"x4"x63 7/16" (24x102x1612)



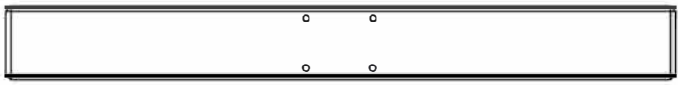
AD06 RIDGE SUPPORT - W4L21549
(x1) 15/16"x4"x50 3/16" (24x102x1274)



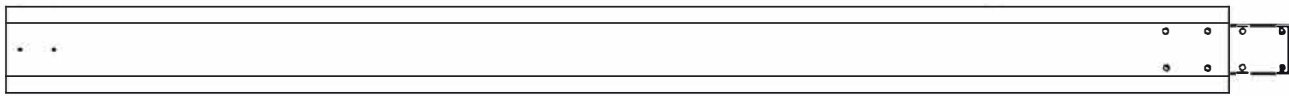
AD07 RIDGE SUPPORT - W4L21801
(x2) 15/16"x4"x32 11/16" (24x102x830)



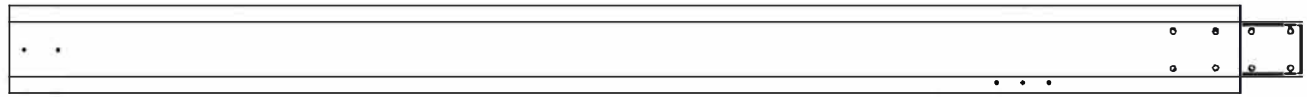
AD08 RIDGE SUPPORT - W4L21802
(x2) 15/16"x4"x32 11/16" (24x102x830)



BS01 BEAM SPLICE - W4L21556
(x2) 3 3/8"x4 3/8"x39 3/8" (87x112x1000)



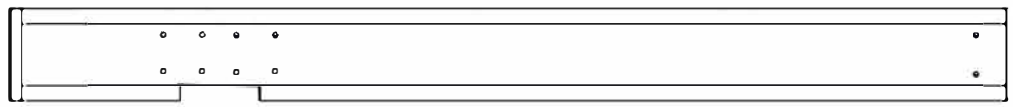
P01 POST - W2A04544
(x2) 6"x6"x89 3/8" (152x152x2270)



P02 POST - W2A04545
(x2) 6"x6"x89 3/8" (152x152x2270)



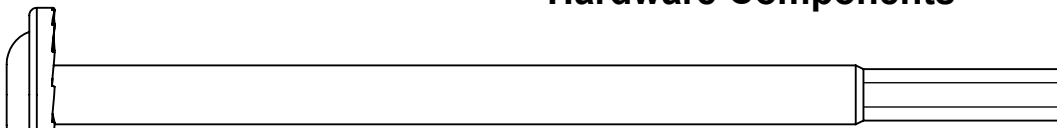
P03 BEAM - W2A04655
(x2) 6"x6 15/16"x86" (152x177x2185)



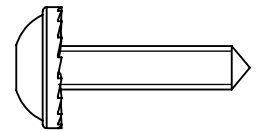
P04 BEAM - W2A04656
(x2) 6"x6 15/16"x86" (152x177x2185)

OWNER'S MANUAL - PARTS IDENTIFICATION

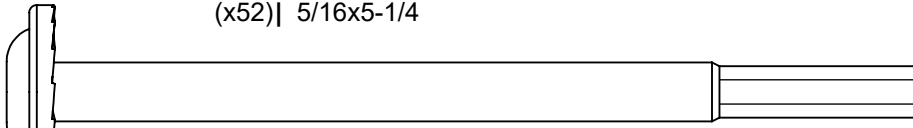
Hardware Components



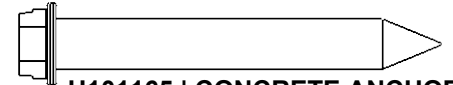
H100972 | BOLT WH BLK
(x52) | 5/16x5-1/4



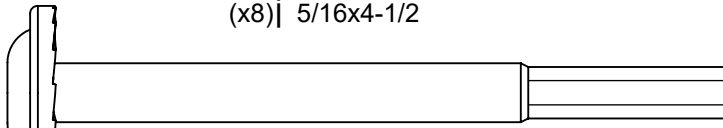
H100460 | LAG SCREW WH BLK
(x40) | 1/4x1



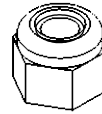
H100534 | BOLT WH BLK
(x8) | 5/16x4-1/2



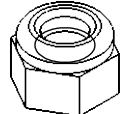
H101165 | CONCRETE ANCHOR
(x16) | 3/8x3



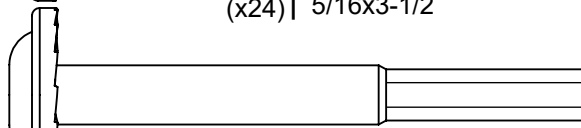
H100503 | BOLT WH BLK
(x24) | 5/16x3-1/2



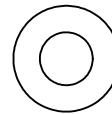
H100653 | NUT LOCK BLK
(x12) | 1/4



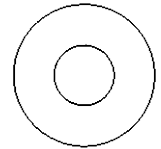
H100479 | NUT LOCK BLK
(x42) | 5/16



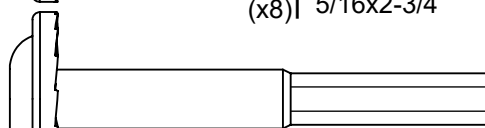
H100195 | BOLT WH BLK
(x8) | 5/16x2-3/4



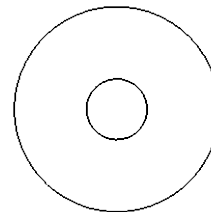
H101133 | WASHER FLAT BLK
(x4) | 7x14



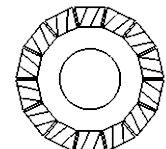
H100630 | WASHER FLAT BLK
(x18) | 8x19



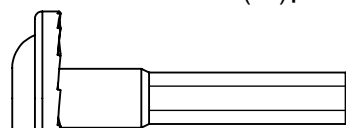
H100205 | BOLT WH BLK
(x8) | 5/16x2-1/4



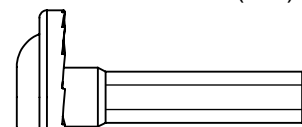
H100478 | WASHER FLAT BLK
(x32) | 8x27



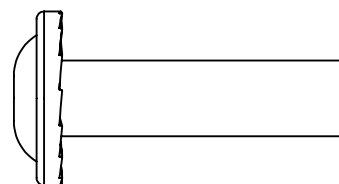
H100198 | WASHER LOCK EXT BLK
(x38) | 8x19



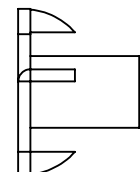
H100407 | BOLT WH BLK
(x16) | 5/16x1-1/2



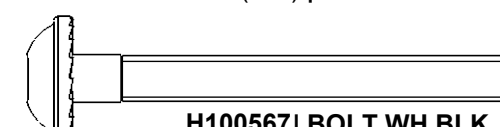
H100459 | BOLT WH BLK
(x12) | 5/16x1-1/4



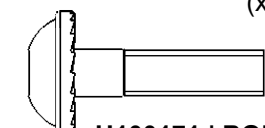
H100193 | NUT BARREL WH BLK
(x52) | 5/16x1-1/2



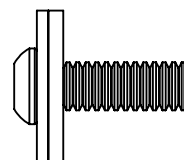
H100379 | T-NUT BLK
(x34) | 5/16



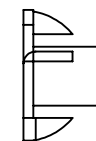
H100567 | BOLT WH BLK
(x8) | 1/4x2-1/4



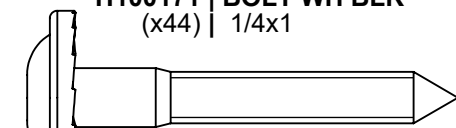
H100171 | BOLT WH BLK
(x44) | 1/4x1



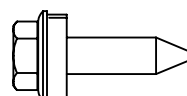
H101202 | TORX PAN HEAD 1/4-20x3/4 ASSY
(x108) | 1/4-20x3/4



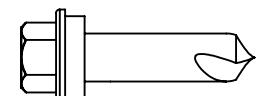
H100398 | T-NUT BLK
(x40) | 1/4



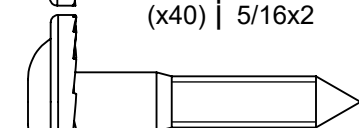
H100458 | LAG SCREW WH BLK
(x40) | 5/16x2



H101117 | SCREW WOODGRIP BLK
(x250) | 10x3/4



H101116 | SCREW SELF TAPPING BLK
(x20) | 1/4 x 1



H100471 | LAG SCREW WH BLK
(x48) | 5/16x1-1/2

OWNER'S MANUAL - PARTS IDENTIFICATION

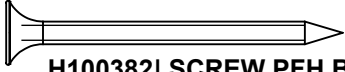
Hardware Components



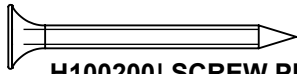
H100201 | SCREW PFH BLK
(x40) | 8x2-1/2



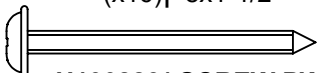
H100391 | SCREW PFH BLK
(x244) | 8x2



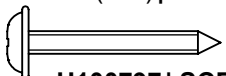
H100382 | SCREW PFH BLK
(x22) | 8x1-3/4



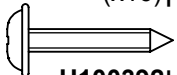
H100200 | SCREW PFH BLK
(x16) | 8x1-1/2



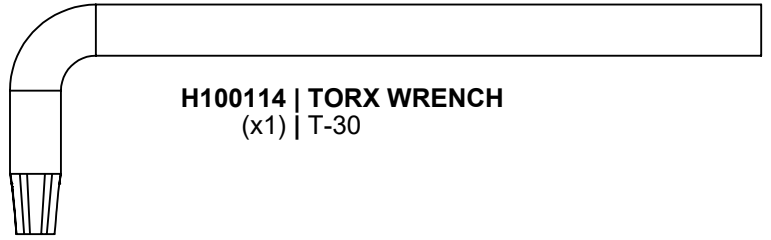
H100823 | SCREW PWH BLK
(x24) | 8x1-1/2



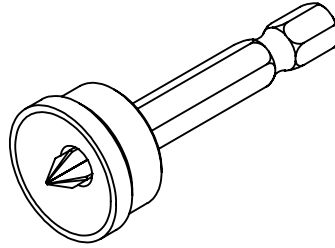
H100797 | SCREW PWH BLK
(x16) | 8x1



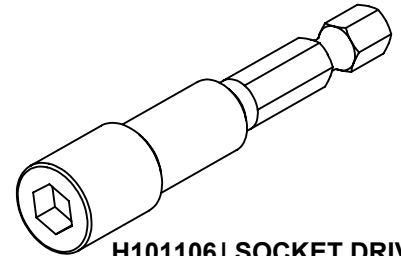
H100392 | SCREW PWH BLK
(x22) | 8x3/4



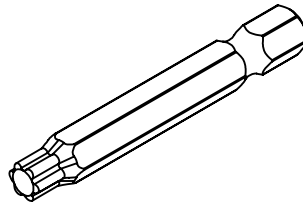
H100114 | TORX WRENCH
(x1) | T-30



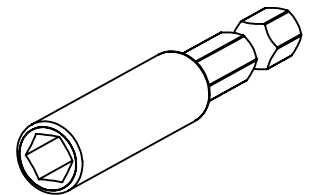
H100764 | SCREW SETTER
(x1) |



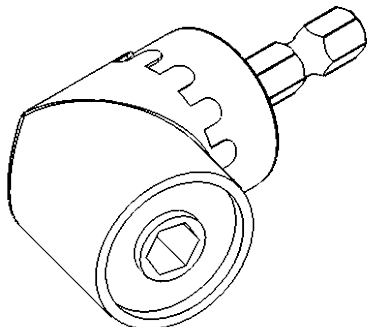
H101106 | SOCKET DRIVER
(x1) |



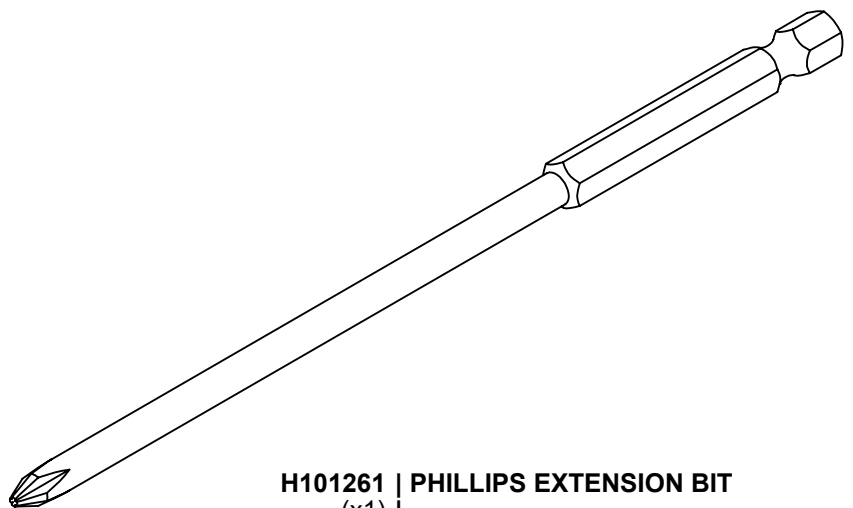
H100147 | TORX BIT
(x1) | T-30



H101100 | MAGNETIC DRIVER
(x1) |



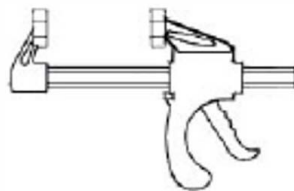
**H101114 | RIGHT ANGLE DRILL
ADAPTER**
(x1) |



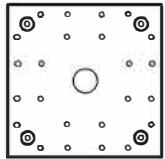
H101261 | PHILLIPS EXTENSION BIT
(x1) |

OWNERS MANUAL - PARTS IDENTIFICATION

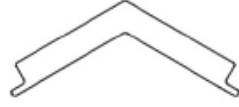
Accessory Components (NOT TO SCALE)



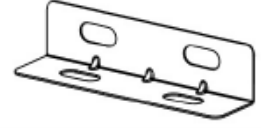
A6P00460 6" QUICK RELEASE BAR CLAMP (x2)



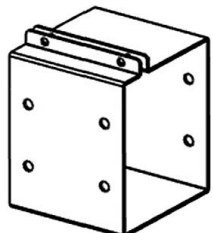
A6P00308 6x6 POST FOOT (x4)



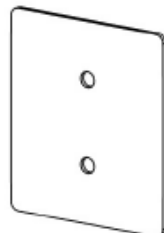
A6P00693 RIDGE CAP PROTECTOR (x2)



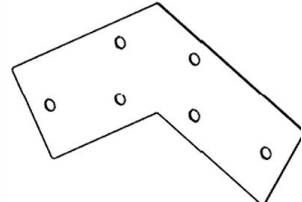
A4M04324 GABLE BEAM BRACE (x8)



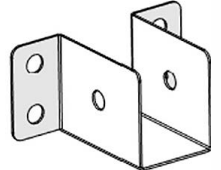
A4M04909 BEAM BAND (x2)



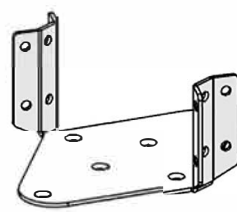
A4M00978 POST PLATE (x8)



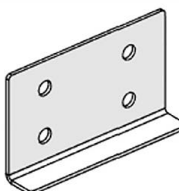
A4M02086 GABLE BRACKET (x2)



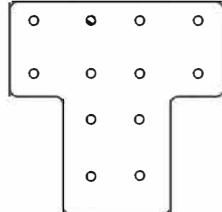
A4M04905 RIDGE CLIP (x2)



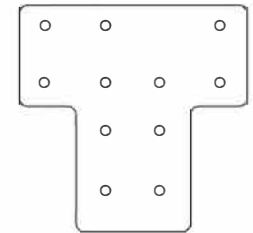
A4M02501 FAN MOUNT BRACKET (x1)



A4M01560 OUTSIDE TIE BRACKET (x4)



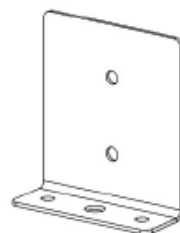
A4M04104 POST SUPPORT BRACKET (x4)



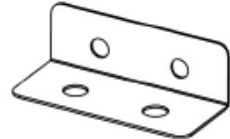
A4M04906 POST SUPPORT BRACKET (x4)



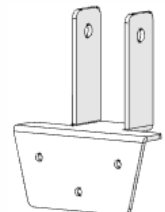
9205413 ELECTRICAL ENCLOSURE (x1)



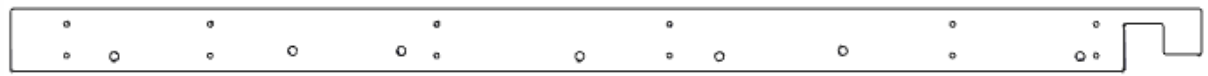
A4M00977 POST ANCHORING PLATE (x8)



A4M04154 PURLIN SUPPORT BRACKET (x20)



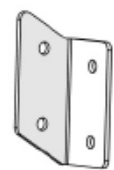
A4M05398 RAFTER CLIP (x8)



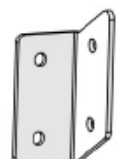
A4M04901 RIDGE PLATE (x1)



A4M04902 RIDGE PLATE (x1)



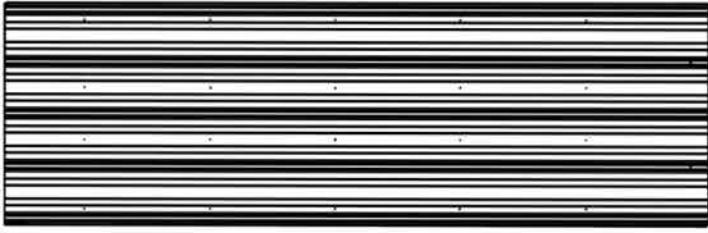
A4M04907 FASCIA BRACKET (x2)



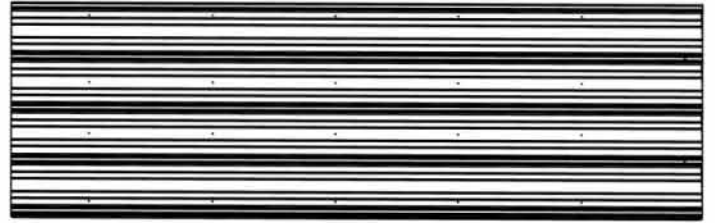
A4M04908 FASCIA BRACKET (x2)

OWNERS MANUAL - PARTS IDENTIFICATION

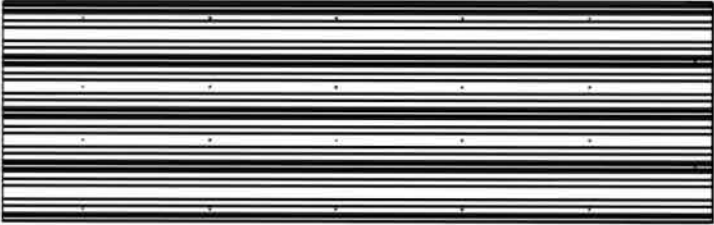
Metal Components (NOT TO SCALE)



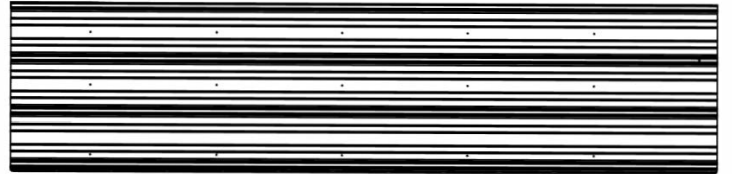
A4M04160 29GA STEEL SHEETING
(x8)



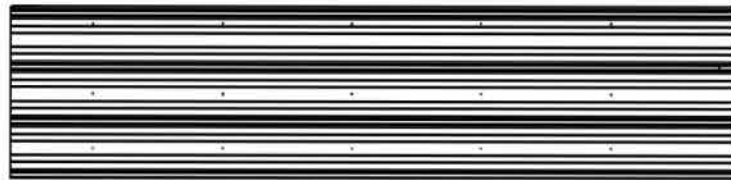
A4M05349 29GA STEEL SHEETING
(x1)



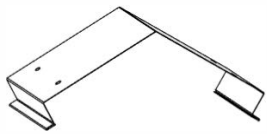
A4M04903 29GA STEEL SHEETING
(x1)



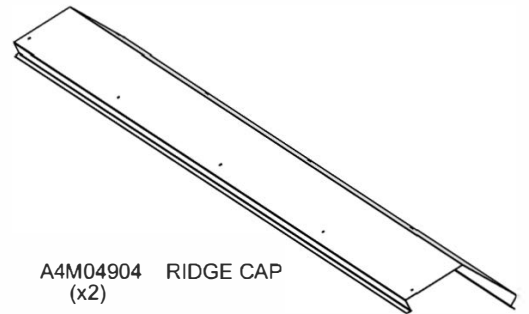
A4M05348 29GA STEEL SHEETING
(x1)



A4M04330 29GA STEEL SHEETING
(x1)



A4M04328 RIDGE CAP SPLICE
(x1)



A4M04904 RIDGE CAP
(x2)



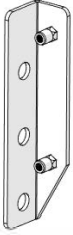
A4M04325 ROOF END TRIM
(x2)



A4M04326 ROOF END TRIM
(x2)

OWNERS MANUAL - PARTS IDENTIFICATION

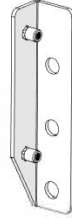
Metal Components (NOT TO SCALE)



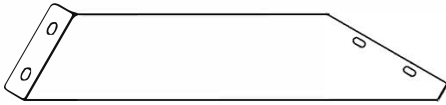
C01 ANGLE BRACE BRACKET - A4M04148
(x6) 1 1/16"x1 1/4"x6" (27x31x152)



R01 RAFTER SUPPORT BRACE - A4M04329
(x2) 1 9/16"x4 3/8"x60 1/8" (40x111x1527)



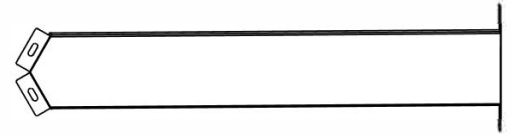
C02 ANGLE BRACE BRACKET - A4M04153
(x6) 1 1/16"x1 1/4"x6" (27x31x152)



C03 ANGLE BRACE - A4M04149
(x2) 1 1/2"x5 15/16"x27 1/16" (38x151x687)



C04 ANGLE BRACE - A4M04150
(x2) 1 1/2"x5 15/16"x27 1/16" (38x151x687)



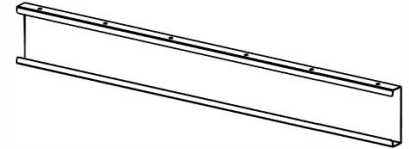
B07 VERTICAL GABLE SUPPORT - A4M04317
(x2) 1 1/2"x9 1/16"x34 11/16" (38x230x882)



C05 ANGLE BRACE - A4M04320
(x2) 1 7/16"x5 5/16"x20 1/16" (36x135x509)



C06 ANGLE BRACE - A4M04321
(x2) 1 7/16"x5 5/16"x20 1/16" (36x135x509)



J1 SPLICE BRACKET - A4M02230
(x2) 1 5/16"x5 3/16"x39 3/8" (33.2x131.2x1000)



B01 GABLE BEAM - A4M04151
(x2) 1 9/16"x5 1/4"x1826 (39x134x1827)



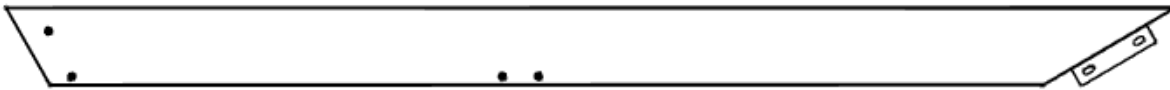
B02 GABLE BEAM - A4M04152
(x2) 1 9/16"x5 1/4"x71 15/16" (39x134x1827)



B08 GABLE SUPPORT - A4M04318
(x2) 1 1/2"x5 15/16"x24 5/8" (38x152x625)



B09 GABLE SUPPORT - A4M04319
(x2) 1 1/2"x5 15/16"x24 5/8" (38x152x625)



B03 GABLE BEAM - A4M04157
(x2) 1 1/2"x5 1/4"x79 1/2" (38x134x2019)



B04 GABLE BEAM - A4M04158
(x2) 1 1/2"x5 1/4"x79 1/2" (38x134x2019)

PRE-ASSEMBLY STEP 1 - SORTING WOOD PARTS

It is critical for ease of assembly that you take the time to sort and organize the wood and hardware.

WOOD PARTS:

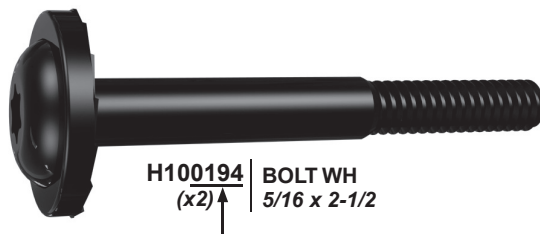
- Organize wood parts by the three-digit, alpha-numeric number stamped on each board (ex. P01).
- If there are multiple boards with the same stamped number, stack those pieces together.
- Stamps can be found on the flat surface of the boards or on the end of the boards.
- Allow yourself plenty of room - the wood pieces can take up a significant amount of space.

NOTE: CARTONS ARE NOT ORGANIZED BY BOARD NUMBER.



HARDWARE PARTS:

- We recommend that you have a separate table to organize the hardware.
- Hardware bags are printed with a seven-digit, alpha-numeric part number.
- You can organize your hardware by part number or group by hardware type (i.e. bolts, nuts, etc.).
- During assembly you only need to reference the last four digits of the number.



PRE-ASSEMBLY STEP 2 - TOOLS REQUIRED



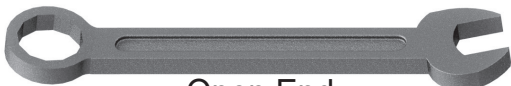
Cordless Drill
or Electric Drill



Drill
Attachments:
Phillips Head



1/8", 3/16", 3/8" &
7/16" Drill Bits



Open End
Wrenches 1/2" &
9/16"



3/8" Drive Ratchet, 1/2" &
7/16" STD Sockets 1/2" & 7/16"
Deep Sockets



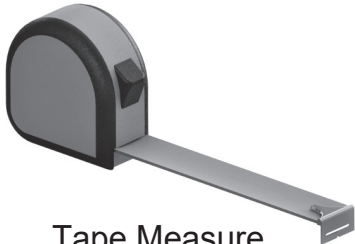
Phillips Screw Driver



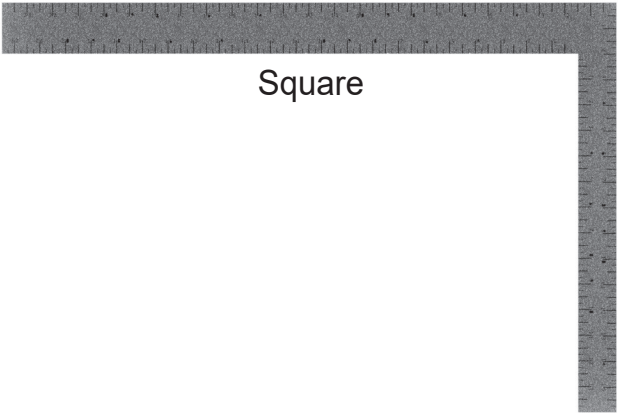
Claw Hammer



Rubber Mallet
- Optional



Tape Measure



Square



Level 24"




8 FOOT LADDER REQUIRED

PRE-ASSEMBLY STEP 3 - CHOOSE YOUR ASSEMBLY METHOD

There are several types of assembly instructions available to you.

1. Printed Assembly Manual included with your set
2. BILT APP - 3D interactive instructions
3. Combination of the Printed Manual and BILT APP (Note: Step numbers can differ between the two methods)



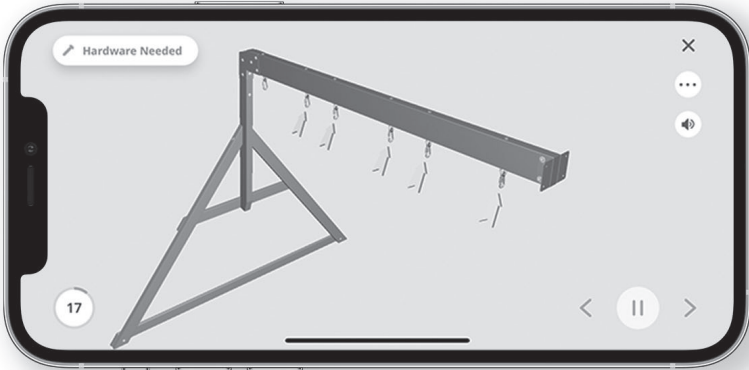
BILT.

Scan for easy
3D instructions

Download the BILT app
before you begin

Download on the
App Store

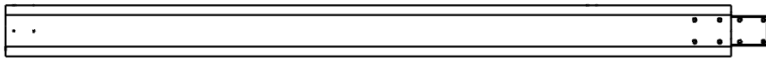
GET IT ON
Google Play



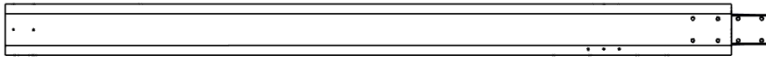
The image shows a smartphone screen displaying the BILT app interface. The screen features a 3D assembly diagram of a metal frame. At the top left, there is a button labeled "Hardware Needed". At the bottom left, a circular icon contains the number "17". At the bottom right, there are navigation icons: a back arrow, a pause button, and a forward arrow. The entire advertisement is enclosed in a grey border.

STEP 1 - POST ASSEMBLY

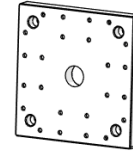
QTY	PART NUMBER	DESCRIPTION
16	H100200	SCREW PFH 8x1 1/2 BLK



P01 POST - W2A04544
(x2) 6"X6"X89 3/8" (152x152x2270)

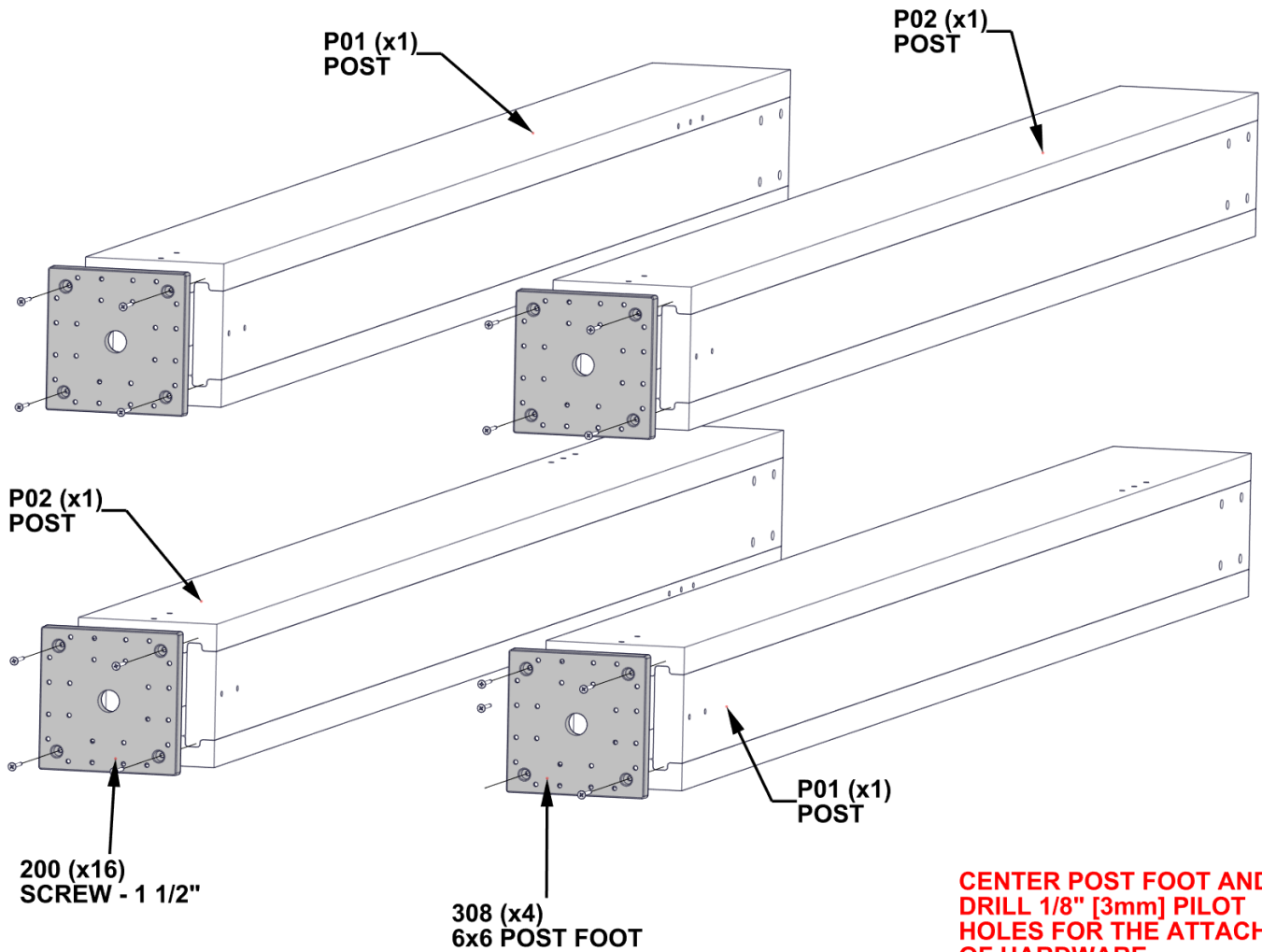


P02 POST - W2A04545
(x2) 6"X6"X89 3/8" (152x152x2270)

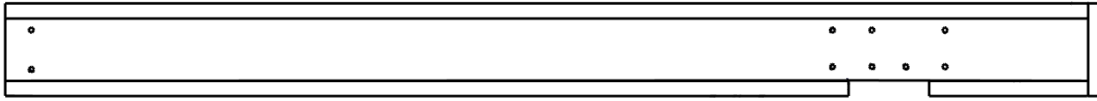


A6P00308 6x6 POST FOOT
(x4)

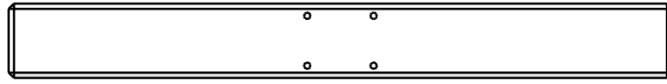
- FOR EASE OF ASSEMBLY, WE RECOMMEND USING SAWHORSES FOR STEPS 1-7.



STEP 2 - BEAM ASSEMBLY

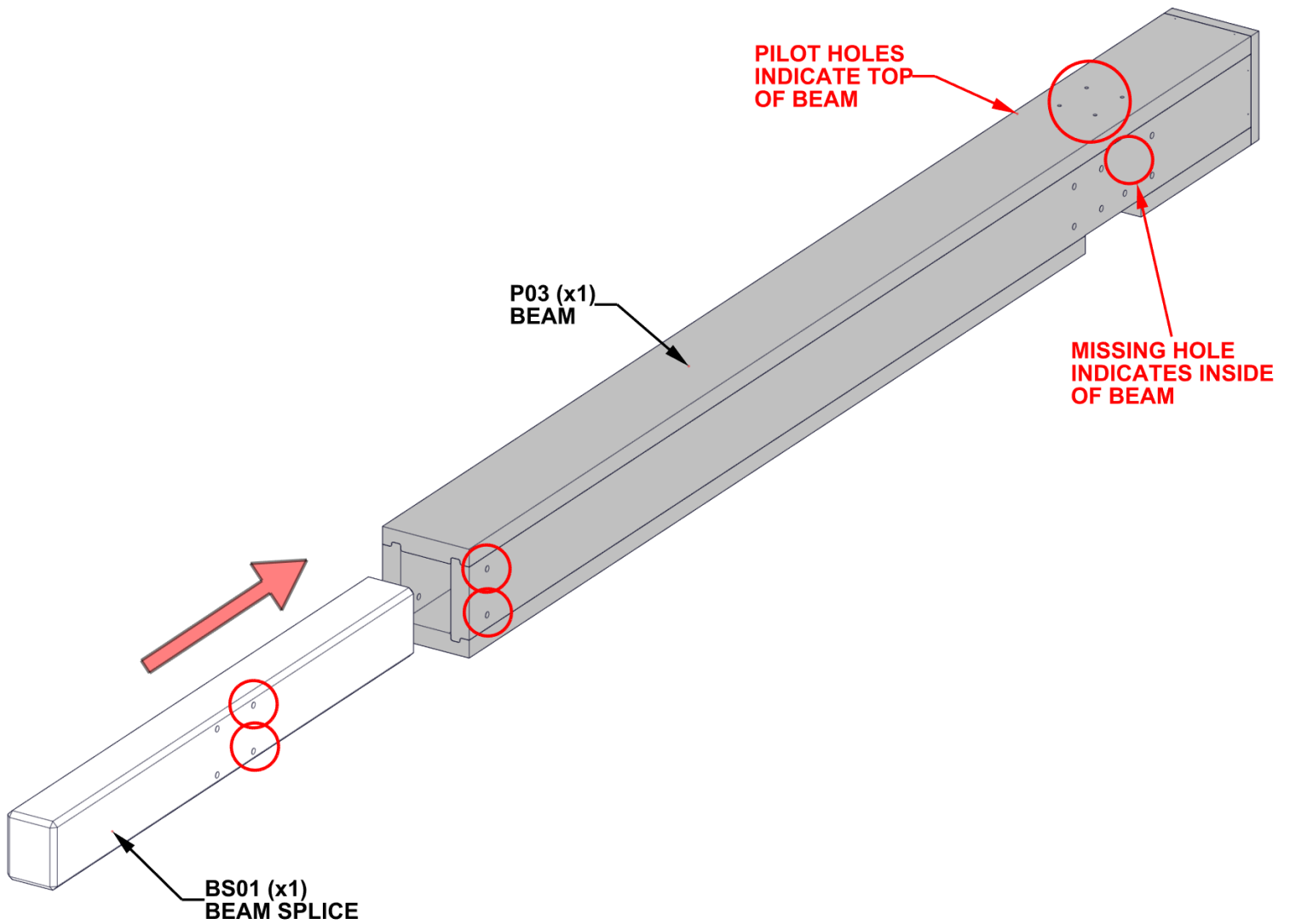


P03 BEAM - W2A04655
(x1) 6"x6 15/16"x86" (152x177x2185)



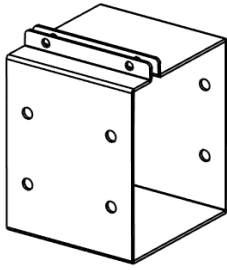
BS01 BEAM SPLICE - W4L21556
(x1) 3 3/8"x4 3/8"x39 3/8" (87x112x1000)

- SLIDE BS01 SPLICE INSIDE P03 BEAM AND ALIGN HOLES CIRCLED IN RED.
- RUBBER Mallet MAY NEED TO BE USED TO TAP PARTS IN PLACE.



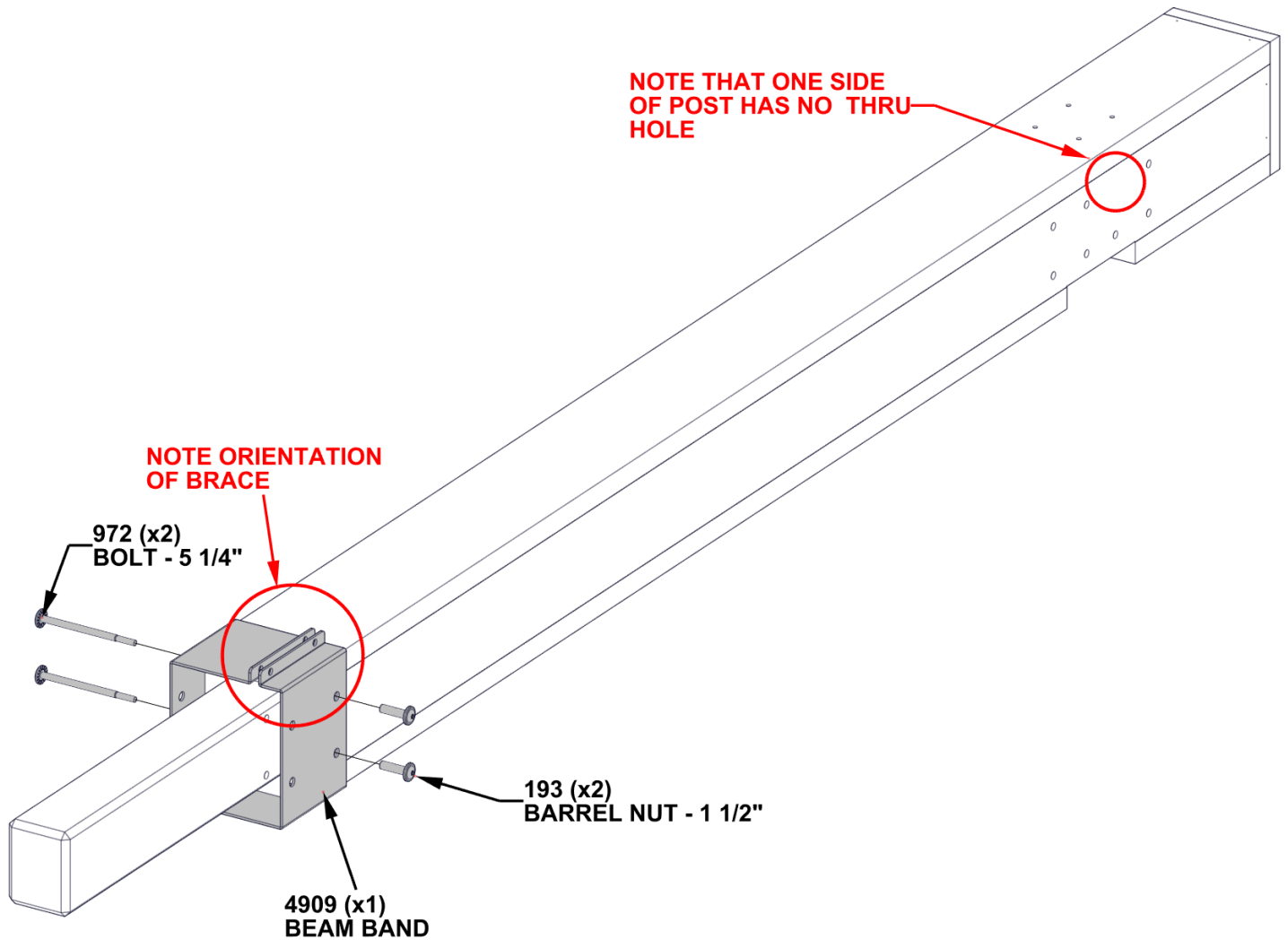
STEP 3 - BEAM ASSEMBLY

QTY	PART NUMBER	DESCRIPTION
2	H100193	NUT BARREL WH 5/16 X 1 1/2 BLK
2	H100972	BOLT WH 5/16x5 1/4 BLK

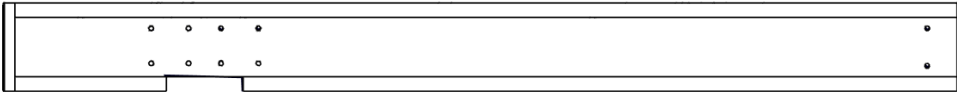


A4M04909 BEAM BAND
(x1)

- LEAVE 363 BOLTS AND 192 BARREL NUTS HAND TIGHTENED.

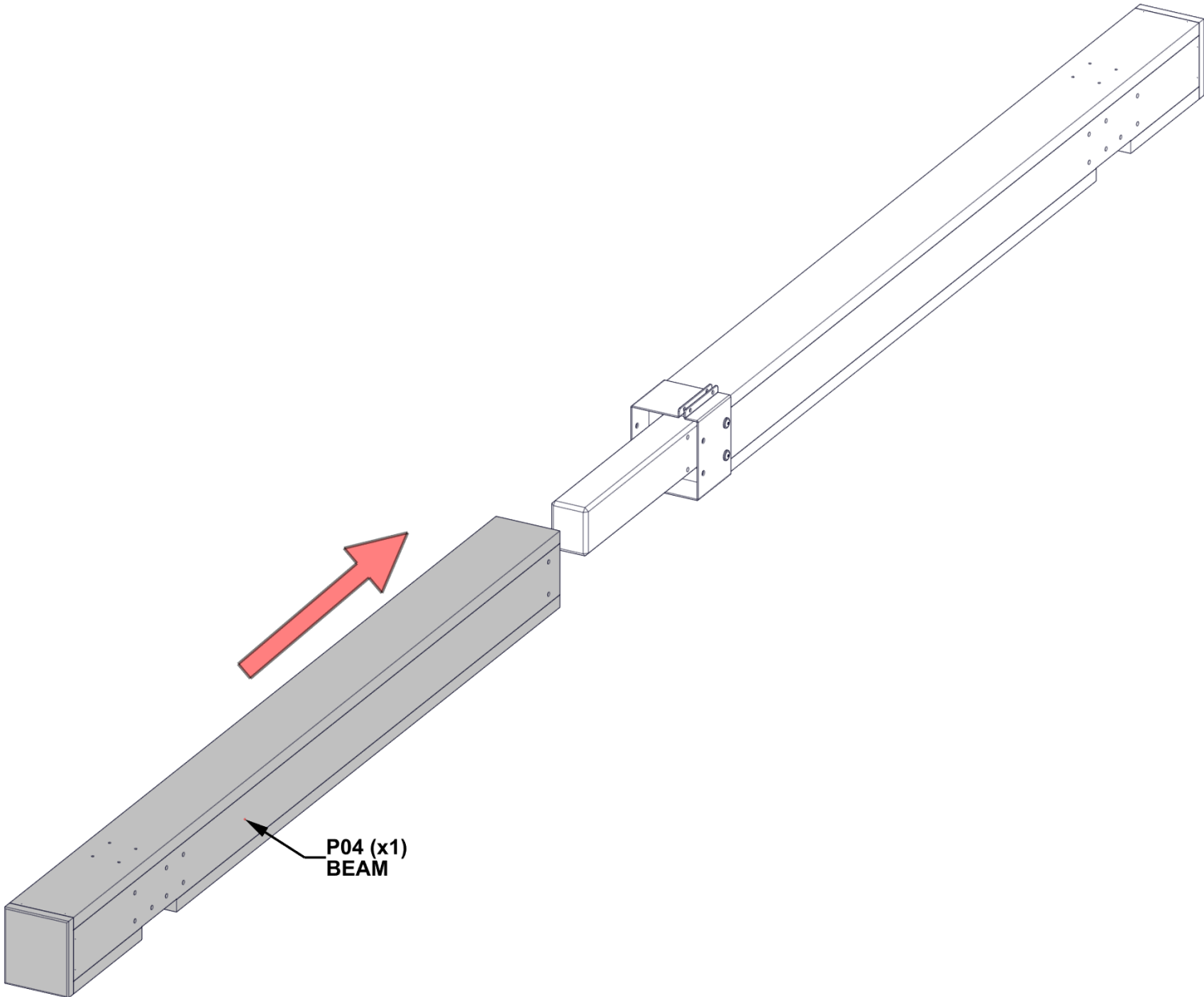


STEP 4 - BEAM ASSEMBLY



P04 BEAM - W2A04656
(x1) 6"x6 15/16"x86" (152x177x2185)

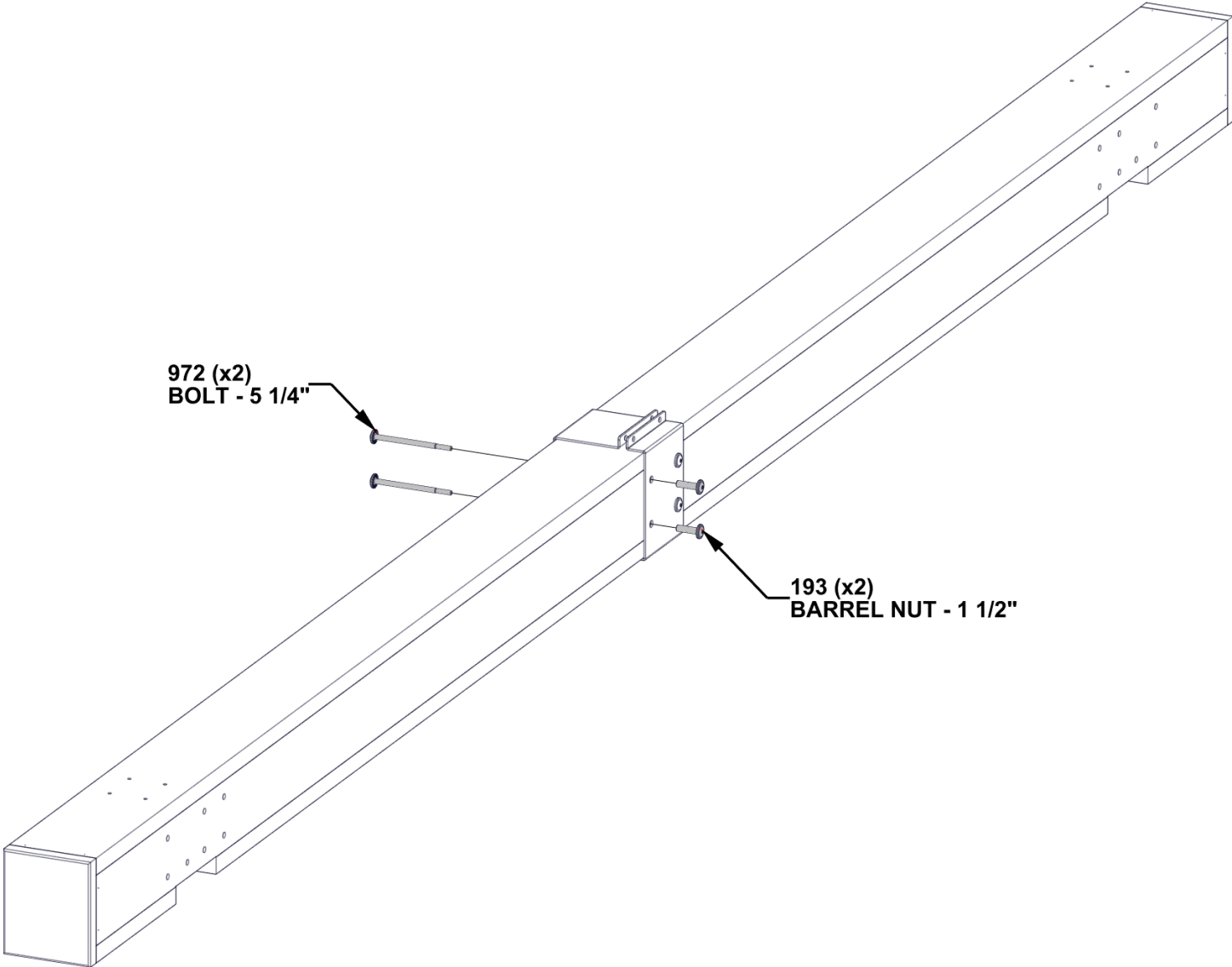
- SLIDE P04 OVER BEAM SPLICE AND ALIGN HOLES IN BEAM BAND AND BEAM SPLICE.



STEP 5 - BEAM ASSEMBLY

QTY	PART NUMBER	DESCRIPTION
2	H100193	NUT BARREL WH 5/16 X 1 1/2 BLK
2	H100972	BOLT WH 5/16x5 1/4 BLK

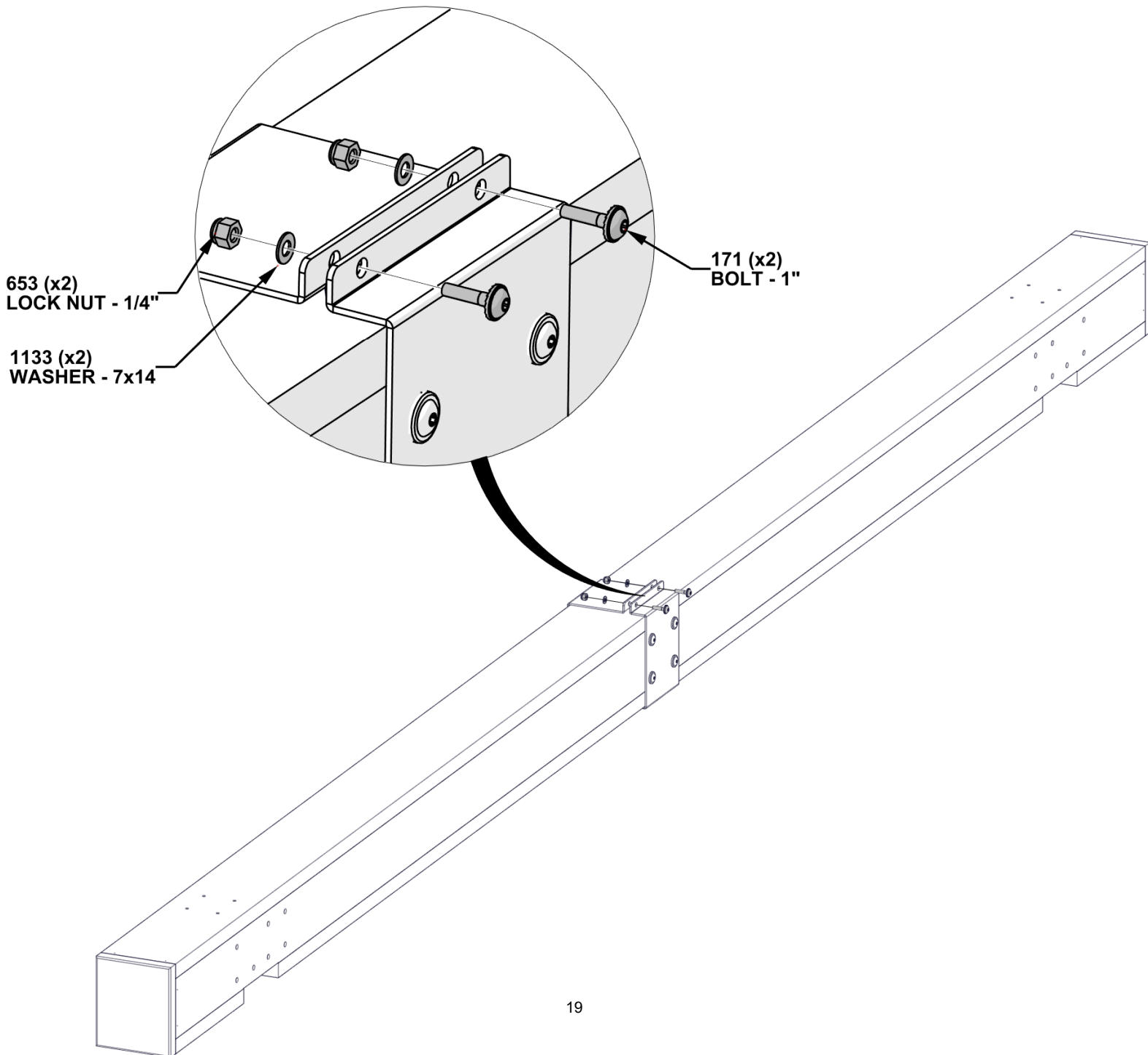
- LEAVE 363 BOLTS AND 192 BARREL NUTS HAND TIGHTENED.



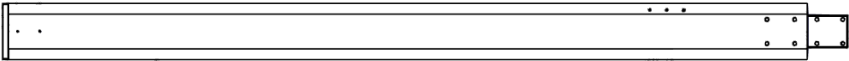
STEP 6 - BEAM ASSEMBLY

QTY	PART NUMBER	DESCRIPTION
2	H100171	BOLT WH 1/4x1 BLK
2	H100653	NUT LOCK 1/4 BLK
2	H101133	WASHER FLAT 7x14 BLK

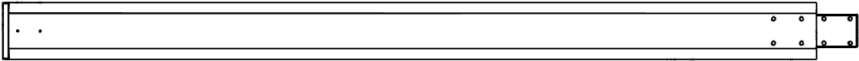
- AFTER HARDWARE HAS BEEN ATTACHED, FULLY TIGHTEN ALL HARDWARE.



STEP 7 - BEAM ASSEMBLY

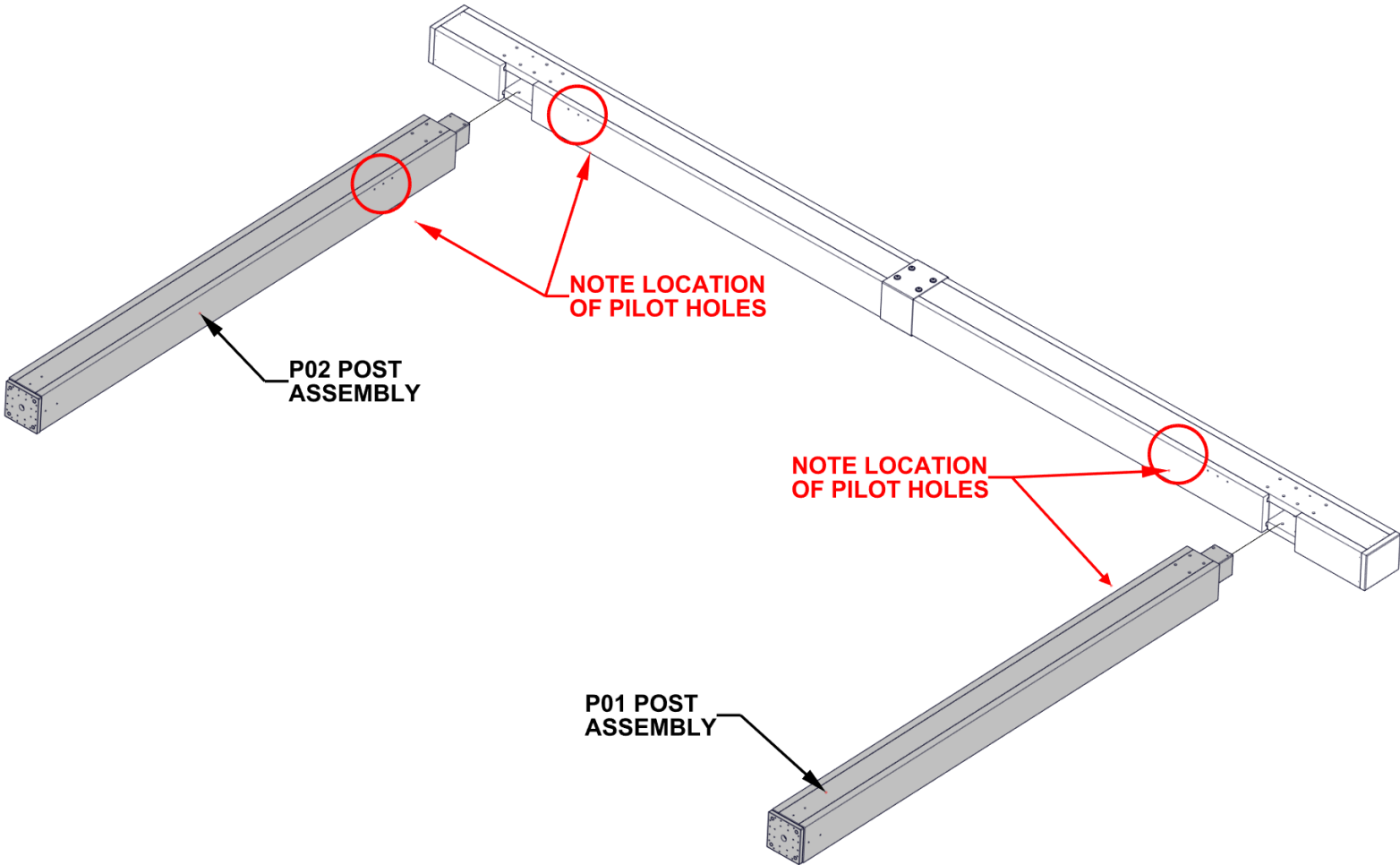


P01 POST ASSEMBLY FROM STEP 1



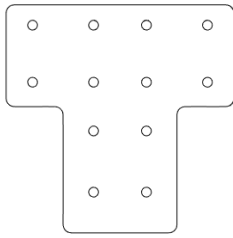
P02 POST ASSEMBLY FROM STEP 1

- SLIDE P01 AND P02 POSTS INTO BEAM ASSEMBLY AS SHOWN.

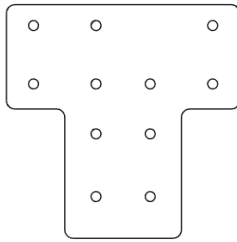


STEP 8 - BEAM ASSEMBLY

QTY	PART NUMBER	DESCRIPTION
14	H100193	NUT BARREL WH 5/16 X 1 1/2 BLK
14	H100972	BOLT WH 5/16x5 1/4 BLK

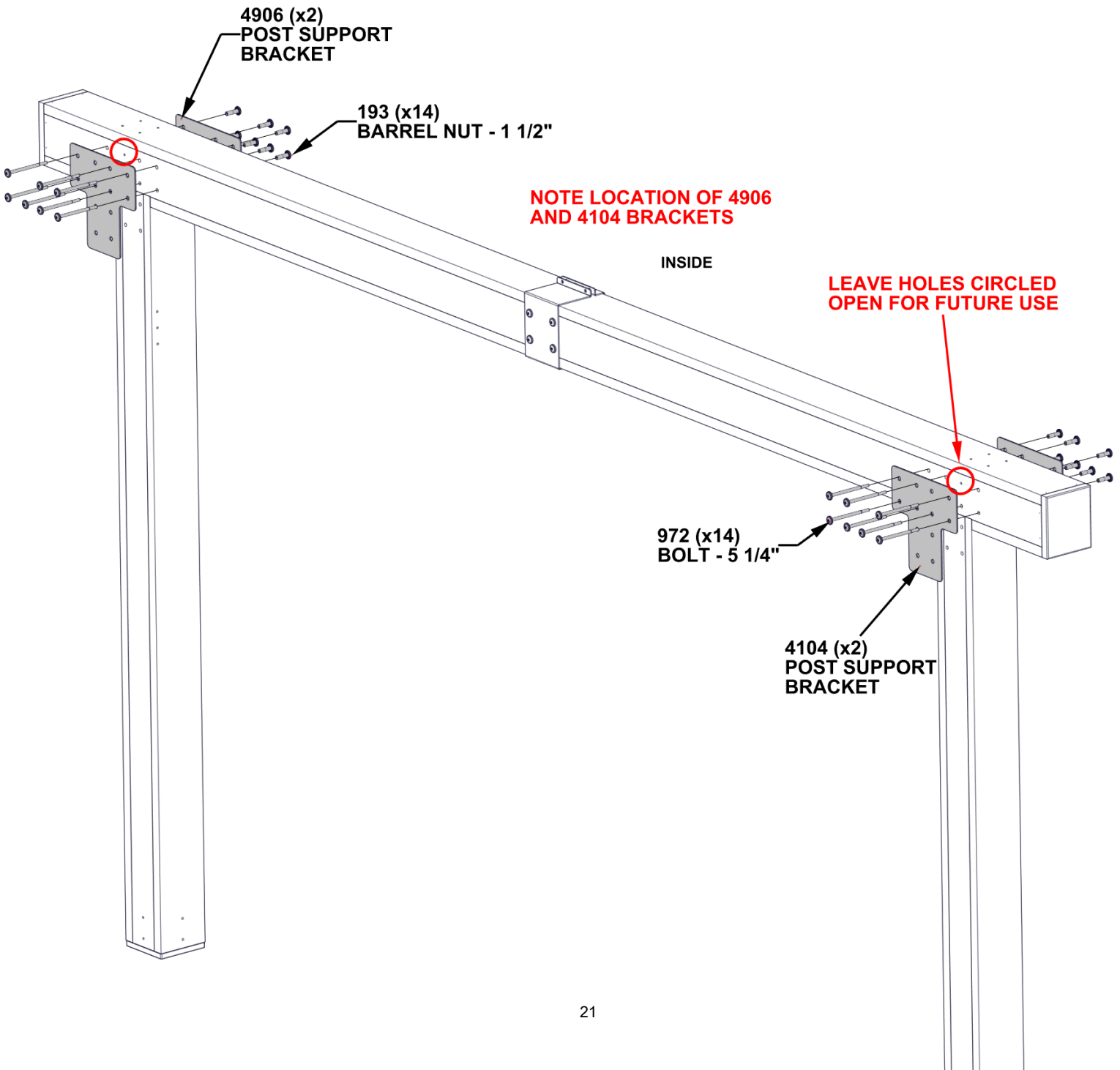


A4M04104 POST SUPPORT BRACKET
(x2)



A4M04906 POST SUPPORT BRACKET
(x2)

- **HAND TIGHTEN ONLY.**
- NOTE ORIENTATION OF BRACKETS, 4906 BRACKET GOES TOWARD THE INSIDE OF THE POSTS.
- IF HOLES DO NOT ALIGN, USE A 7/16" [10mm] DRILL BIT AND THE METAL BRACKET AS A GUIDE TO DRILL THROUGH THE BOARDS.

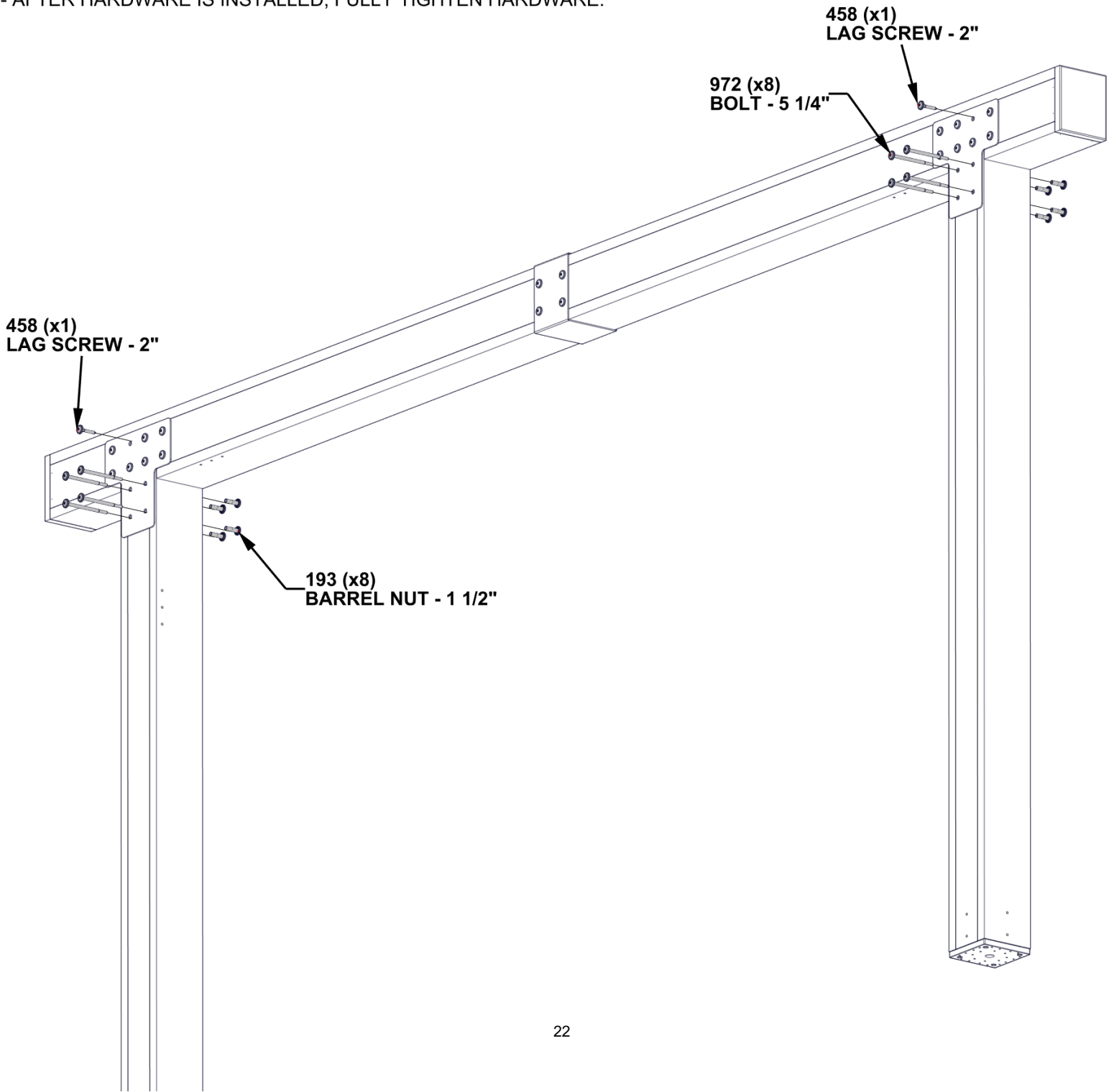


STEP 9 - BEAM ASSEMBLY

QTY	PART NUMBER	DESCRIPTION
8	H100193	NUT BARREL WH 5/16 X 1 1/2 BLK
2	H100458	LAG SCREW WH 5/16x2 BLK
8	H100972	BOLT WH 5/16x5 1/4 BLK

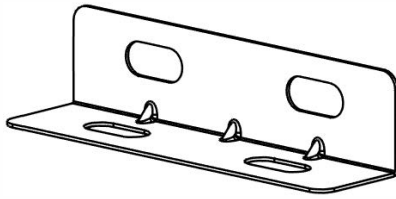
- HAND TIGHTEN ONLY.

- IF HOLES DO NOT ALIGN, USE A 7/16" [10mm] DRILL BIT AND THE METAL BRACKET AS A GUIDE TO DRILL THROUGH THE BOARDS.
- AFTER HARDWARE IS INSTALLED, FULLY TIGHTEN HARDWARE.



STEP 10 - BEAM ASSEMBLY

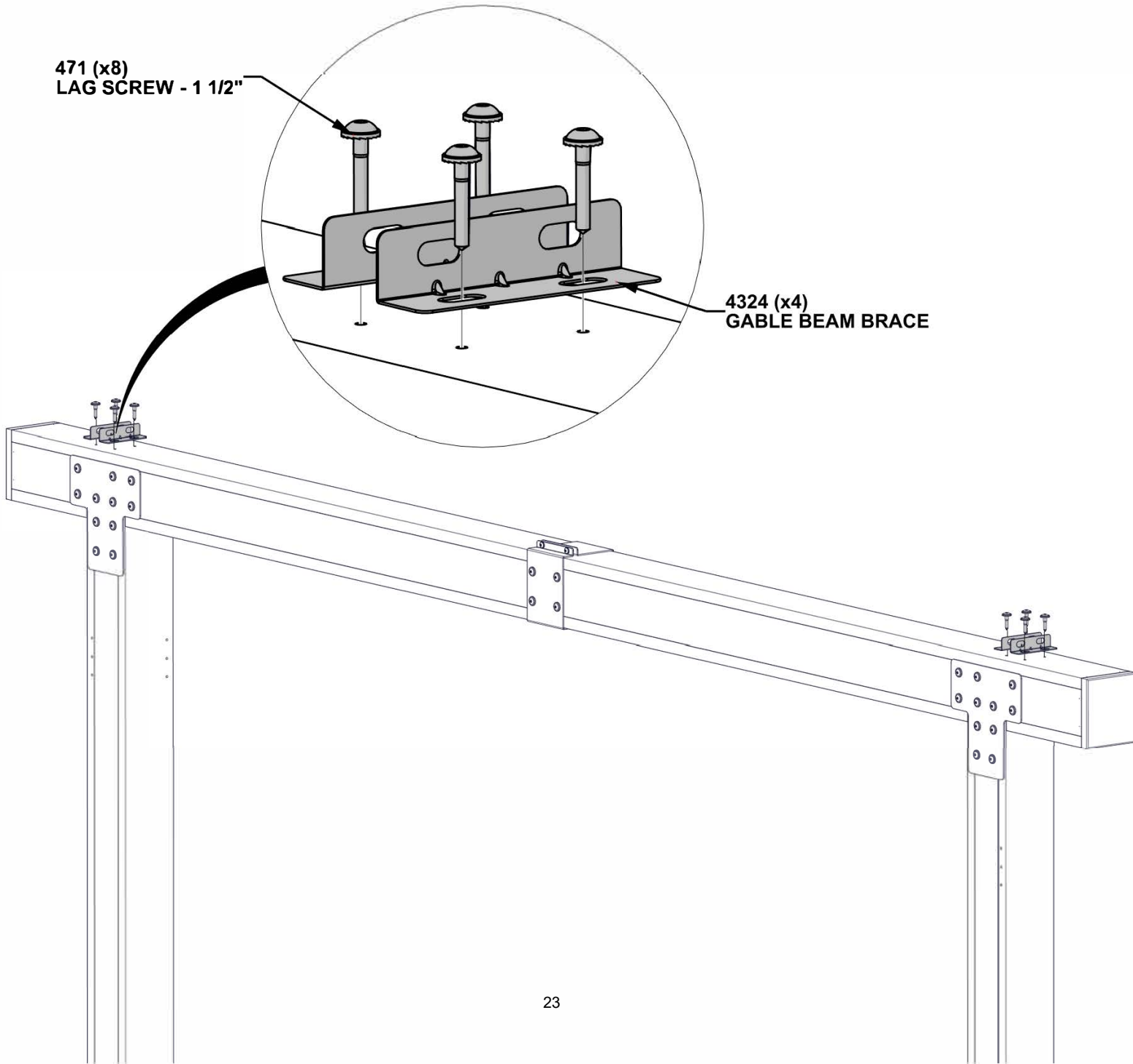
QTY	PART NUMBER	DESCRIPTION
8	H100471	LAG SCREW WH 5/16x1 1/2 BLK



A4M04324 GABLE BEAM BRACE
(x4)

- HAND TIGHTEN HARDWARE.

- NOTE ORIENTATION OF BRACKET MOUNTED TO TOP SIDE OF BEAM ASSEMBLY.
- AFTER BRACES HAVE BEEN INSTALLED, STAND ASSEMBLY UP AND SET ASIDE.



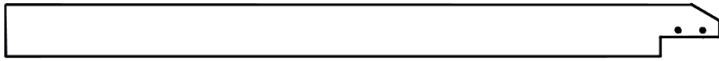
471 (x8)
LAG SCREW - 1 1/2"

4324 (x4)
GABLE BEAM BRACE

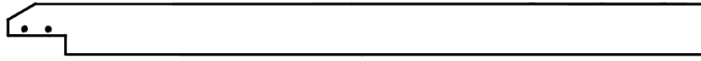
**REPEAT POST AND BEAM ASSEMBLY
STEPS 2 THROUGH 10**

STEP 11 - GABLE ASSEMBLY

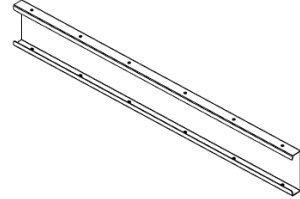
QTY	PART NUMBER	DESCRIPTION
10	H101202	TORX PAN HEAD 1/4-20x3/4 ASSY



B01 GABLE BEAM - A4M04151
(x1) 1 9/16"x5 1/4"x1826 (39x134x1827)

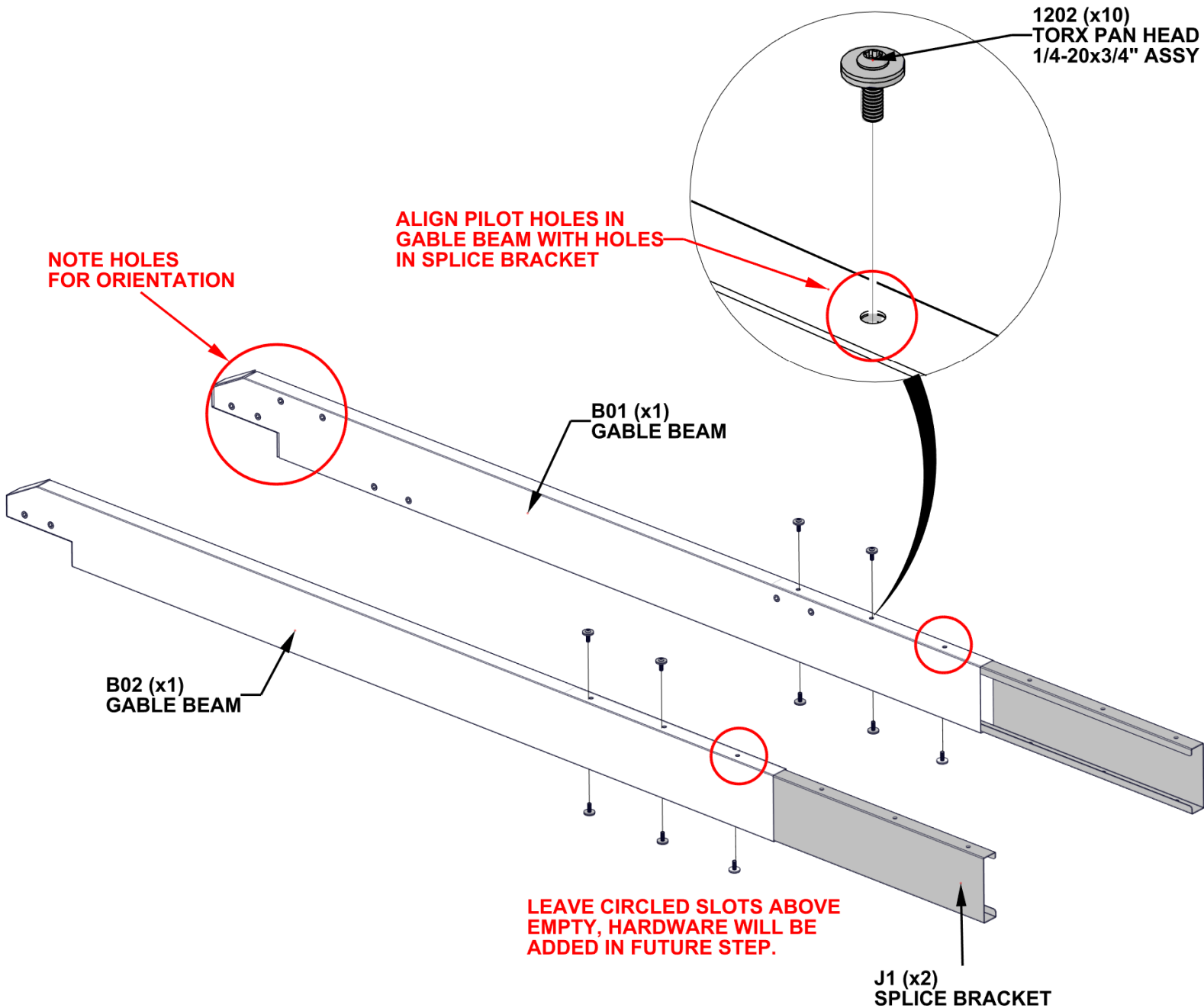


B02 GABLE BEAM - A4M04152
(x1) 1 9/16"x5 1/4"x71 15/16" (39x134x1827)



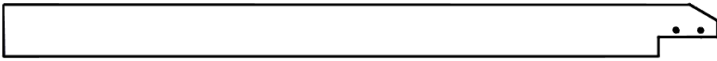
J1 SPLICE BRACKET - A4M02230
(x2) 1 5/16"x5 3/16"x39 3/8" (33.2x131.2x1000)

- HAND TIGHTEN HARDWARE.
- NOTE ORIENTATION OF J1 SPLICE BRACKET.
- SLIDE J1 SPLICE BRACKET INTO THE GABLE BEAMS AS SHOWN.
- ALIGN PILOT HOLES AND ATTACH WITH HARDWARE PROVIDED.

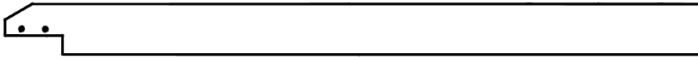


STEP 12 - GABLE ASSEMBLY

QTY	PART NUMBER	DESCRIPTION
10	H101202	TORX PAN HEAD 1/4-20x3/4 ASSY



B01 GABLE BEAM - A4M04151
(x1) 1 9/16"x5 1/4"x1826 (39x134x1827)



B02 GABLE BEAM - A4M04152
(x1) 1 9/16"x5 1/4"x71 15/16" (39x134x1827)

- SLIDE GABLE BEAMS B01 AND B02 OVER J1 SPLICE BRACKET
- ALIGN PILOT HOLES AND ATTACH WITH HARDWARE PROVIDED.
- AFTER HARDWARE HAS BEEN INSERTED, FULLY TIGHTEN HARDWARE.

1202 (x10)
TORX PAN HEAD
1/4-20x3/4" ASSY

**ALIGN PILOT HOLES WITH
HOLES IN SPLICE BRACKET**

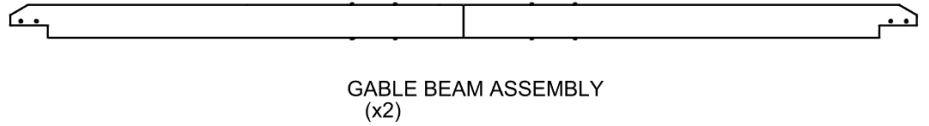
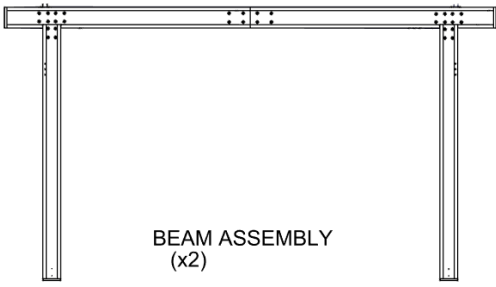
B02 (x1)
GABLE BEAM

**LEAVE CIRCLED SLOTS ABOVE
EMPTY, HARDWARE WILL BE
ADDED IN FUTURE STEP.**

B01 (x1)
GABLE BEAM

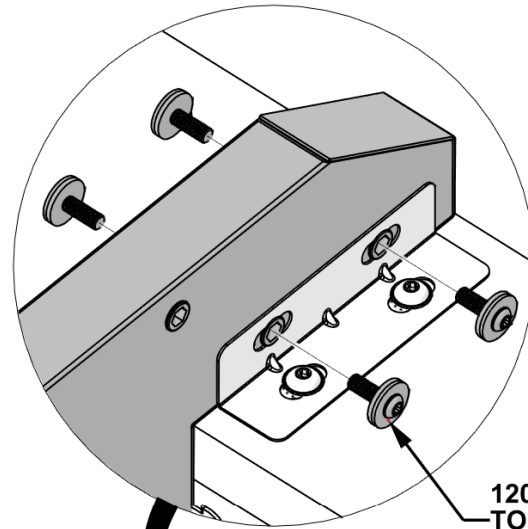
STEP 13 - FRAME ASSEMBLY

QTY	PART NUMBER	DESCRIPTION
16	H101202	TORX PAN HEAD 1/4-20x3/4 ASSY

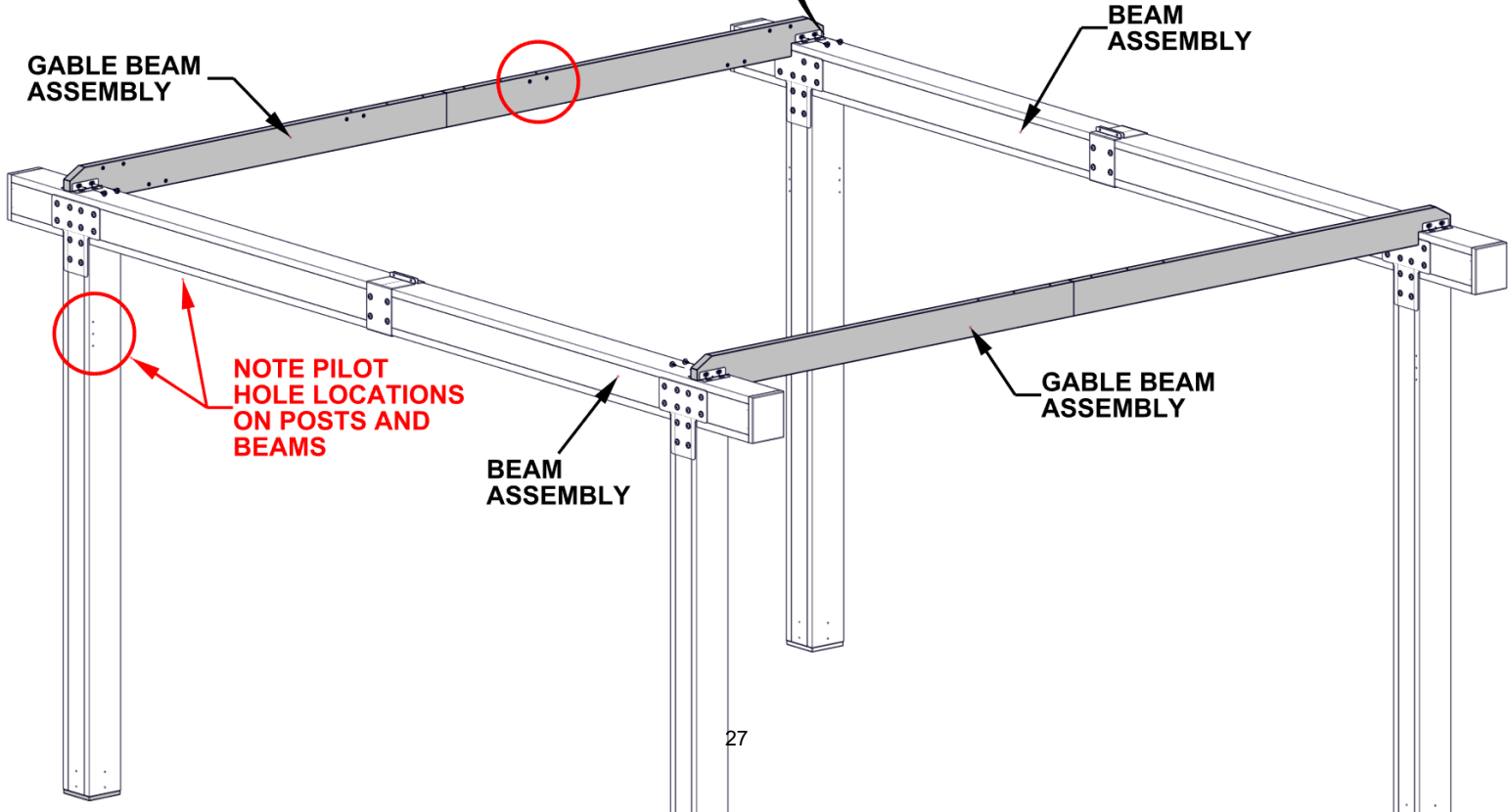


- HAND TIGHTEN HARDWARE.

- ADDITIONAL PEOPLE MAY BE HELPFUL FOR THIS STEP.



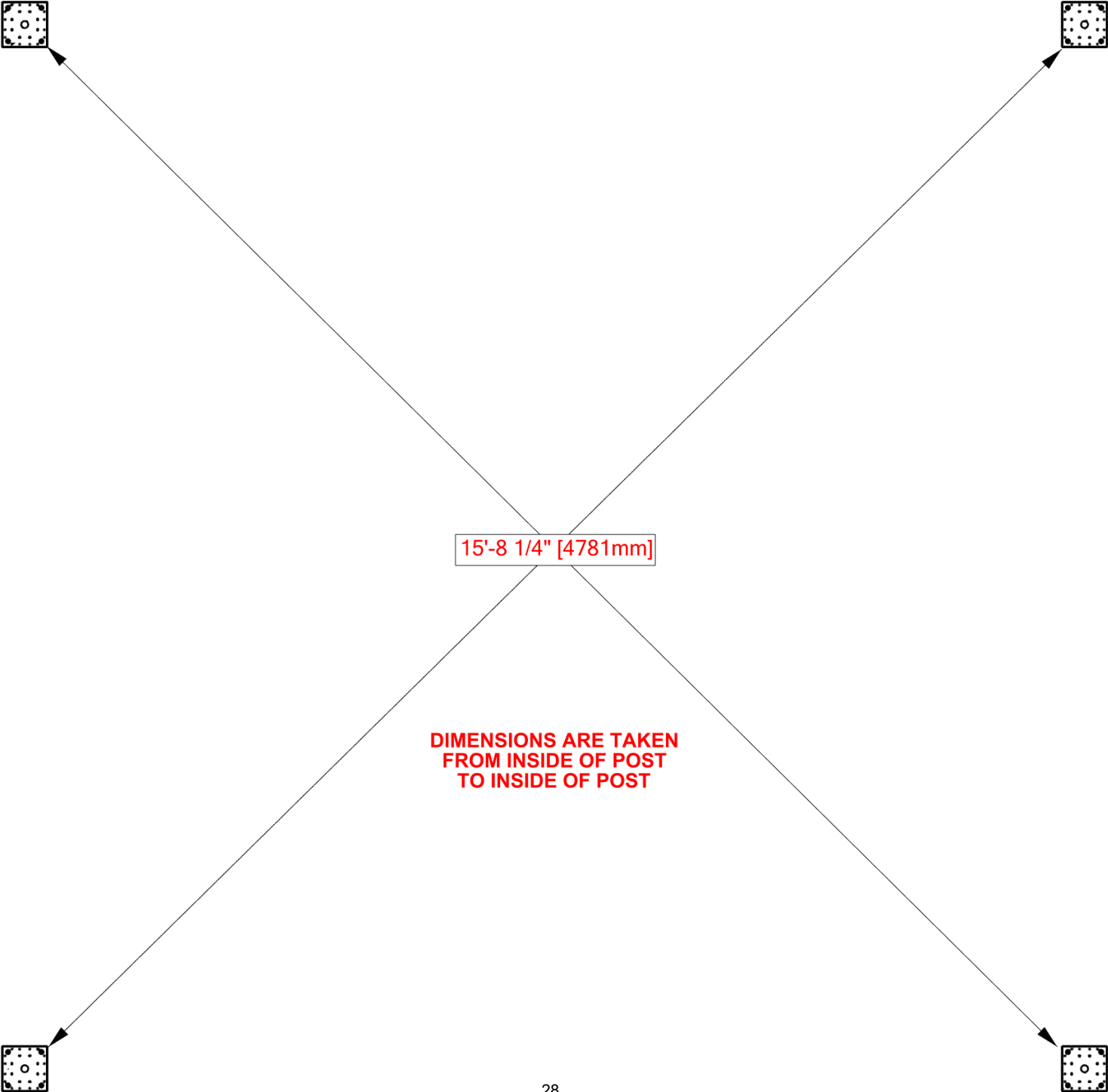
**NOTE ORIENTATION OF
THREADED INSERTS.**



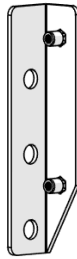
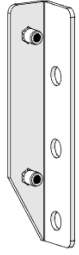
STEP 14 - FRAME ASSEMBLY

CRITICAL:

- SQUARE UNIT BEFORE PROCEEDING TO NEXT STEPS.
- THE BELOW DIMENSIONS ARE CRITICAL TO THE FINAL ASSEMBLY.
- MEASUREMENTS SHOULD BE WITHIN +/- 1/4" [6mm].
- MEASUREMENTS OUTSIDE OF TOLERANCE WILL LEAD TO ISSUES ON FUTURE ASSEMBLY STEPS.
- AFTER UNIT HAS BEEN SQUARED, COMPLETELY TIGHTEN HARDWARE.



STEP 15 - ANGLE BRACE ASSEMBLY

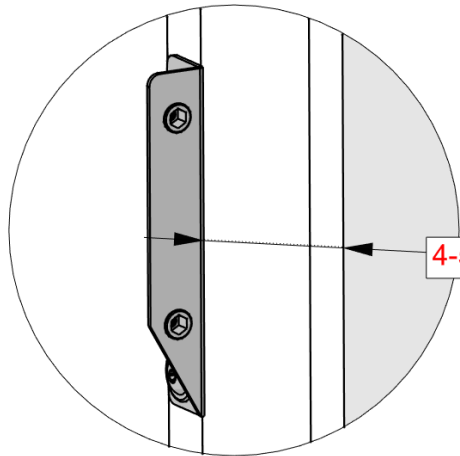


QTY	PART NUMBER	DESCRIPTION
12	H100458	LAG SCREW WH 5/16x2 BLK

C01 ANGLE BRACE BRACKET - A4M04148
(x2) 1 1/16"x1 1/4"x6" (27x31x152)

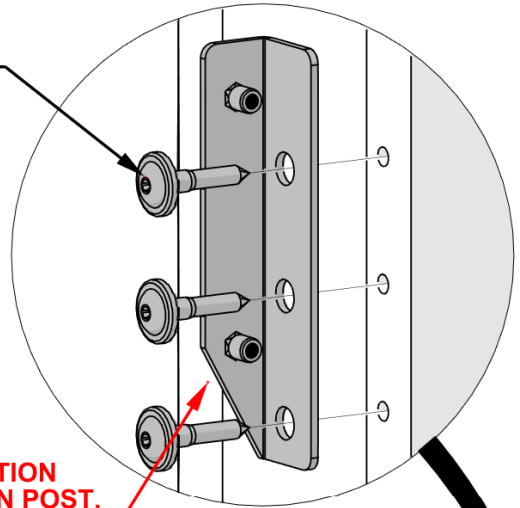
C02 ANGLE BRACE BRACKET - A4M04153
(x2) 1 1/16"x1 1/4"x6" (27x31x152)

- ALIGN BRACKET WITH PILOT HOLES IN POST AND FOLLOW MEASUREMENTS AS SHOWN.



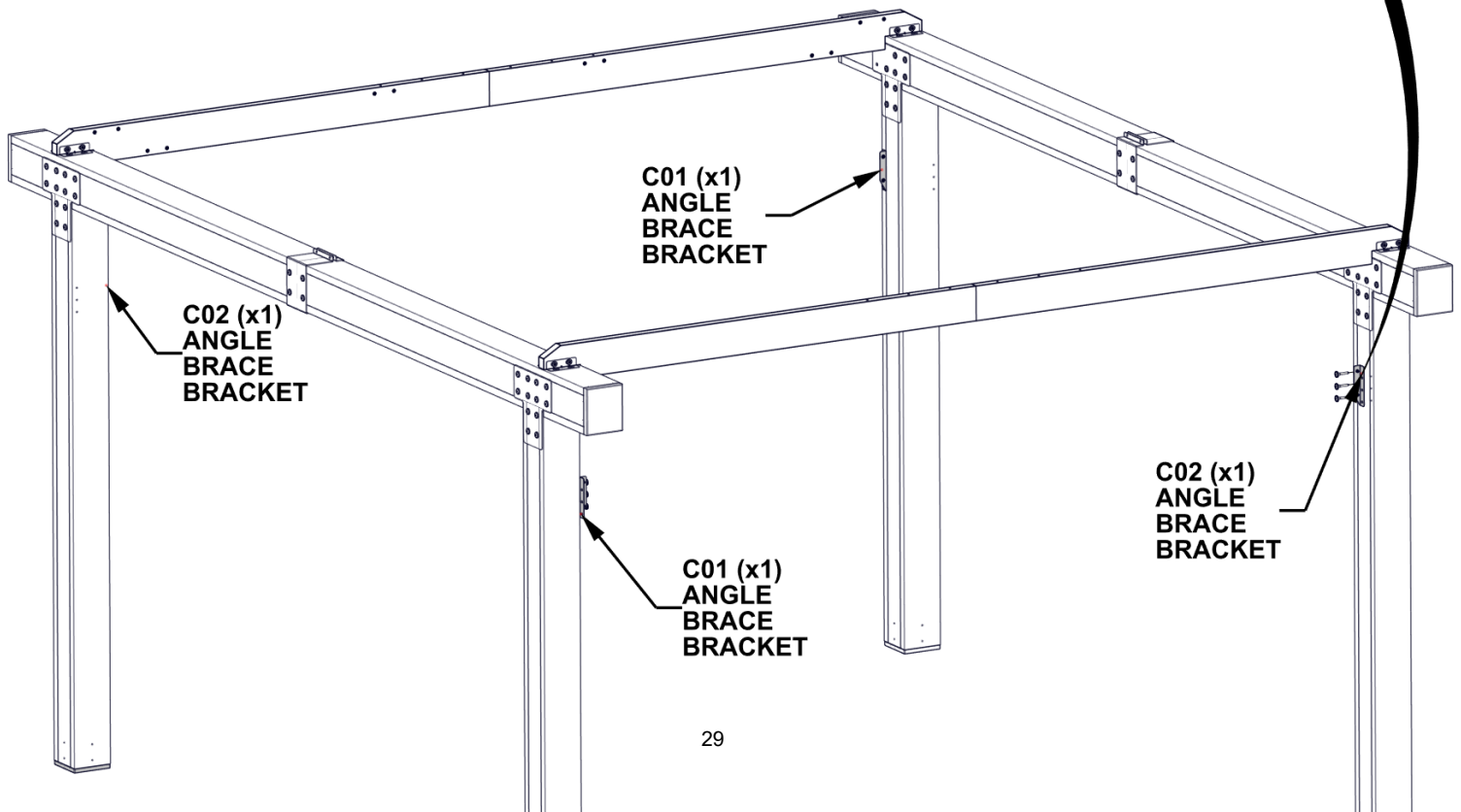
4-5/8" [117mm]

458 (x12)
LAG SCREW - 2"



NOTE ORIENTATION
OF BRACKET ON POST.
THE ANGLED PORTION
FACES DOWN.

HAND TIGHTEN HARDWARE, MEASURE FROM
THE INSIDE OF THE POST TO BRACKET AS SHOWN.
THIS MEASUREMENT SHOULD BE 4-5/8" [117mm].



STEP 16 - ANGLE BRACE ASSEMBLY

QTY	PART NUMBER	DESCRIPTION
16	H101202	TORX PAN HEAD 1/4-20x3/4 ASSY

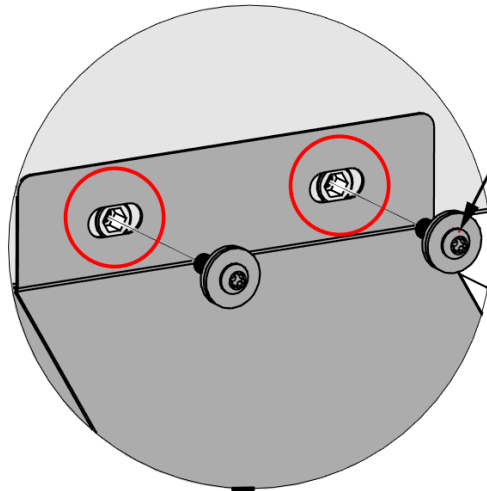


C03 ANGLE BRACE - A4M04149
(x2) 1 1/2"x5 15/16"x27 1/16" (38x151x687)

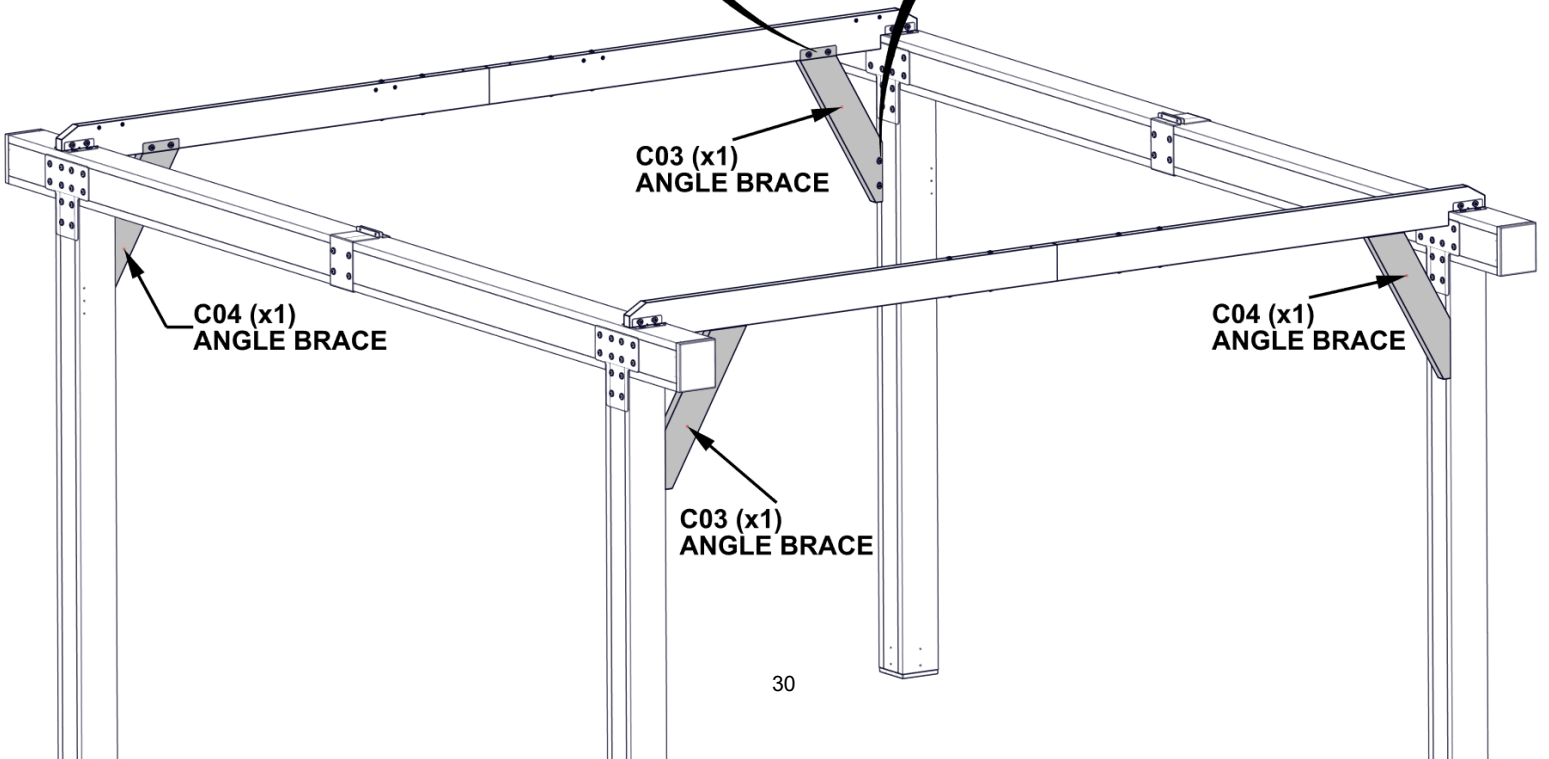
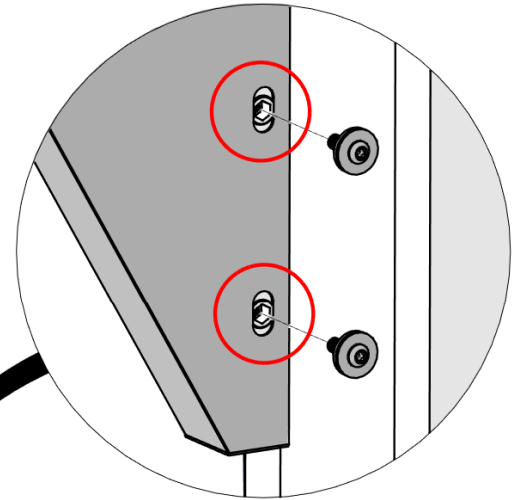


C04 ANGLE BRACE - A4M04150
(x2) 1 1/2"x5 15/16"x27 1/16" (38x151x687)

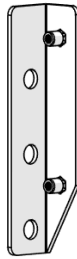
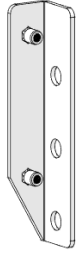
- **HAND TIGHTEN UNTIL ALL HARDWARE IS INSERTED, THEN FULLY TIGHTEN.**
- ALIGN ANGLE BRACE WITH THREADED INSERTS AS SHOWN BELOW.



1202 (x16)
TORX PAN HEAD
1/4-20x3/4" ASSY



STEP 17 - ANGLE BRACE ASSEMBLY



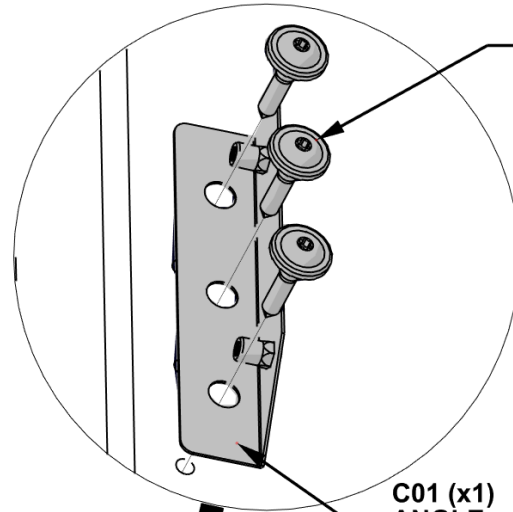
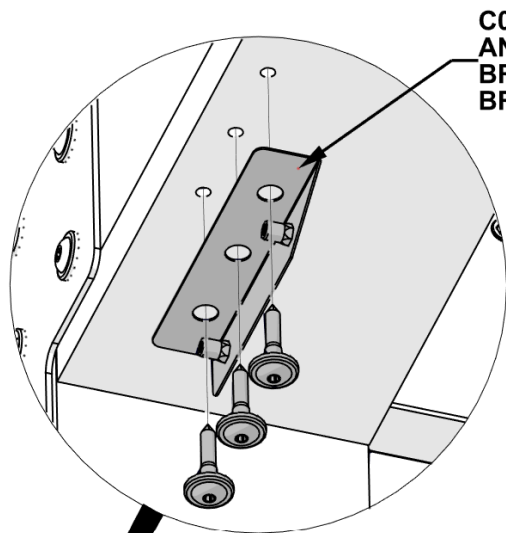
QTY	PART NUMBER	DESCRIPTION
12	H100458	LAG SCREW WH 5/16x2 BLK

C01 ANGLE BRACE BRACKET - A4M04148
(x2) 1 1/16"x1 1/4"x6" (27x31x152)

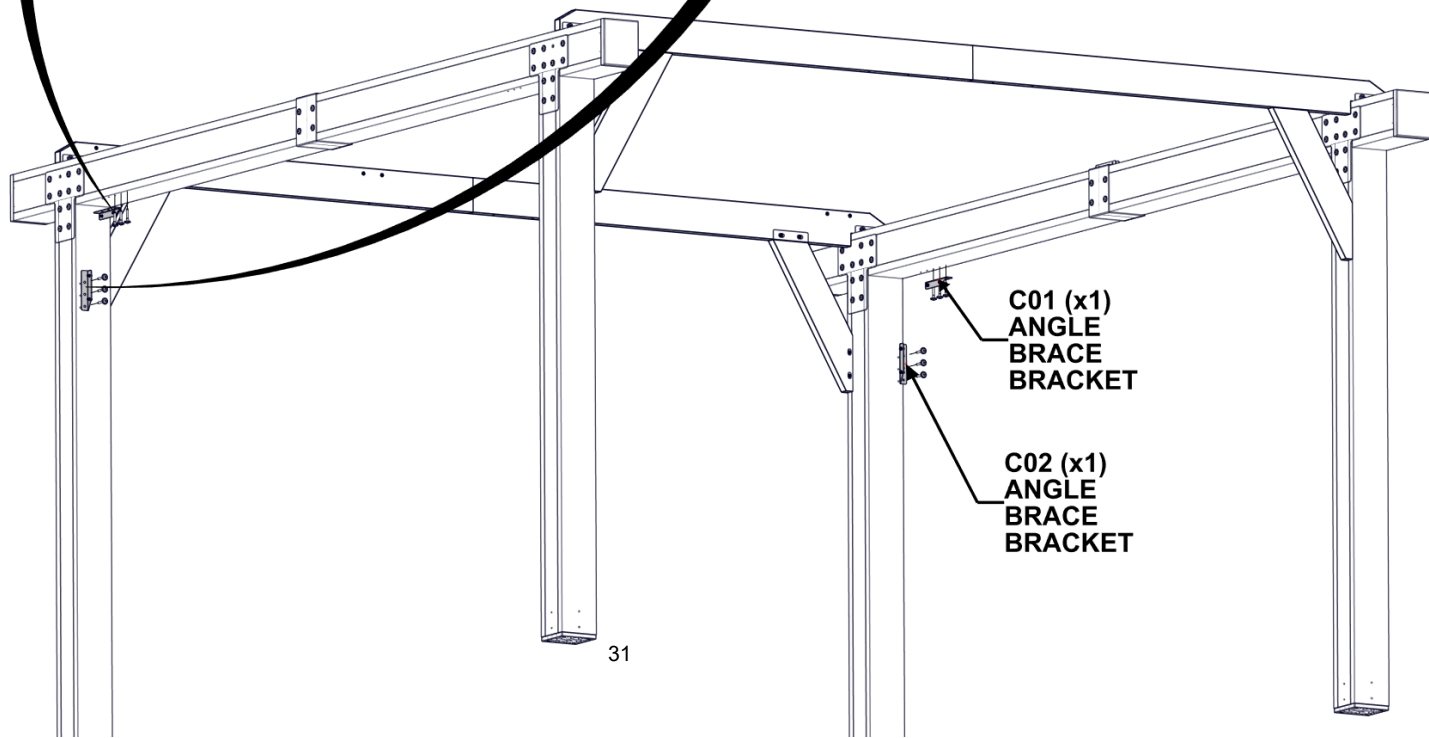
C02 ANGLE BRACE BRACKET - A4M04153
(x2) 1 1/16"x1 1/4"x6" (27x31x152)

- MEASURE 4-5/8" [117mm] FROM THE INSIDE OF THE POST TO THE BRACKET.

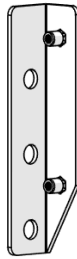
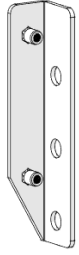
- ALIGN BRACKET WITH PILOT HOLES IN POST AS SHOWN.



NOTE ORIENTATION OF BRACKET ON POST. THE ANGLED PORTION FACES AWAY FROM CORNER OF BEAM/POST ASSEMBLY.



STEP 18 - ANGLE BRACE ASSEMBLY



QTY	PART NUMBER	DESCRIPTION
12	H100458	LAG SCREW WH 5/16x2 BLK

C01 ANGLE BRACE BRACKET - A4M04148
(x2) 1 1/16"x1 1/4"x6" (27x31x152)

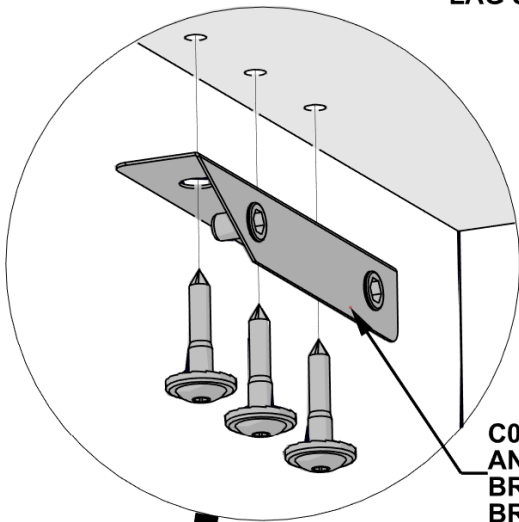
C02 ANGLE BRACE BRACKET - A4M04153
(x2) 1 1/16"x1 1/4"x6" (27x31x152)

- MEASURE 4-5/8" [117mm] FROM THE INSIDE OF THE POST TO THE BRACKET.

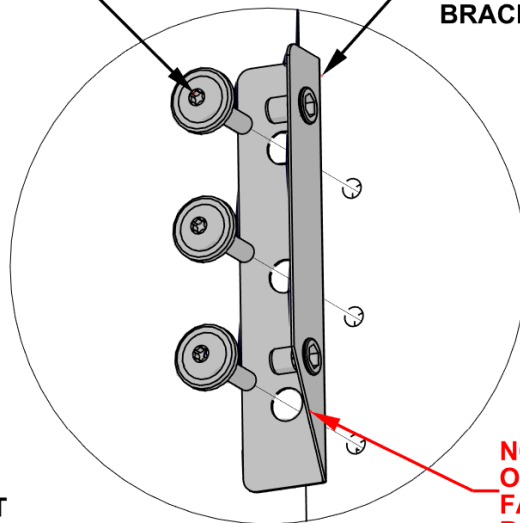
- ALIGN BRACKET WITH PILOT HOLES IN POST AS SHOWN.

458 (x12)
LAG SCREW - 2"

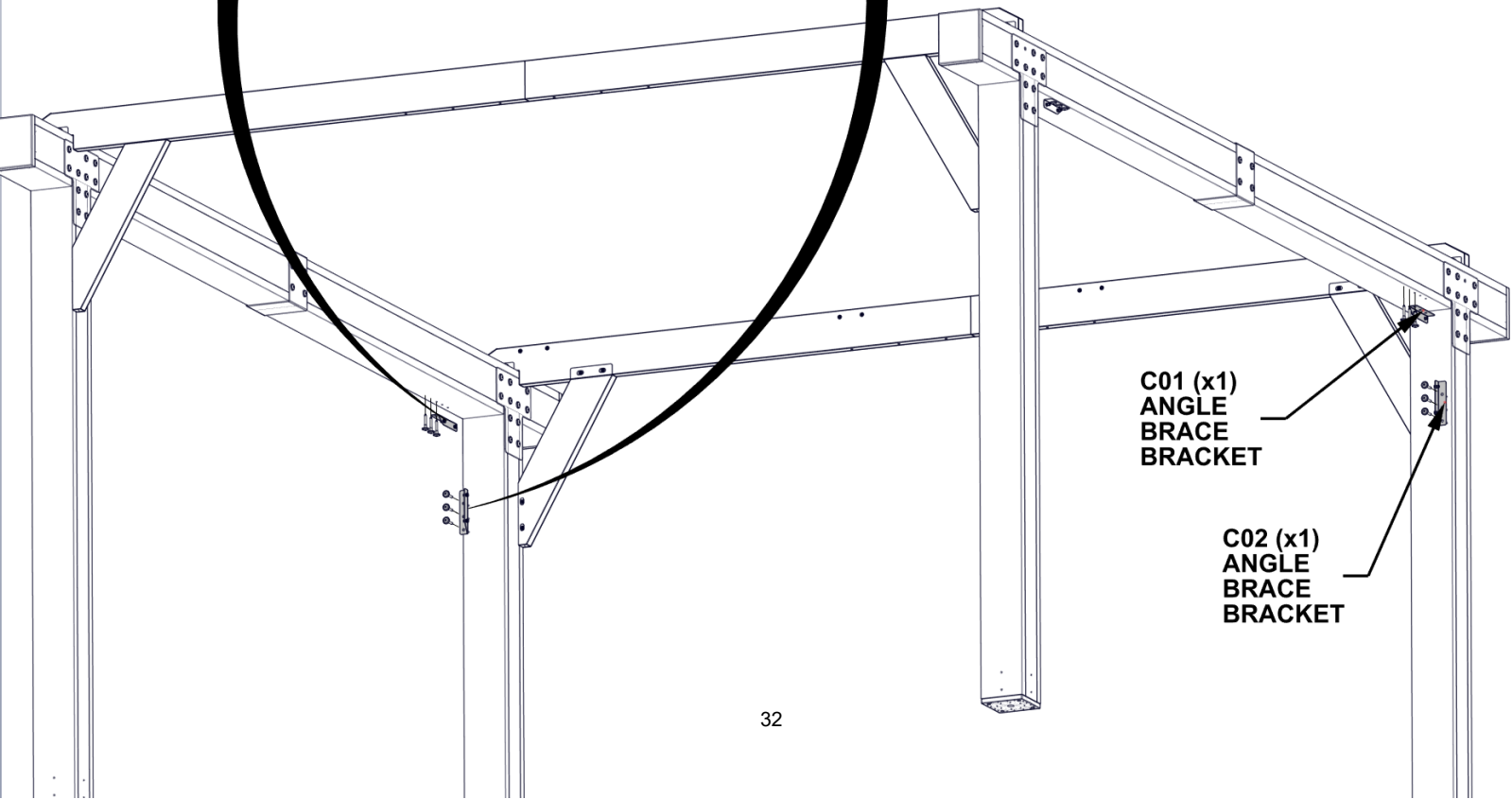
C01 (x1)
ANGLE
BRACE
BRACKET



C02 (x1)
ANGLE
BRACE
BRACKET



**NOTE ORIENTATION OF BRACKET
ON POST. THE ANGLED PORTION
FACES AWAY FROM CORNER OF
BEAM/POST ASSEMBLY.**

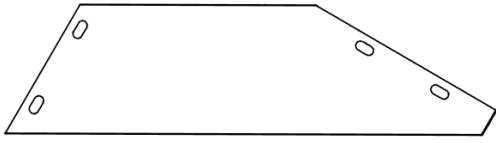


C01 (x1)
ANGLE
BRACE
BRACKET

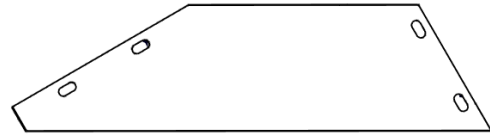
C02 (x1)
ANGLE
BRACE
BRACKET

STEP 19 - ANGLE BRACE ASSEMBLY

QTY	PART NUMBER	DESCRIPTION
16	H101202	TORX PAN HEAD 1/4-20x3/4 ASSY



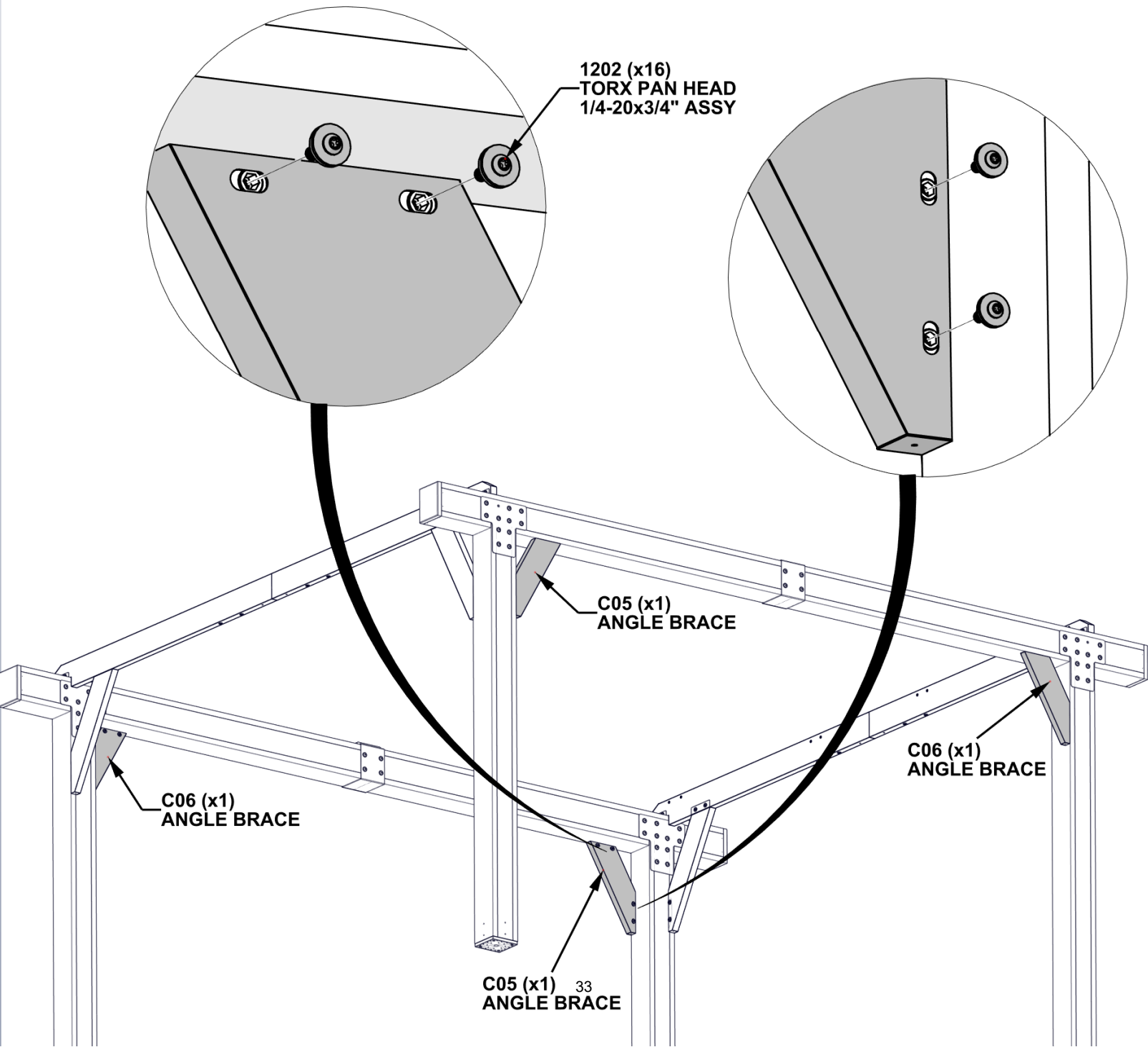
C05 ANGLE BRACE - A4M04320
(x2) 1 7/16"x5 5/16"x20 1/16" (36x135x509)



C06 ANGLE BRACE - A4M04321
(x2) 1 7/16"x5 5/16"x20 1/16" (36x135x509)

- HAND TIGHTEN UNTIL ALL HARDWARE IS INSERTED, THEN FULLY TIGHTEN.

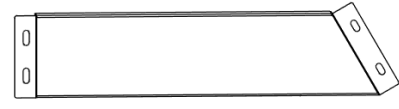
- ALIGN ANGLE BRACE WITH THEADED INSERTS AS SHOWN BELOW.



STEP 20 - GABLE ASSEMBLY

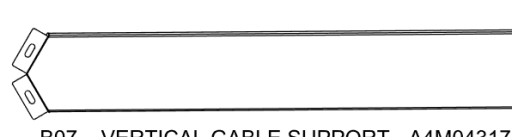


B08 GABLE SUPPORT - A4M04318
(x2) 1 1/2"x5 15/16"x24 5/8" (38x152x625)



B09 GABLE SUPPORT - A4M04319
(x2) 1 1/2"x5 15/16"x24 5/8" (38x152x625)

QTY	PART NUMBER	DESCRIPTION
12	H101202	TORX PAN HEAD 1/4-20x3/4 ASSY

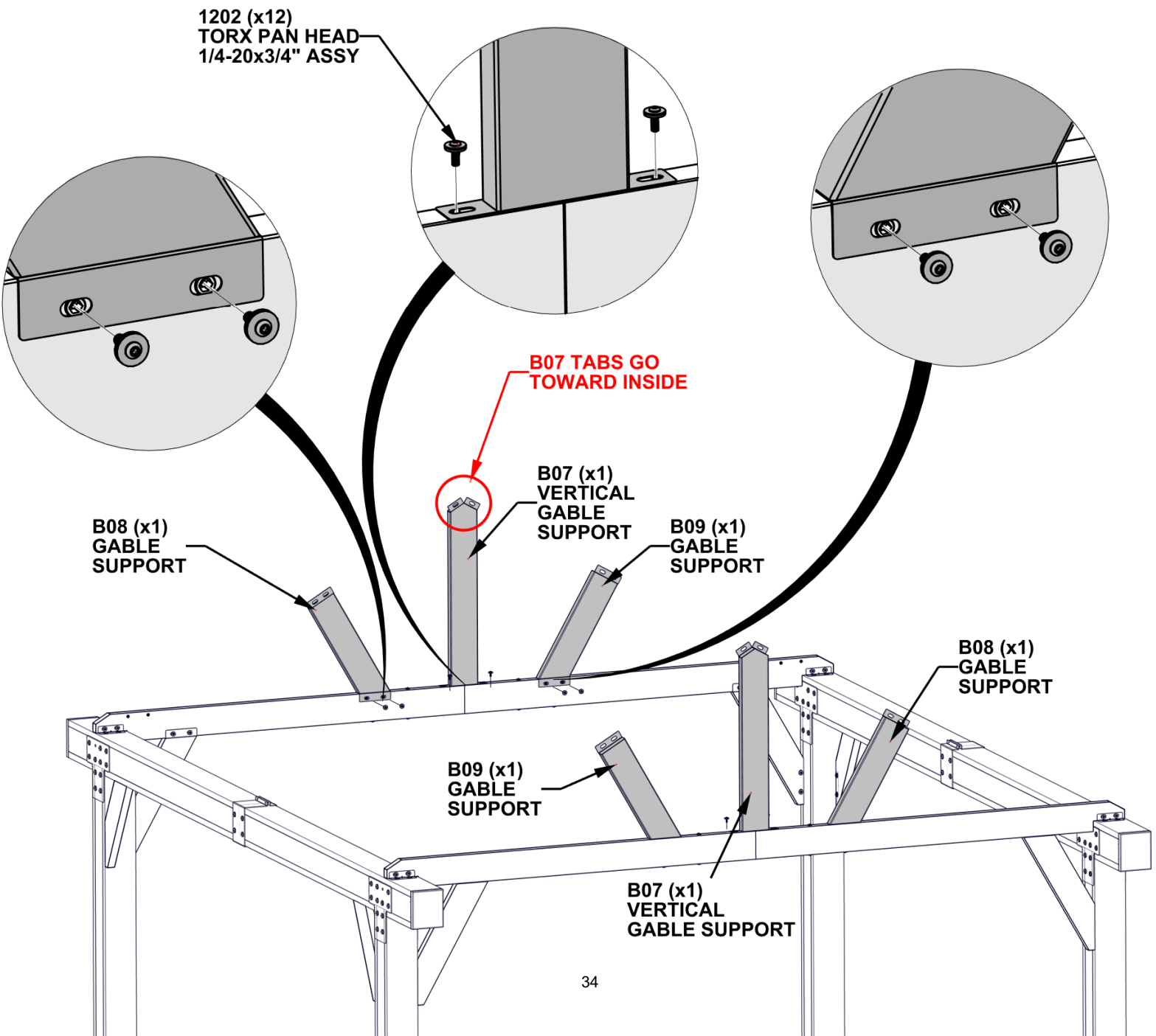


B07 VERTICAL GABLE SUPPORT - A4M04317
(x2) 1 1/2"x9 1/16"x34 11/16" (38x230x882)

- HAND TIGHTEN HARDWARE.

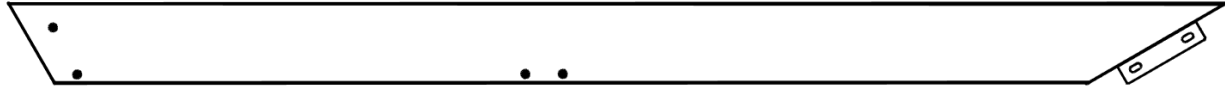
- ALIGN COMPONENTS WITH THREADED INSERTS.

1202 (x12)
TORX PAN HEAD
1/4-20x3/4" ASSY



STEP 21 - GABLE ASSEMBLY

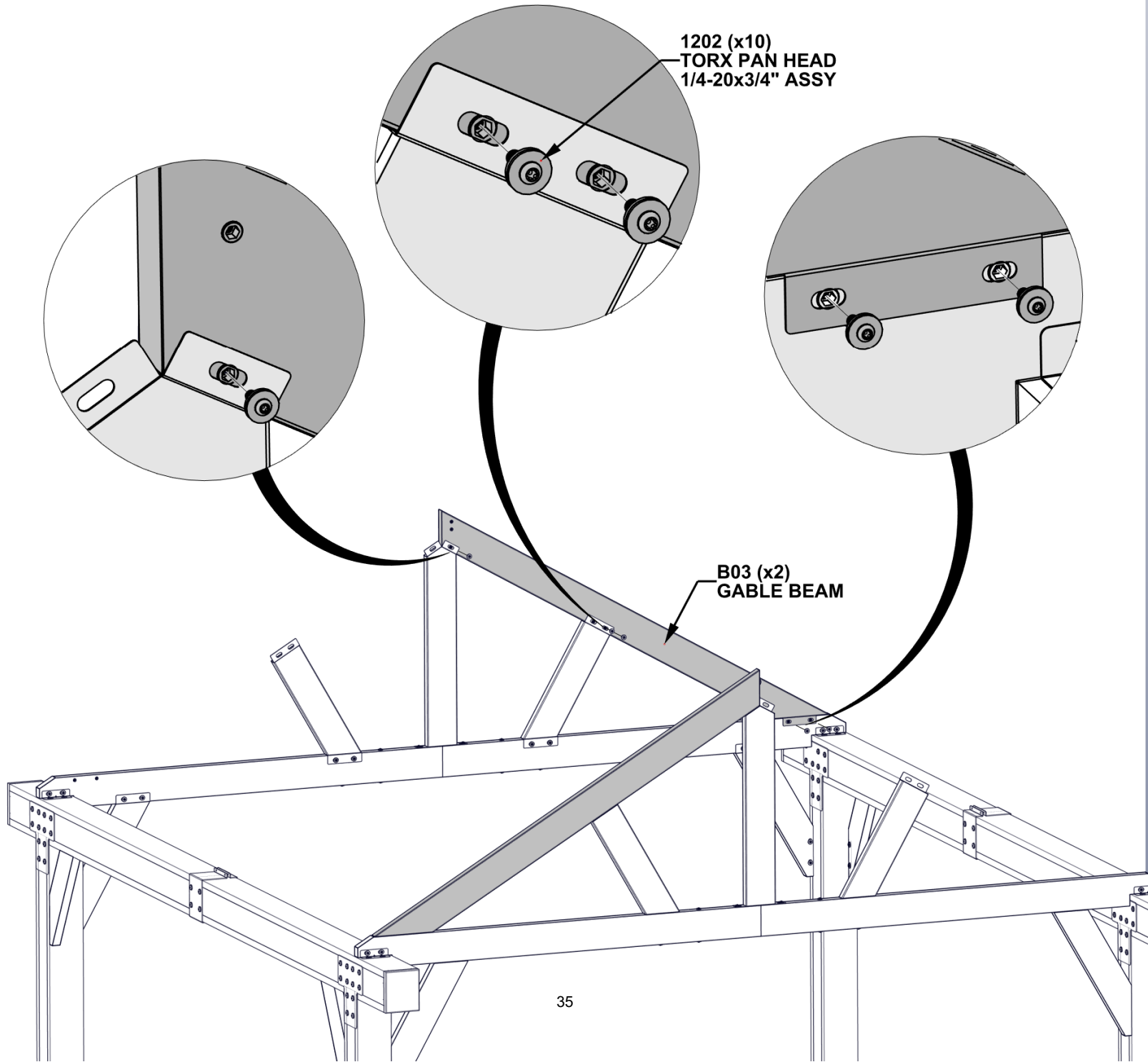
QTY	PART NUMBER	DESCRIPTION
10	H101202	TORX PAN HEAD 1/4-20x3/4 ASSY



B03 GABLE BEAM - A4M04157
(x2) 1 1/2"x5 1/4"x79 1/2" (38x134x2019)

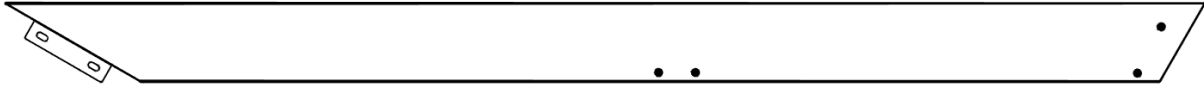
- HAND TIGHTEN HARDWARE.

- ALIGN COMPONENTS WITH THREADED INSERTS.



STEP 22 - GABLE ASSEMBLY

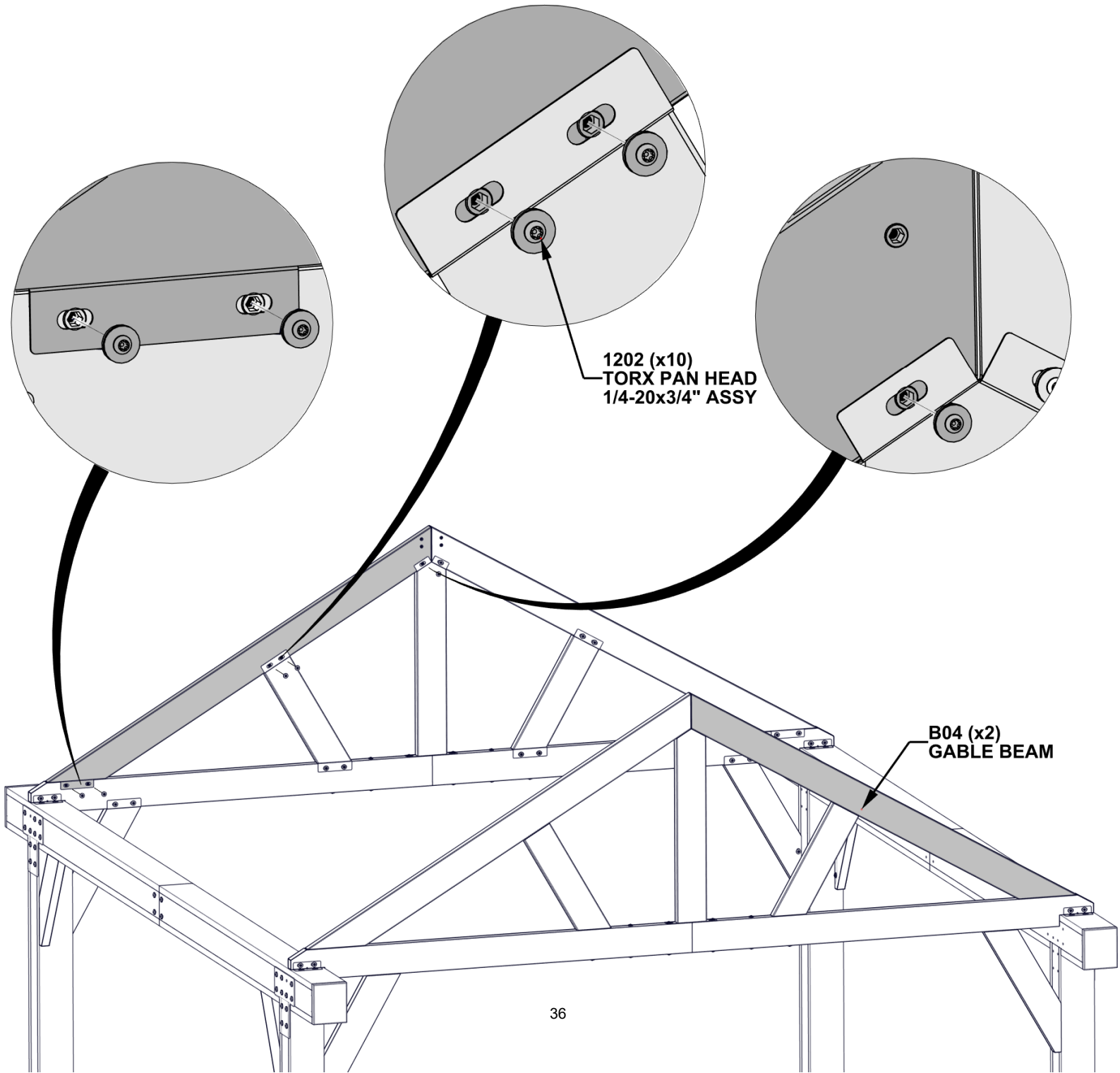
QTY	PART NUMBER	DESCRIPTION
10	H101202	TORX PAN HEAD 1/4-20x3/4 ASSY



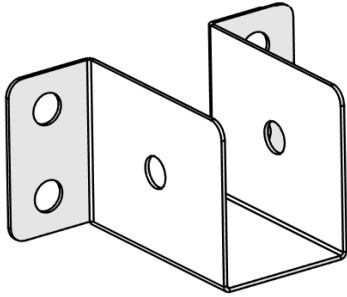
B04 GABLE BEAM - A4M04158
(x2) 1 1/2"x5 1/4"x79 1/2" (38x134x2019)

- HAND TIGHTEN HARDWARE.

- ALIGN COMPONENTS WITH THREADED INSERTS.



STEP 23 - GABLE ASSEMBLY



A4M04905 RIDGE CLIP
(x2)

QTY	PART NUMBER	DESCRIPTION
8	H101202	TORX PAN HEAD 1/4-20x3/4 ASSY

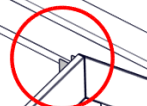
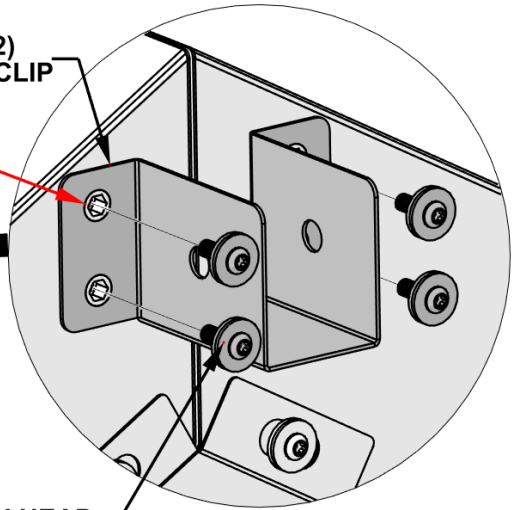
- HAND TIGHTEN HARDWARE, AFTER ALL HARDWARE HAS BEEN INSTALLED FULLY HIGHTEN ALL HARDWARE FROM PREVIOUS STEPS.

- ALIGN COMPONENTS WITH THREADED INSERTS.

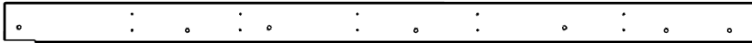
ALIGN RIDGE CLIP WITH THREADED INSERTS

4905 (x2)
RIDGE CLIP

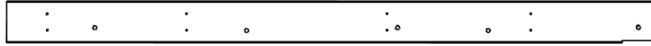
1202 (x8)
TORX PAN HEAD
1/4-20x3/4 ASSY



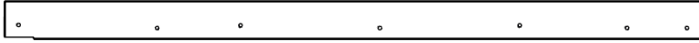
STEP 24A - RIDGE PEAK ASSEMBLY



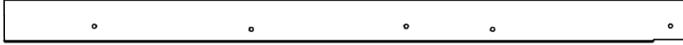
AD02 PEAK SUPPORT - W4L21552
(x1) 15/16"x4"x81 1/8" (24x102x2061)



AD03 PEAK SUPPORT - W4L21546
(x1) 15/16"x4"x62 1/16" (24x102x1576)

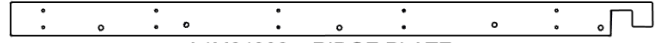


AD04 PEAK SUPPORT - W4L21553
(x1) 15/16"x4"x79 3/4" (24x102x2025)

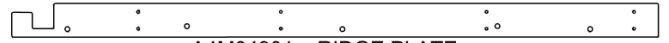


AD05 PEAK SUPPORT - W4L21547
(x1) 15/16"x4"x63 7/16" (24x102x1612)

QTY	PART NUMBER	DESCRIPTION
22	H100382	SCREW PFH 8x1 3/4 BLK



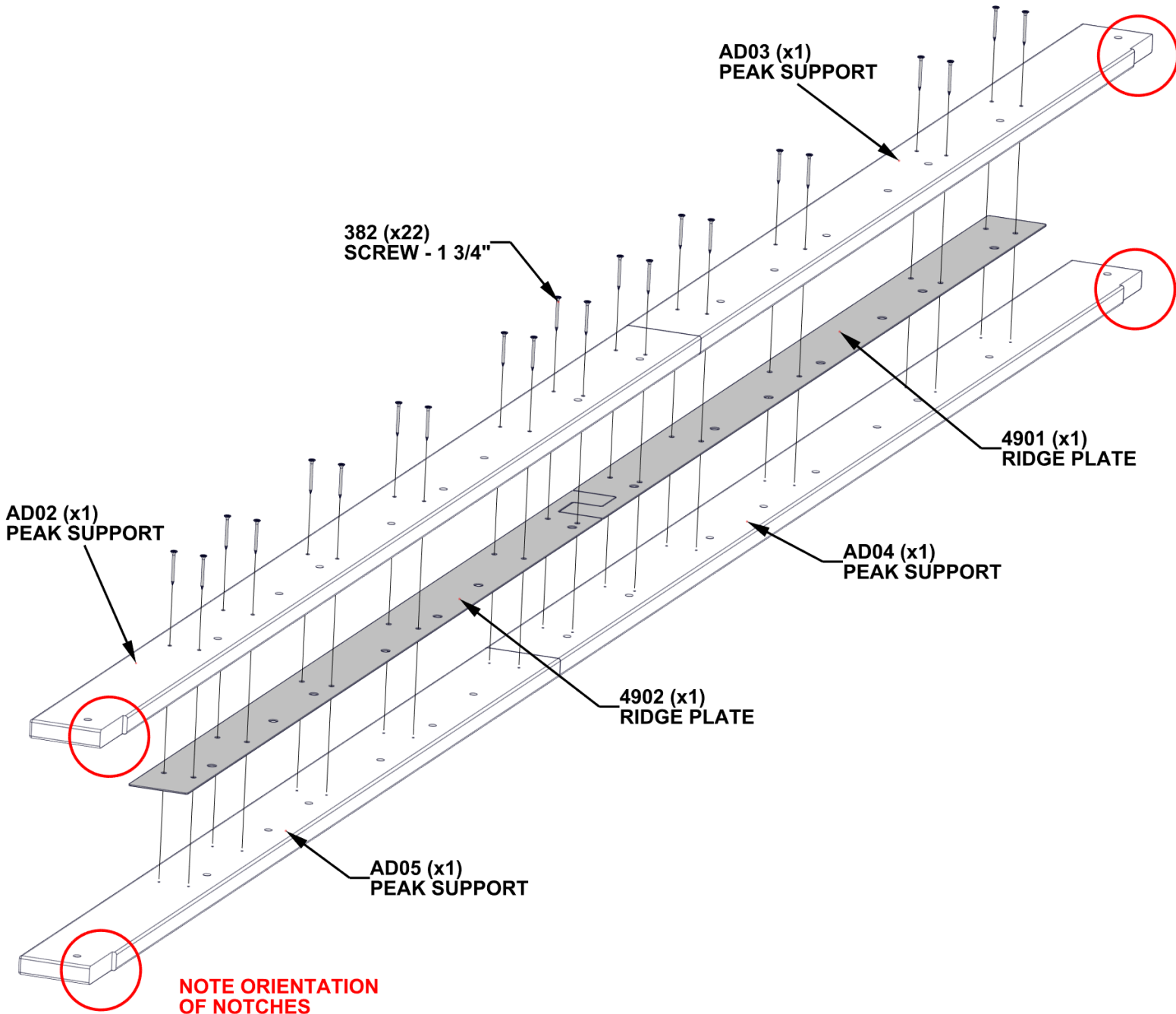
A4M04902 RIDGE PLATE
(x1)



A4M04901 RIDGE PLATE
(x1)

- NOTE ORIENTATION OF AD02, AD03, AD04, AND AD05 BOARDS
- ALIGN AD02/AD03 AND RIDGE PLATE HOLES WITH PILOT HOLES IN AD04/AD05 BOARD.

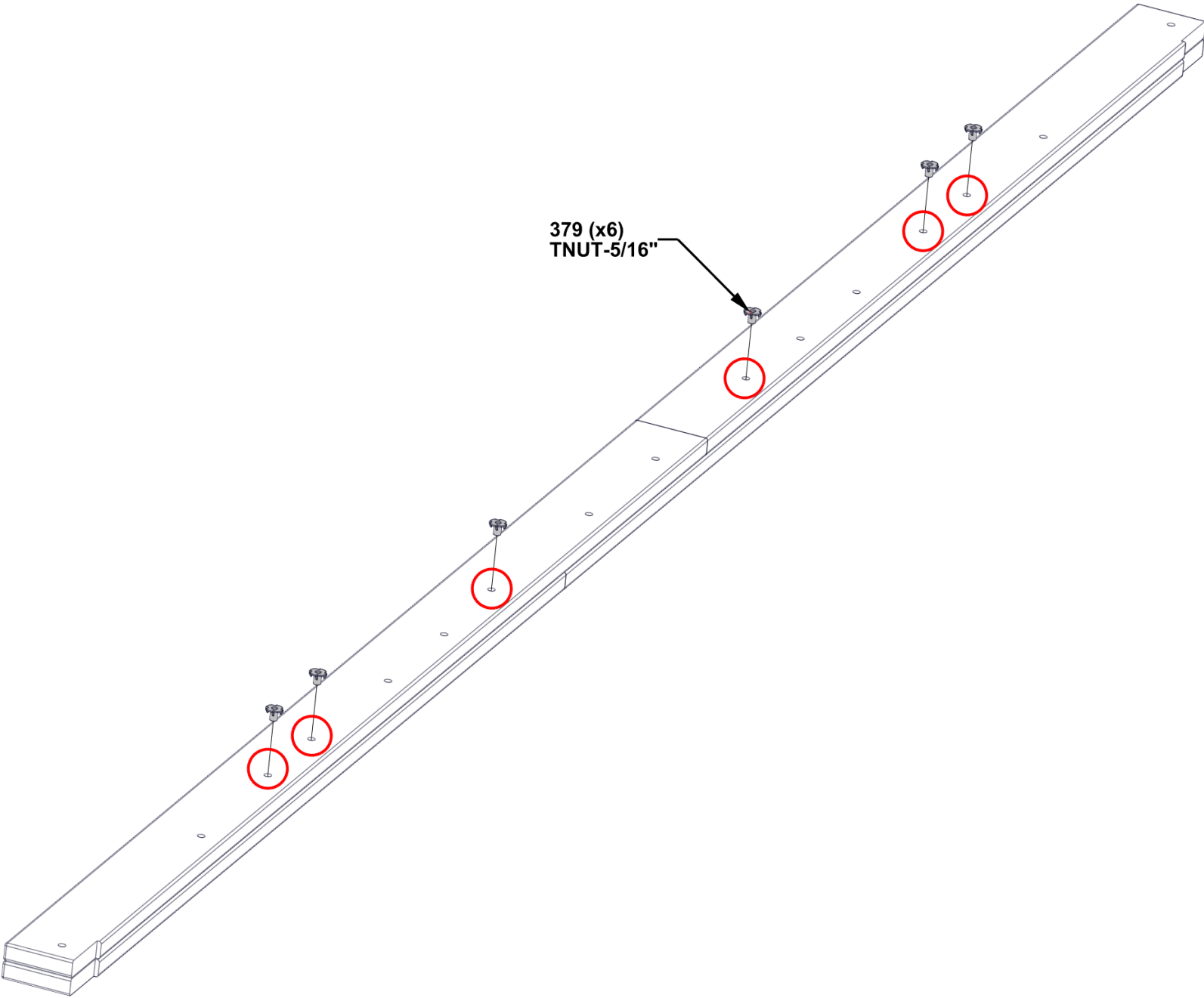
NOTE ORIENTATION OF NOTCHES



STEP 24B - RIDGE PEAK ASSEMBLY

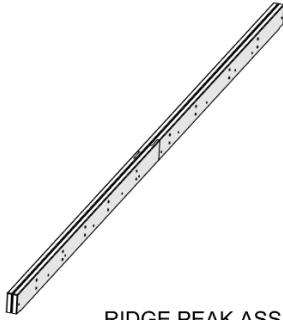
QTY	PART NUMBER	DESCRIPTION
6	H100379	TNUT-5/16" BLK

- ROTATE ASSEMBLY FROM PREVIOUS STEP TO REFLECT SCREWS FACING DOWN.



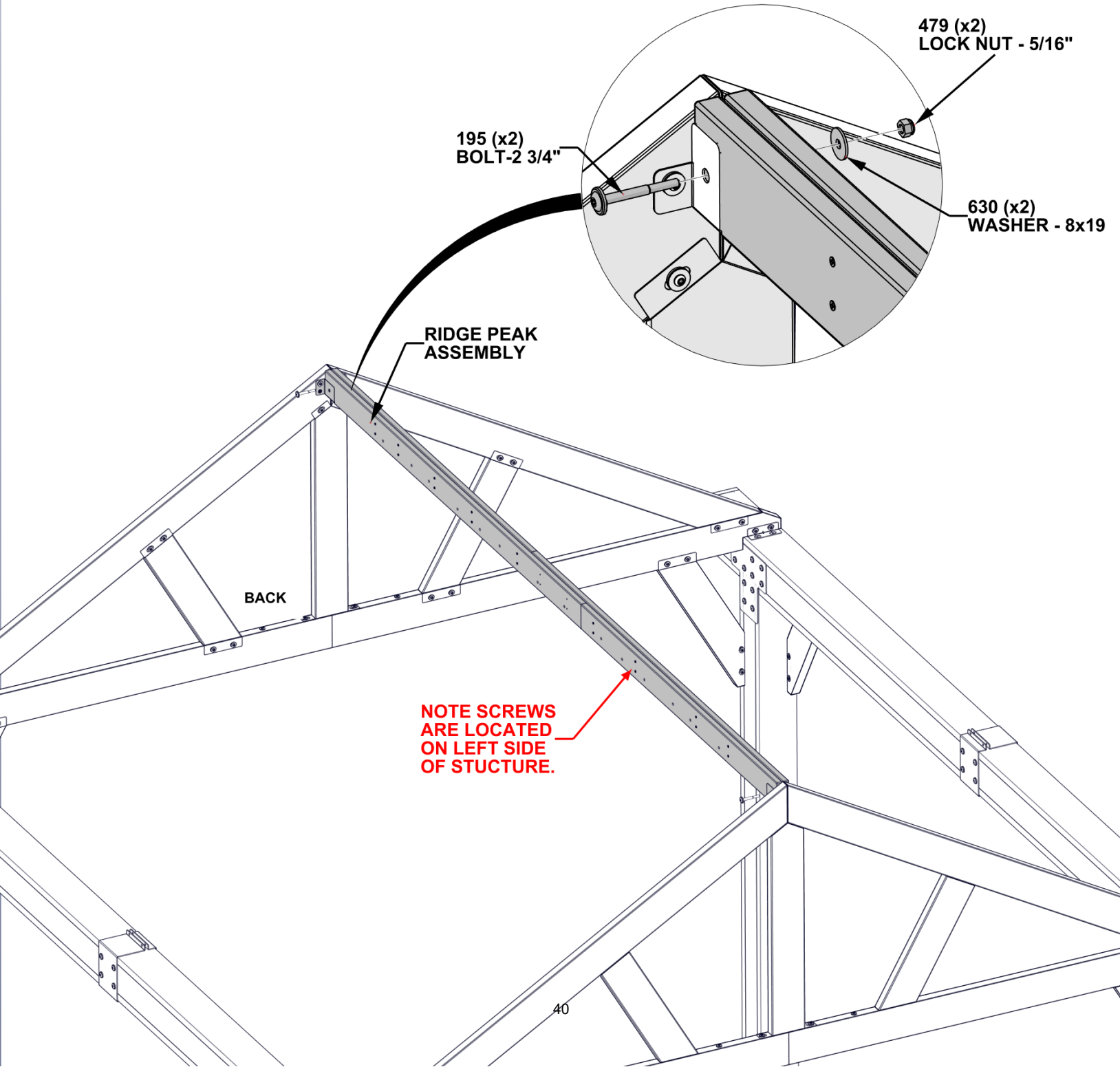
STEP 25 - RIDGE PEAK ASSEMBLY

QTY	PART NUMBER	DESCRIPTION
2	H100195	BOLT WH 5/16x2 3/4 BLK
2	H100479	NUT LOCK 5/16 BLK
2	H100630	WASHER FLAT 8x19 BLK



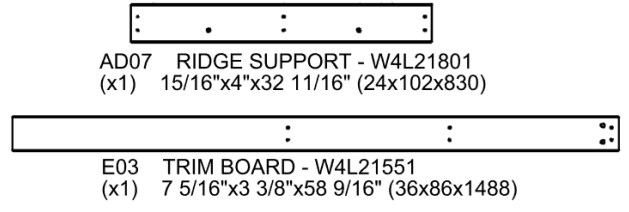
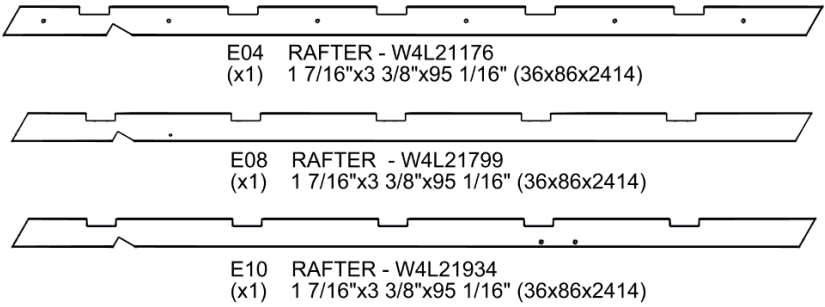
RIDGE PEAK ASSEMBLY

- ALIGN HOLES IN RIDGE PEAK ASSEMBLY FROM PREVIOUS STEP WITH HOLES IN RIDGE CLIP BRACKET.
- FULLY TIGHTEN HARDWARE.

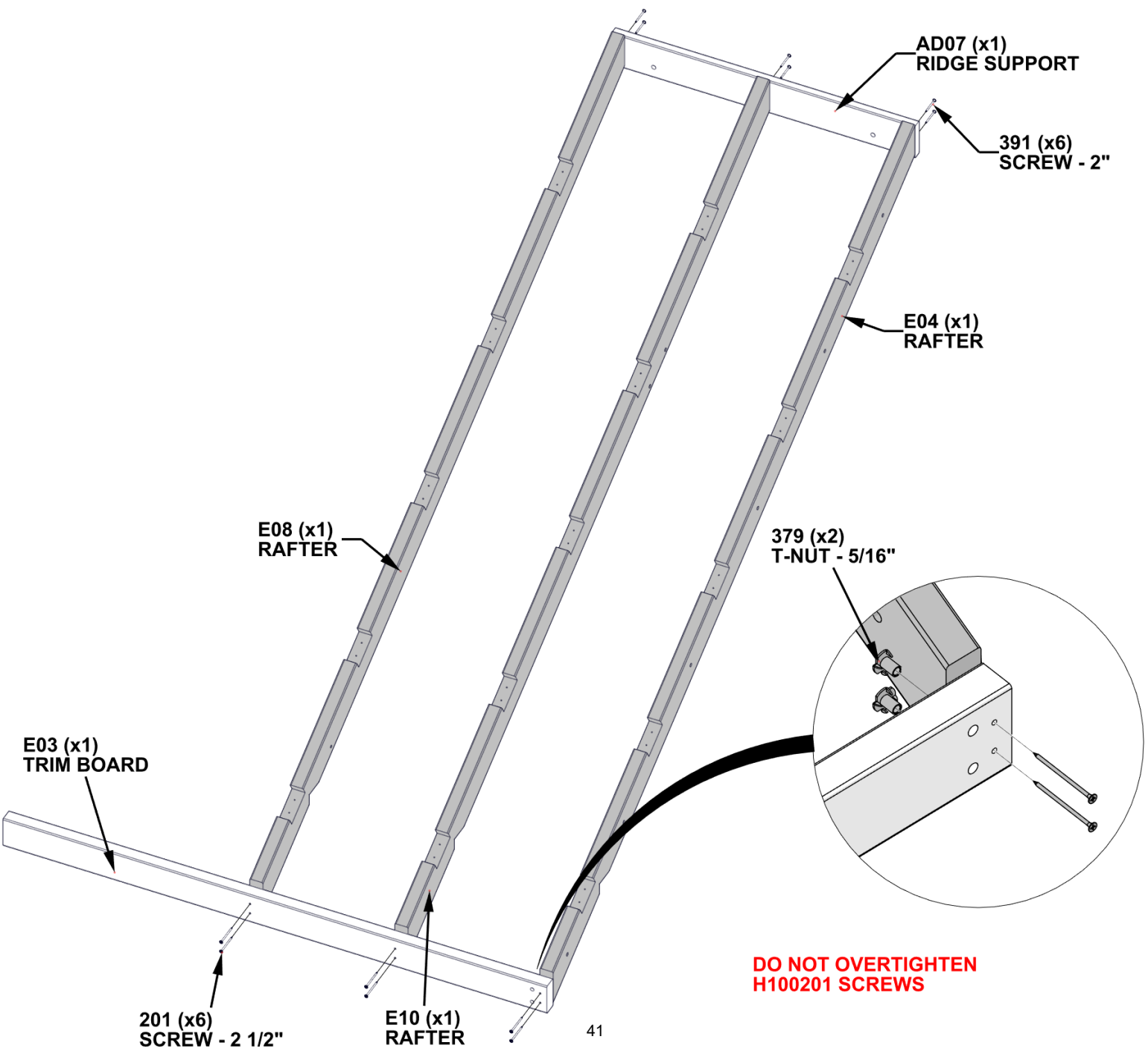


STEP 26A - ROOF PANEL 'A' ASSEMBLY

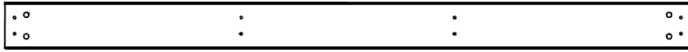
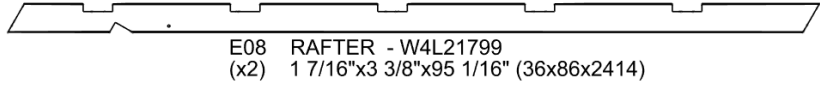
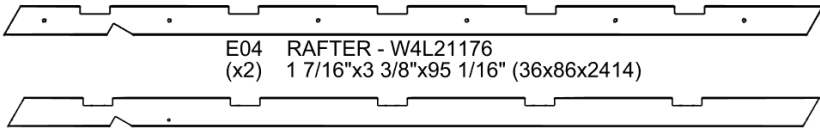
QTY	PART NUMBER	DESCRIPTION
6	H100201	SCREW PFH 8x2 1/2 BLK
2	H100379	T-NUT 5/16 BLK
6	H100391	SCREW PFH 8x2 BLK



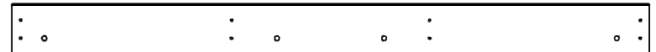
- INSERT T-NUTS FIRST, FAILURE TO DO SO WILL RESULT IN INCORRECT ASSEMBLY.
- NOTE ORIENTATION OF E03 BOARD AND HOLES IN AD07 BOARD ARE TOWARD THE BOTTOM.
- ALIGN AD07 AND E03 WITH PILOT HOLES IN RAFTER BOARDS.
- TO HELP WITH ORGANIZATION, WE SUGGEST WRITING 'S1A' ON THE SCREW SIDE OF AD07 RIDGE SUPPORT TO KEEP TRACK OF SECTION 1, PANEL A.



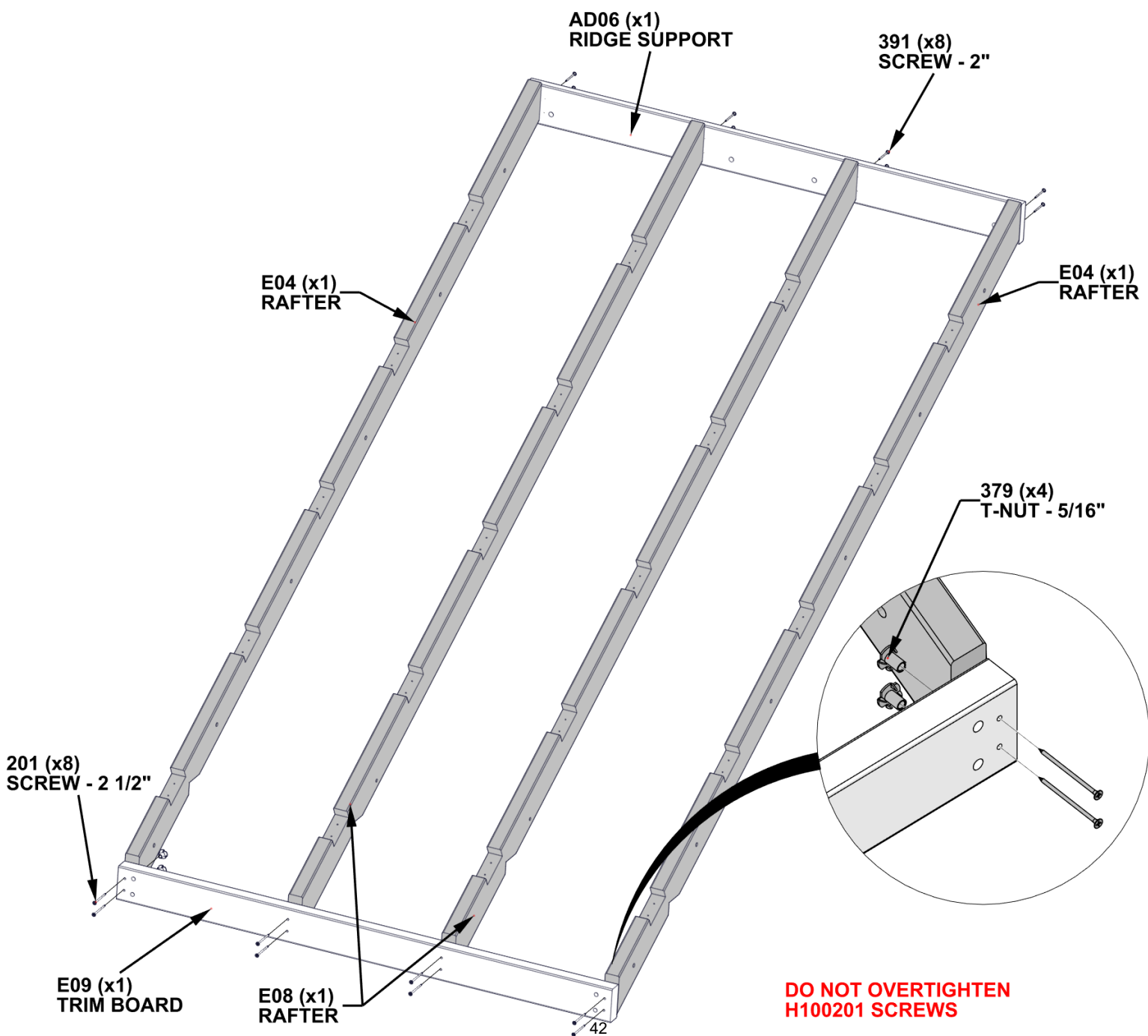
STEP 26B - ROOF PANEL 'A' ASSEMBLY



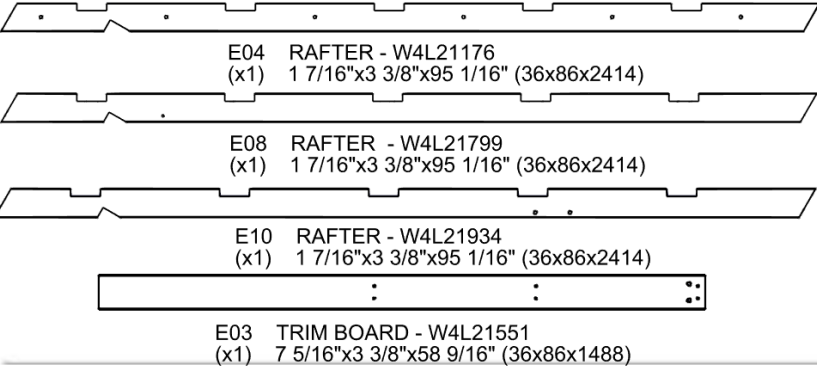
QTY	PART NUMBER	DESCRIPTION
8	H100201	SCREW PFH 8x2 1/2 BLK
4	H100379	T-NUT 5/16 BLK
8	H100391	SCREW PFH 8x2 BLK



- INSERT T-NUTS FIRST, FAILURE TO DO WILL RESULT IN INCORRECT ASSEMBLY.
- NOTE ORIENTATION OF E09 BOARD AND HOLES IN AD06 BOARD ARE TOWARD THE BOTTOM.
- ALIGN AD06 AND E09 WITH PILOT HOLES IN RAFTER BOARDS
- TO HELP WITH ORGANIZATION, WE SUGGEST WRITING 'S2A' ON THE SCREW SIDE OF AD06 RIDGE SUPPORT TO KEEP TRACK OF SECTION 2, PANEL A.



STEP 26C - ROOF PANEL 'A' ASSEMBLY

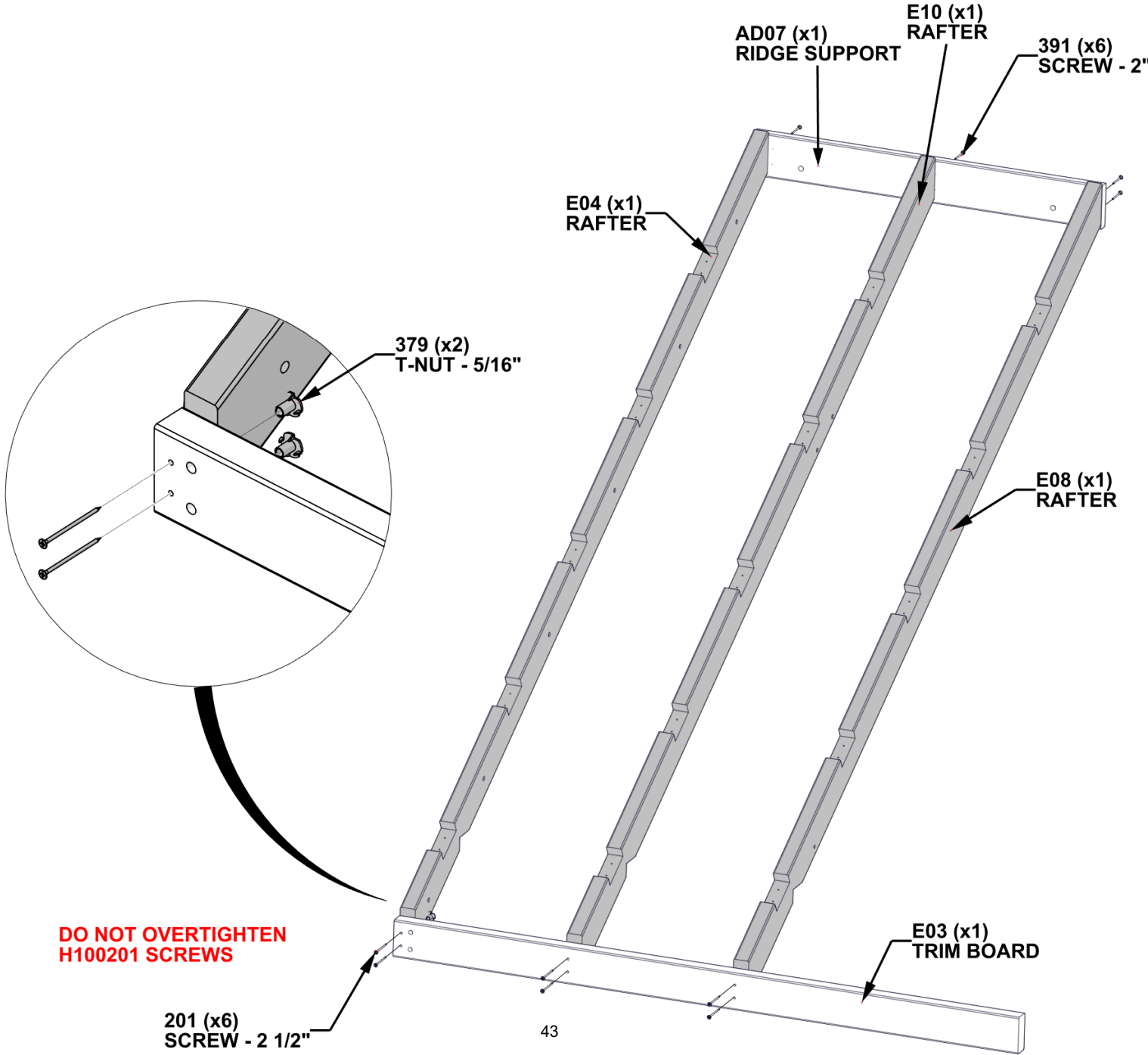


QTY	PART NUMBER	DESCRIPTION
6	H100201	SCREW PFH 8x2 1/2 BLK
2	H100379	T-NUT 5/16 BLK
6	H100391	SCREW PFH 8x2 BLK



AD07 RIDGE SUPPORT - W4L21801
(x1) 15 1/16"x4"x32 11/16" (24x102x830)

- INSERT T-NUTS FIRST, FAILURE TO DO SO WILL RESULT IN INCORRECT ASSEMBLY.
- NOTE ORIENTATION OF E03 BOARD AND HOLES IN AD07 BOARD ARE TOWARD THE BOTTOM.
- ALIGN AD07 AND E03 WITH PILOT HOLES IN RAFTER BOARDS.
- TO HELP WITH ORGANIZATION, WE SUGGEST WRITING 'S3A' ON THE SCREW SIDE OF AD07 RIDGE SUPPORT TO KEEP TRACK OF SECTION 3, PANEL A.

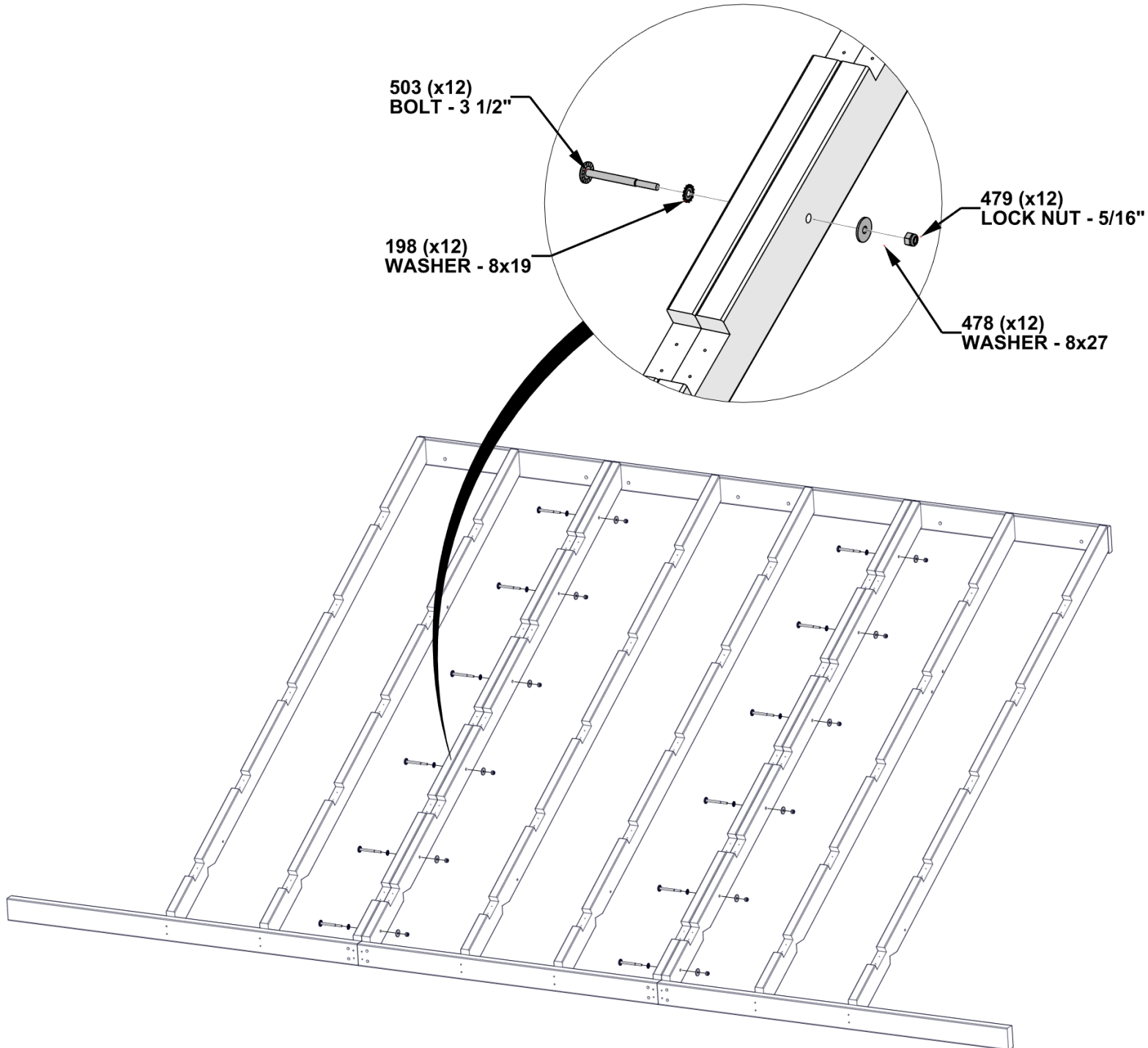


DO NOT OVERTIGHTEN H100201 SCREWS

STEP 26D - ROOF PANEL 'A' ASSEMBLY

QTY	PART NUMBER	DESCRIPTION
12	H100198	WASHER LOCK EXT 8x19
12	H100478	WASHER FLAT 8x27 BLK
12	H100479	NUT LOCK 5/16 BLK
12	H100503	BOLT WH 5/16x3 1/2 BLK

- ALIGN HOLES IN MIDDLE RAFTERS AND FASTEN HARDWARE AS SHOWN

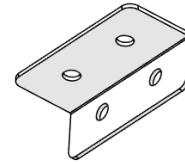


STEP 26E - ROOF PANEL 'A' ASSEMBLY

QTY	PART NUMBER	DESCRIPTION
20	H100171	BOLT WH 1/4x1 BLK
20	H100398	TNUT-1/4" BLK

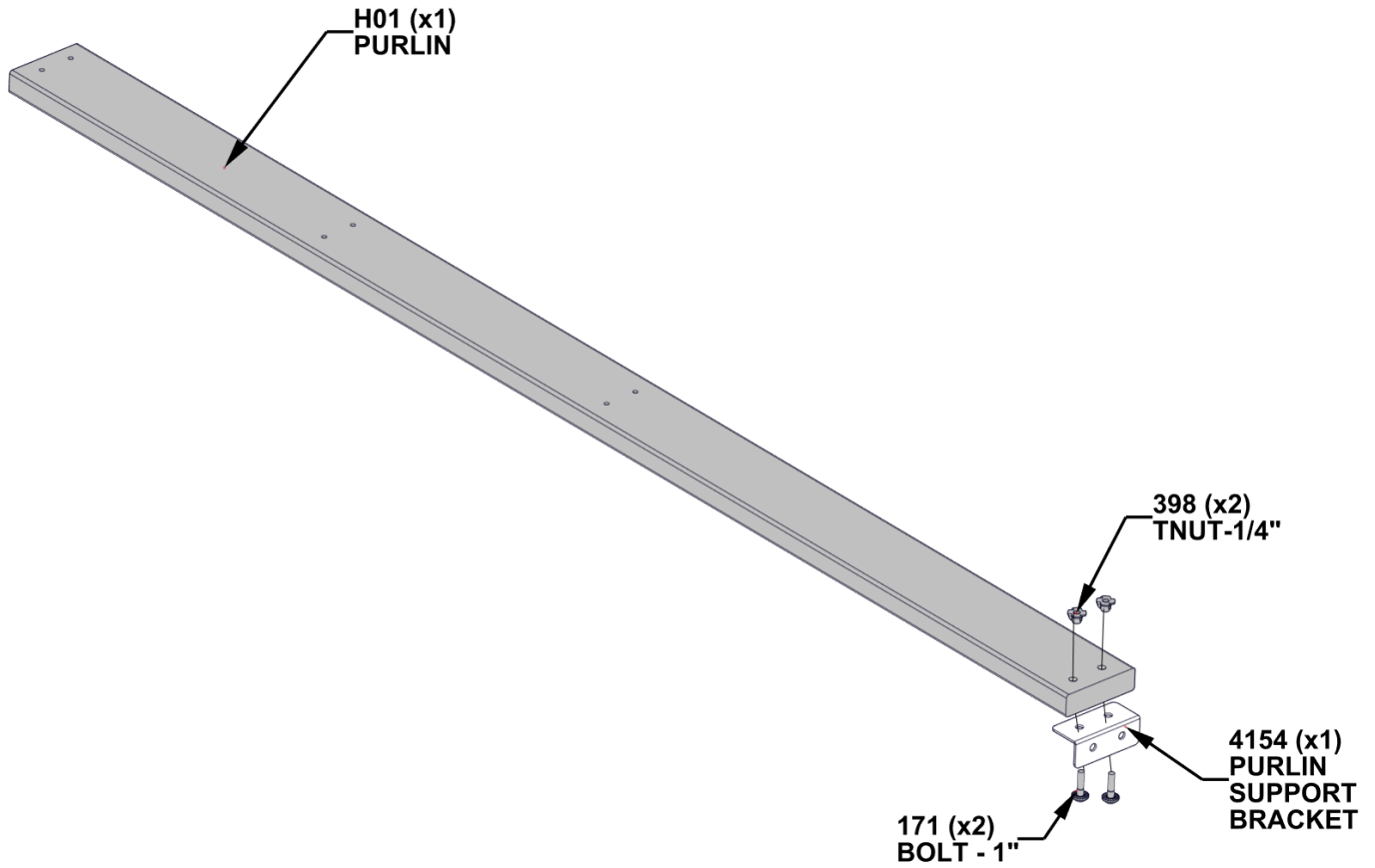


H01 PURLIN - W4L21550
(x10) 15/16"x3 3/8"x58 1/2" (24x86x1486)



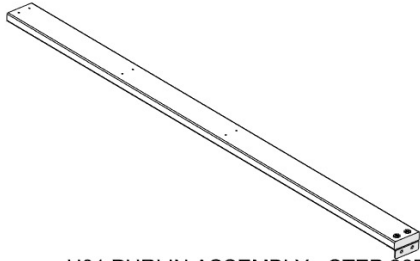
A4M04154 PURLIN SUPPORT BRACKET
(x10)

- NOTE ORIENTATION OF BRACKET, LONG PART OF BRACKET ATTACHES TO PURLIN BOARD.
- COMPLETE THIS STEP 10 TIMES.

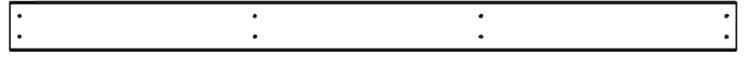


STEP 26F - ROOF PANEL 'A' ASSEMBLY

QTY	PART NUMBER	DESCRIPTION
100	H100391	SCREW PFH 8x2 BLK

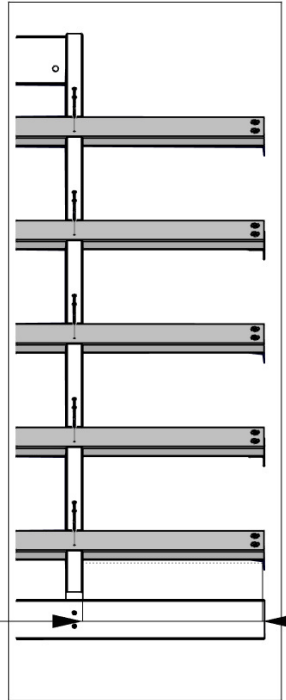
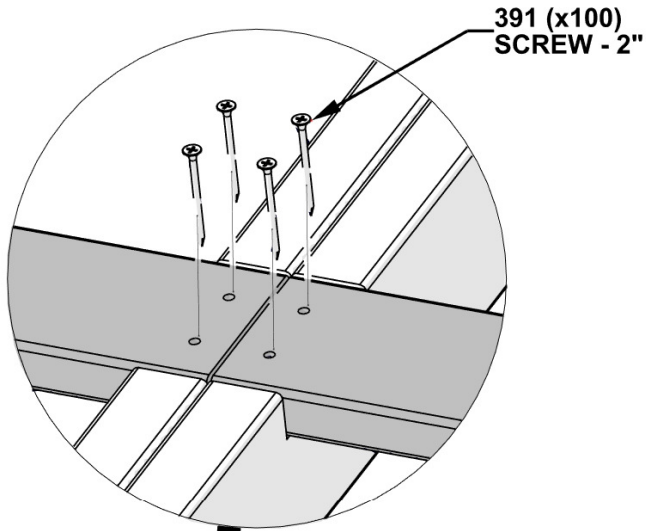


H01 PURLIN ASSEMBLY - STEP 26D
(x10)



H02 PURLIN - W4L21803
(x5) 15/16"x3 3/8"x50 1/16" (24x86x1272)

- ALIGN PURLINS WITH PILOT HOLES IN RAFTERS.



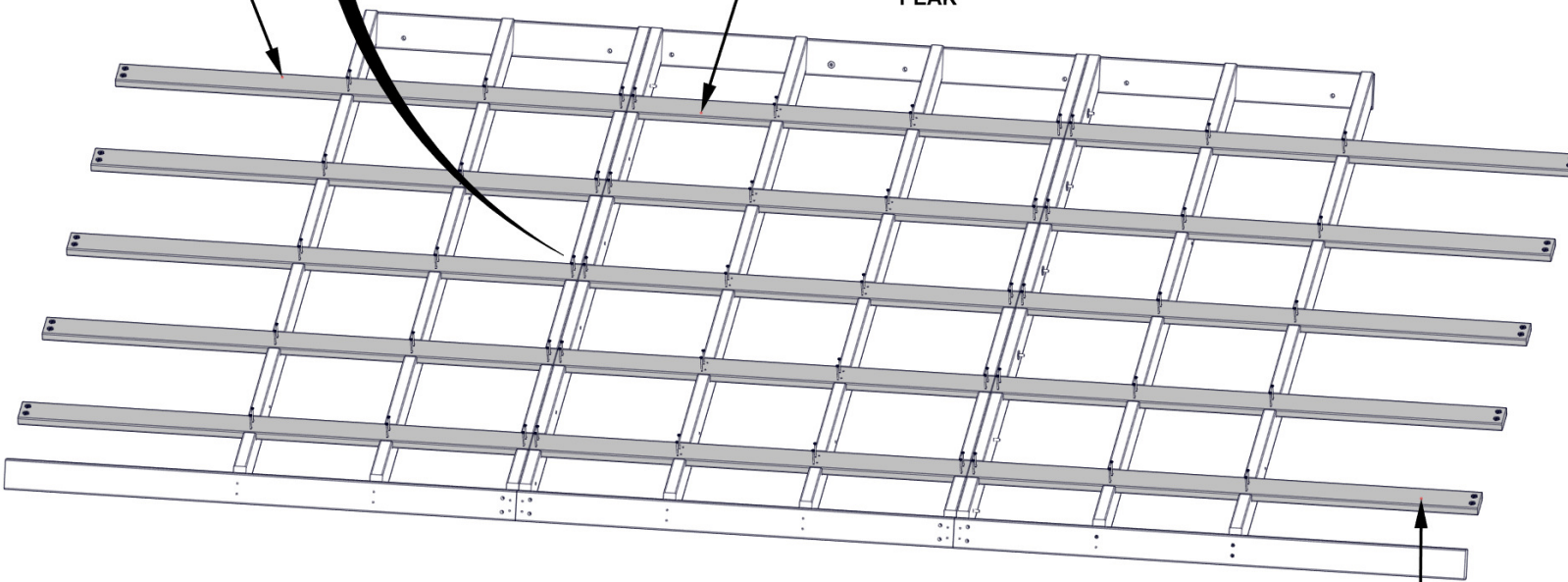
25-7/8" [657mm]

OVERHANG DISTANCE FOR PURLINS IS 25-7/8" [657mm] FROM END OF PURLIN TO RAFTER BOARD ON BOTH ENDS.

H01 (x5)
PURLIN
ASSEMBLY

H02 (x5)
PURLIN

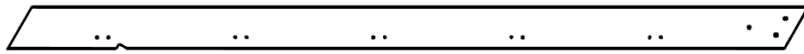
PEAK



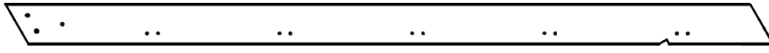
H01 (x5)
PURLIN
ASSEMBLY

STEP 26G - ROOF PANEL 'A' ASSEMBLY

QTY	PART NUMBER	DESCRIPTION
6	H100379	T-NUT 5/16 BLK
20	H100460	LAG SCREW WH 1/4x1 BLK



D01 FASCIA - W4L21164
(x1) 1 7/16"x5 1/4"x100" (36x134x2540)

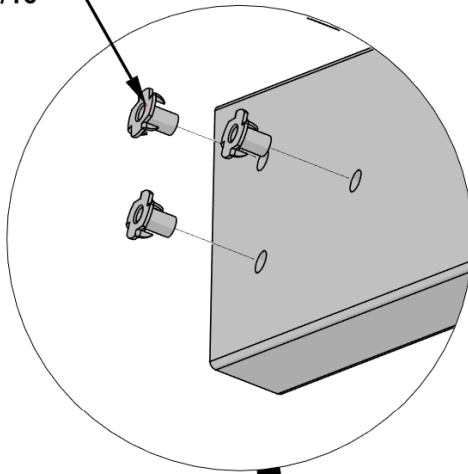


D02 FASCIA - W4L21175
(x1) 1 7/16"x5 1/4"x100" (36x134x2540)

- INSERT T-NUTS FIRST.

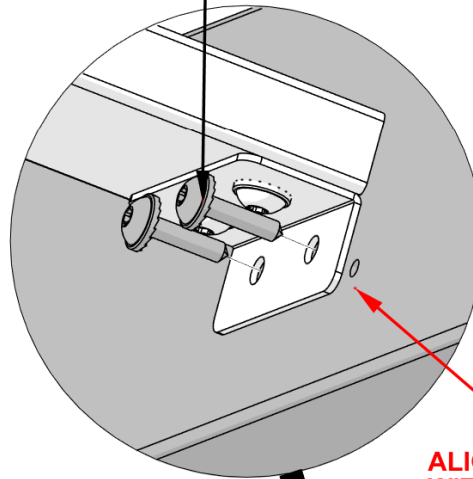
- ALIGN D01 AND D02 PILOT HOLES WITH HOLES IN 4154 BRACKETS ATTACHED IN PREVIOUS STEP.

379 (x6)
T-NUT - 5/16"



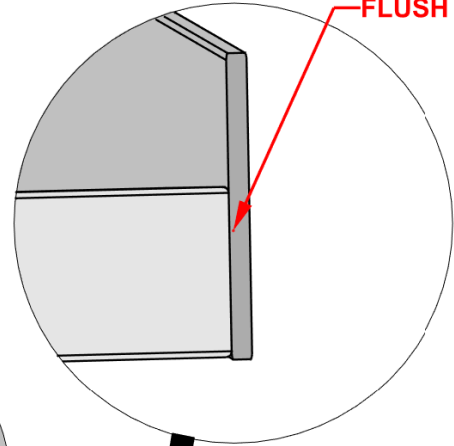
NOTE ORIENTATION OF NOTCH IN BOTH D01 AND D02 BOARDS

460 (x20)
LAG SCREW - 1"



ALIGN BRACKET WITH PILOT HOLES

FLUSH



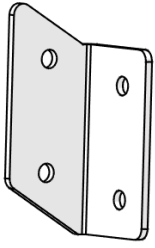
D01 (x1)
FASCIA

PEAK

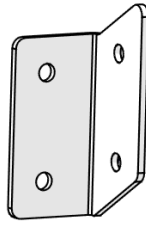
D02 (x1)
FASCIA

STEP 26H - ROOF PANEL 'A' ASSEMBLY

QTY	PART NUMBER	DESCRIPTION
8	H100797	SCREW PWH 8x1 BLK



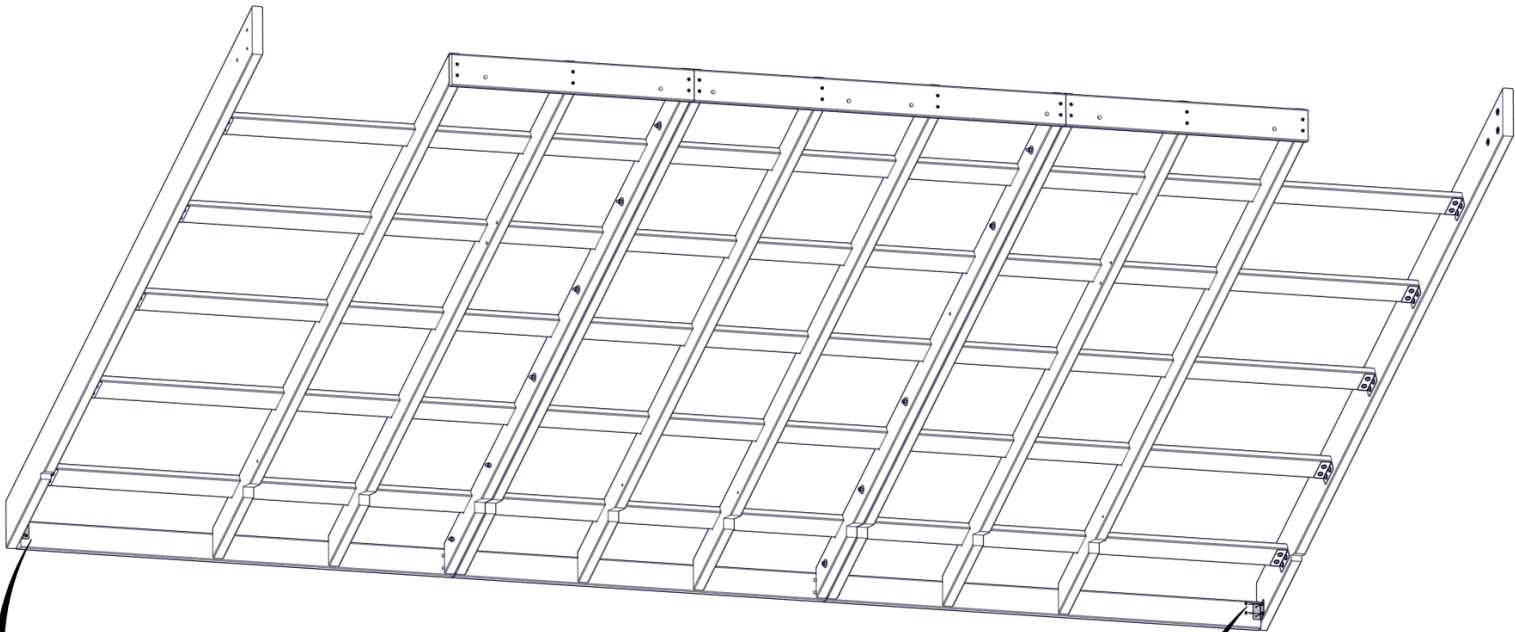
A4M04907 FASCIA BRACKET
(x1)



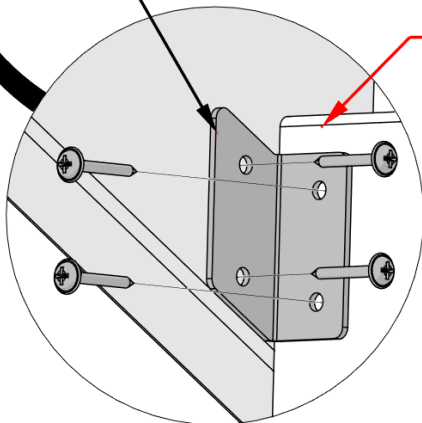
A4M04908 FASCIA BRACKET
(x1)

- ALIGN BRACKET 1/4" [6mm] FROM TOP OF TRIM BOARD AS SHOWN.
- ATTACH FASCIA BRACKET 4907 AND 4908 BY DRILLING A 1/8" [3mm] PILOT HOLE AND FASTENING WITH 797 SCREWS.

PEAK



4907 (x1)
FASCIA BRACKET

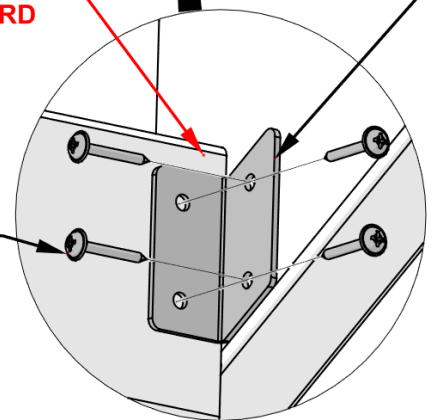


ALIGN BRACKET
1/4" [6mm] FROM
TOP OF BOARD

ALIGN BRACKET
1/4" [6mm] FROM
TOP OF BOARD

4908 (x1)
FASCIA BRACKET

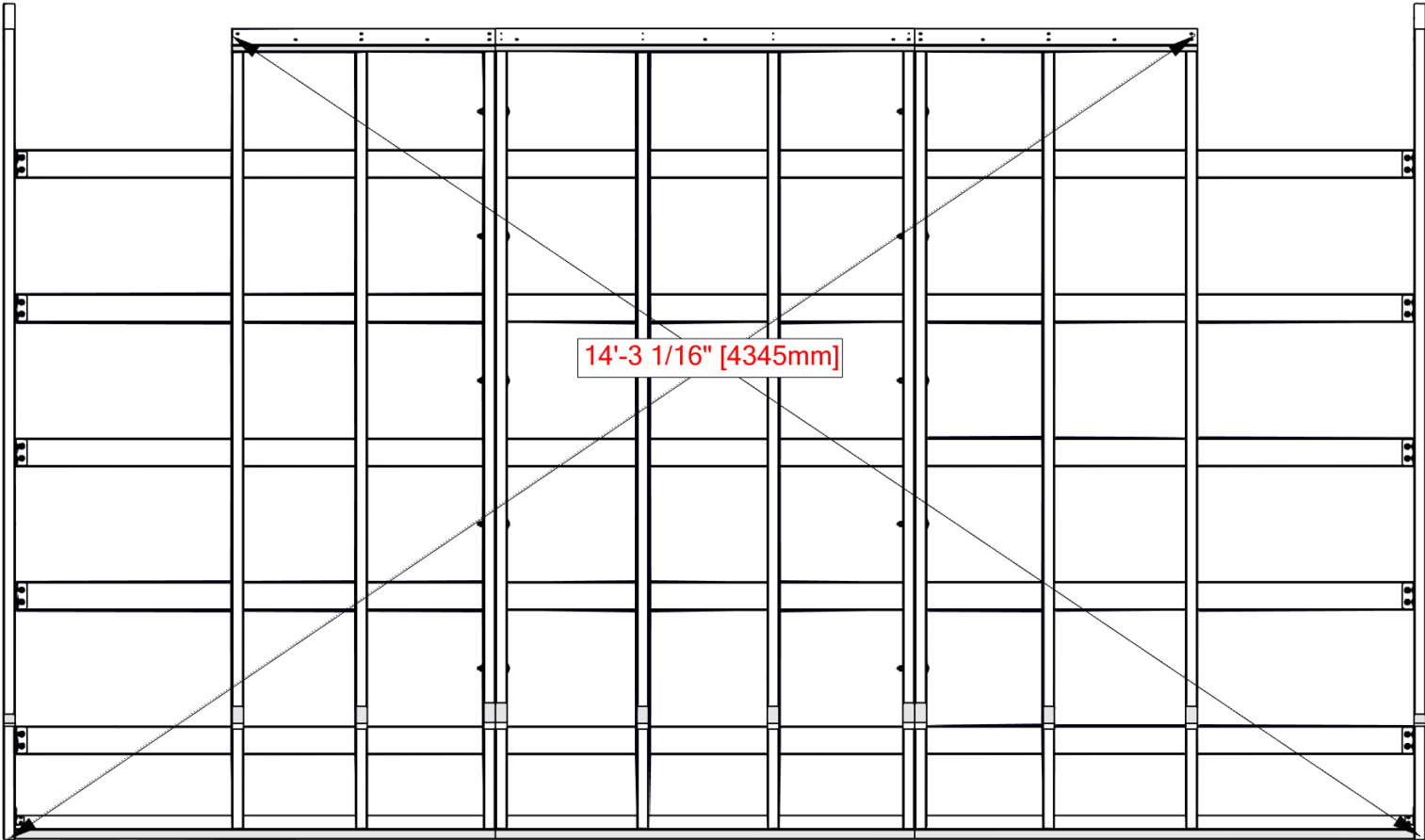
797 (x8)
SCREW - 1"



STEP 26I - ROOF PANEL 'A' ASSEMBLY

CRITICAL:

- SQUARE UNIT BEFORE PROCEEDING TO NEXT STEPS.
- THE BELOW DIMENSIONS ARE CRITICAL TO THE FINAL ROOF ASSEMBLY.
- MEASUREMENTS BELOW SHOULD BE HELD WITH IN +/- 1/4" [6mm].
- MEASUREMENTS OUTSIDE OF TOLERANCE WILL LEAD TO THE INABILITY TO ASSEMBLE THE ROOF.

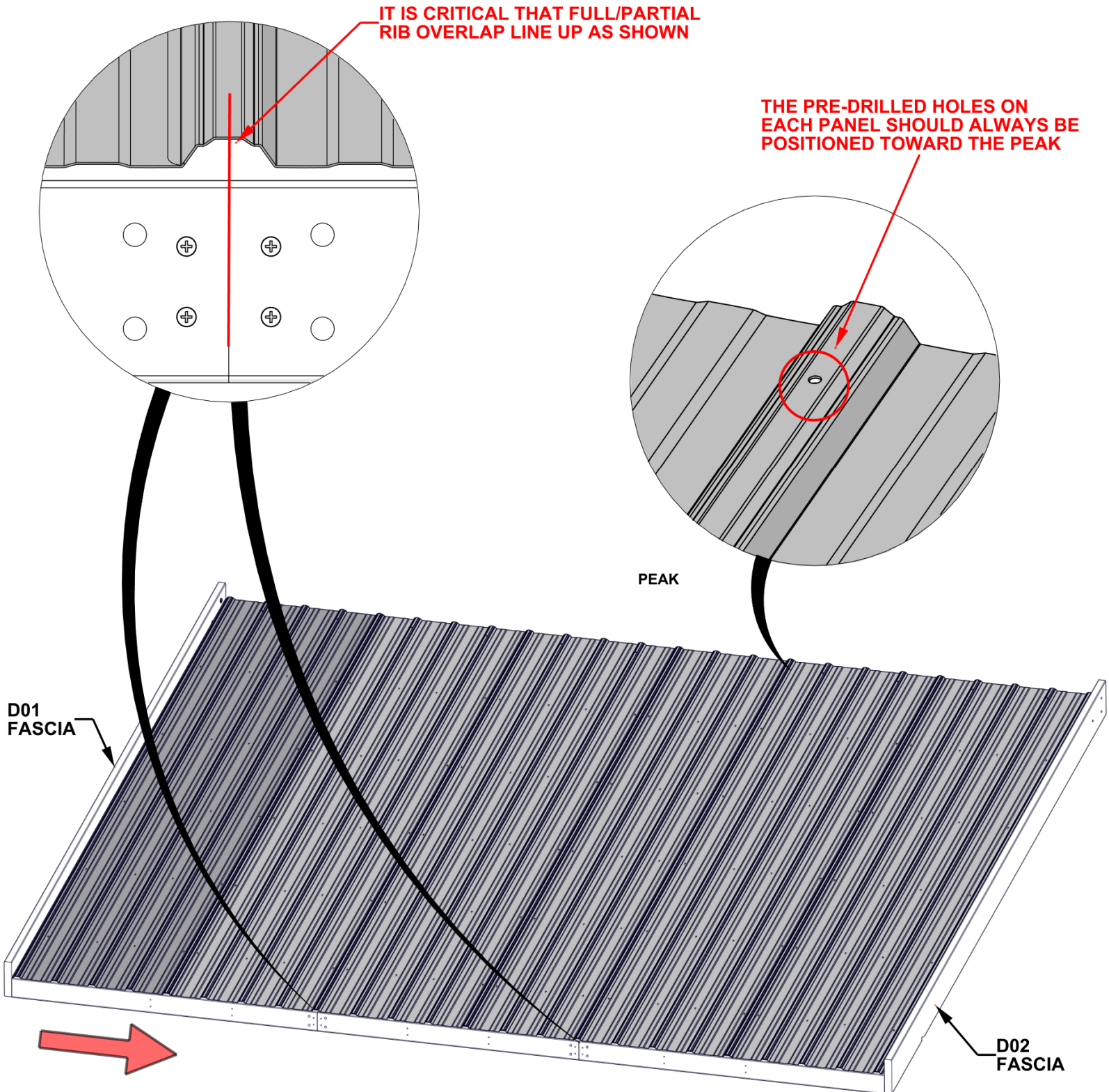


TIP : LOOSEN HARDWARE TO ADJUST FOR SQUARING IF NEEDED

STEP 27 - ROOF PANEL 'A' ASSEMBLY

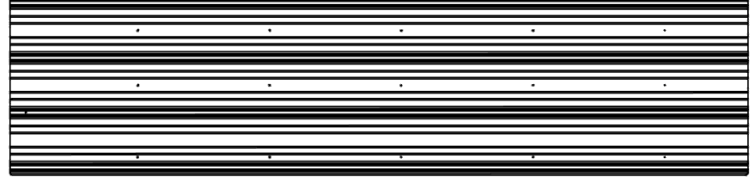
- USE THIS PAGE TO FAMILIARIZE YOUR SELF WITH ROOF PANEL AND ASSIST YOU IN STEPS 28-31.
- REMOVE PROTECTIVE BLUE FILM.
- START AT THE END INDICATED AND ASSEMBLE IN THE DIRECTION OF THE ARROW

- **GLOVES SHOULD BE WORN WHEN HANDLING ROOF PANELS: EDGES ARE SHARP.**
- **START BY PLACING FIRST SHEET 1/8" [3mm] FROM D01 FASCIA BOARD, THE LAST SHEET SHOULD ALIGN CLOSE TO THE EDGE OF THE D02 FASCIA BOARD.**



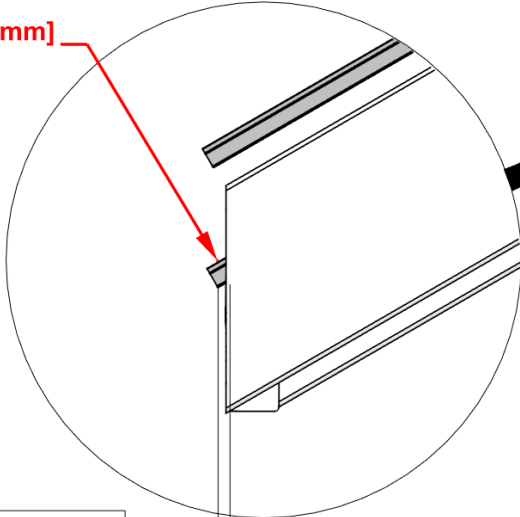
STEP 28 - ROOF PANEL 'A' ASSEMBLY

QTY	PART NUMBER	DESCRIPTION
40	H101117	SCREW WOODGRIP 10-16x3/4" BLK



- MAKE SURE ROOF PANEL IS SQUARE BEFORE MOVING ON.

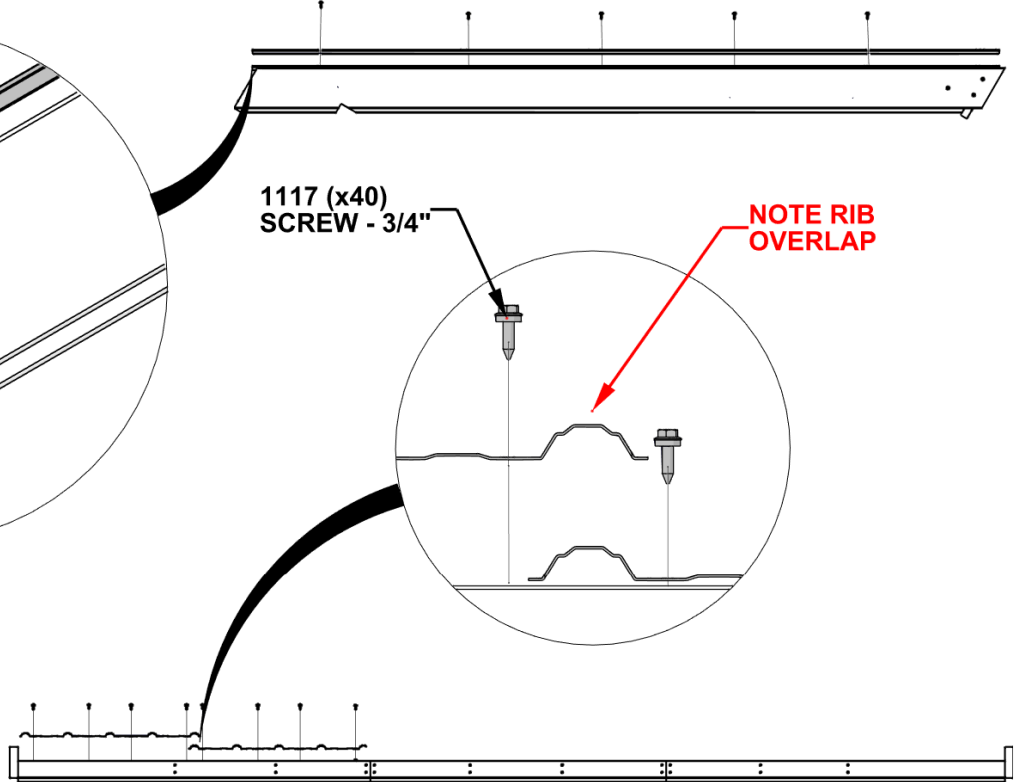
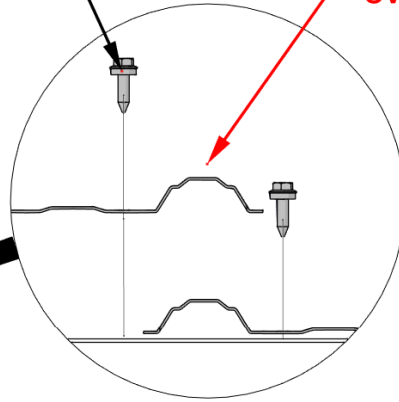
LEAVE 3/8" [10mm] OVERHANG



3/8" [10mm]

**1117 (x40)
SCREW - 3/4"**

NOTE RIB OVERLAP

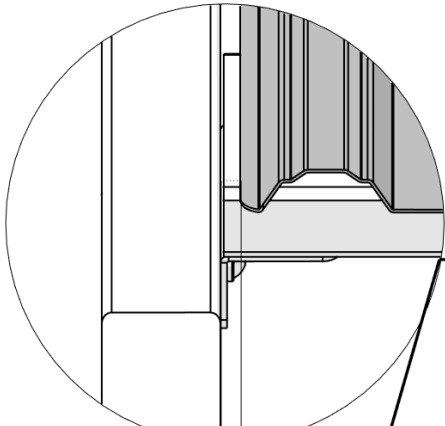


SHEETING SHOULD MEASURE 1/8" [3mm] FROM THE EDGE TO THE D01 BOARD AS SHOWN.

**4160 (x1)
29GA STEEL SHEETING**

**4903 (x1)
29GA STEEL SHEETING**

1/8" [3mm]



4903 SHEETING WILL HAVE A PARTIAL RIB

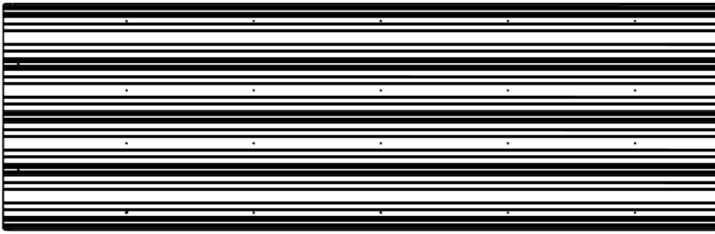
D01 FASCIA

FLUSH ENDS OF SHEETING

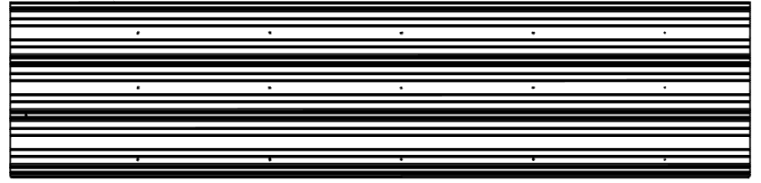


STEP 29 - ROOF PANEL 'A' ASSEMBLY

QTY	PART NUMBER	DESCRIPTION
35	H101117	SCREW WOODGRIP 10-16x3/4" BLK

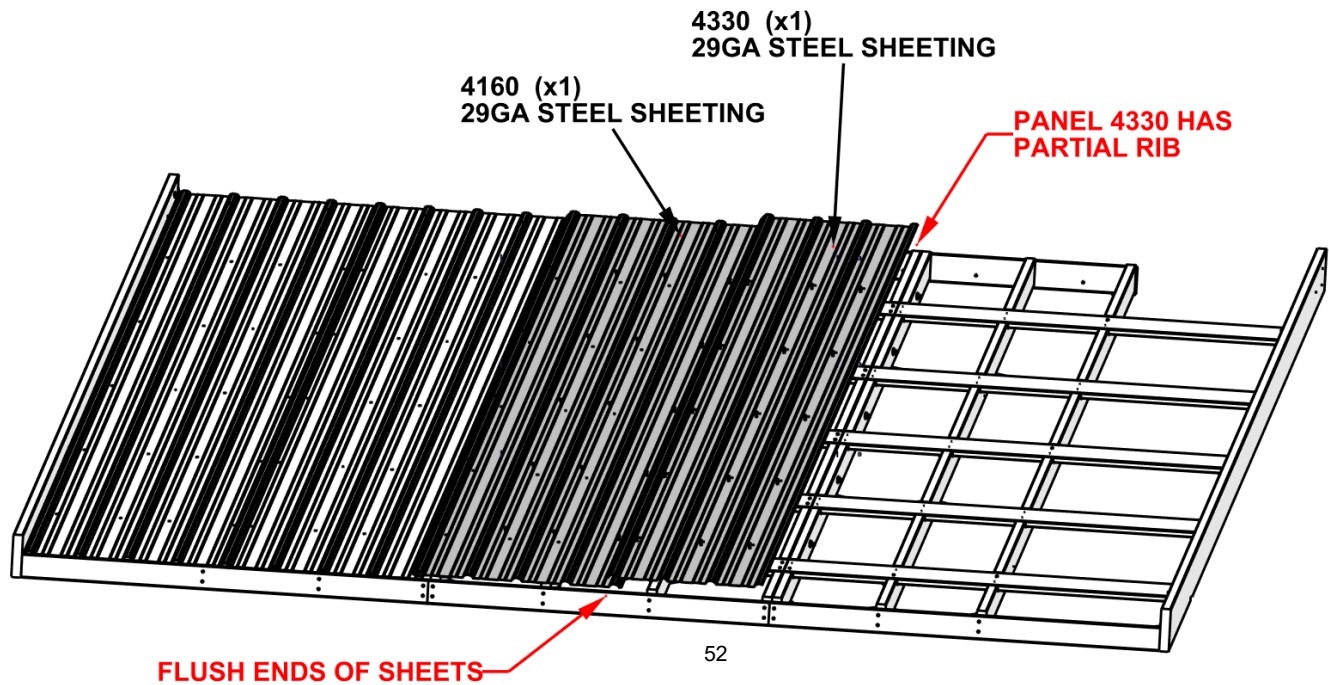
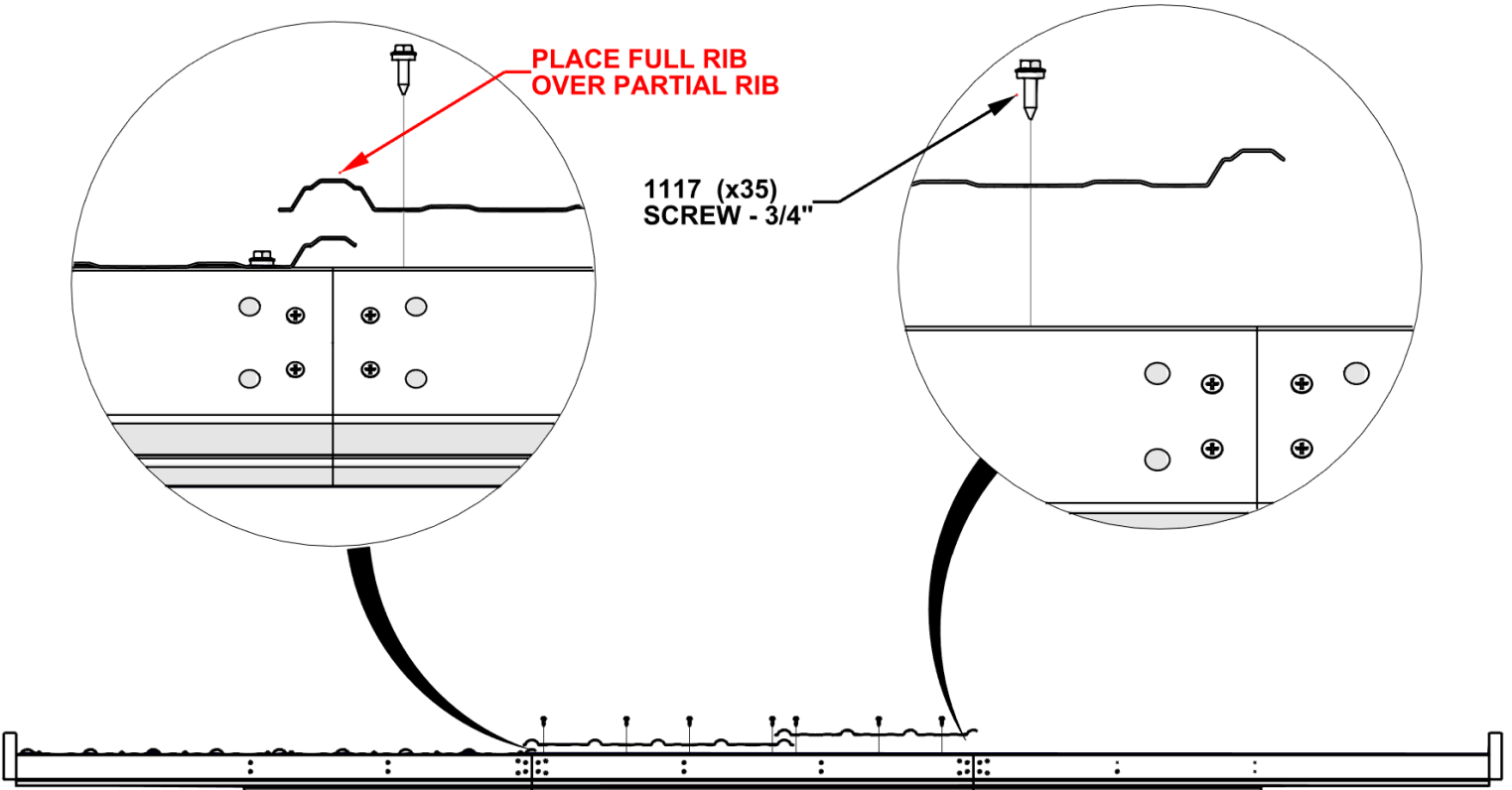


A4M04160 29GA STEEL SHEETING
(x1)



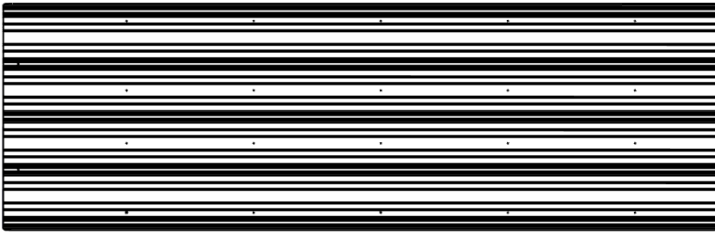
A4M04330 29GA STEEL SHEETING
(x1)

- PANEL A4M04330 WILL HAVE A PARTIAL RIB AS SHOWN BELOW.

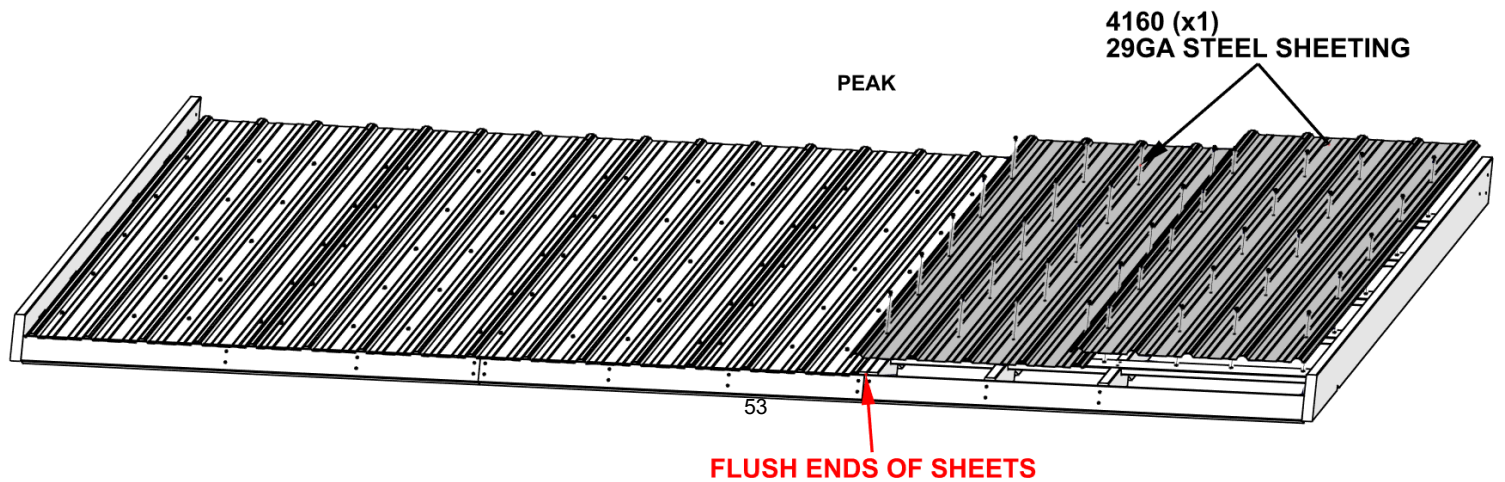
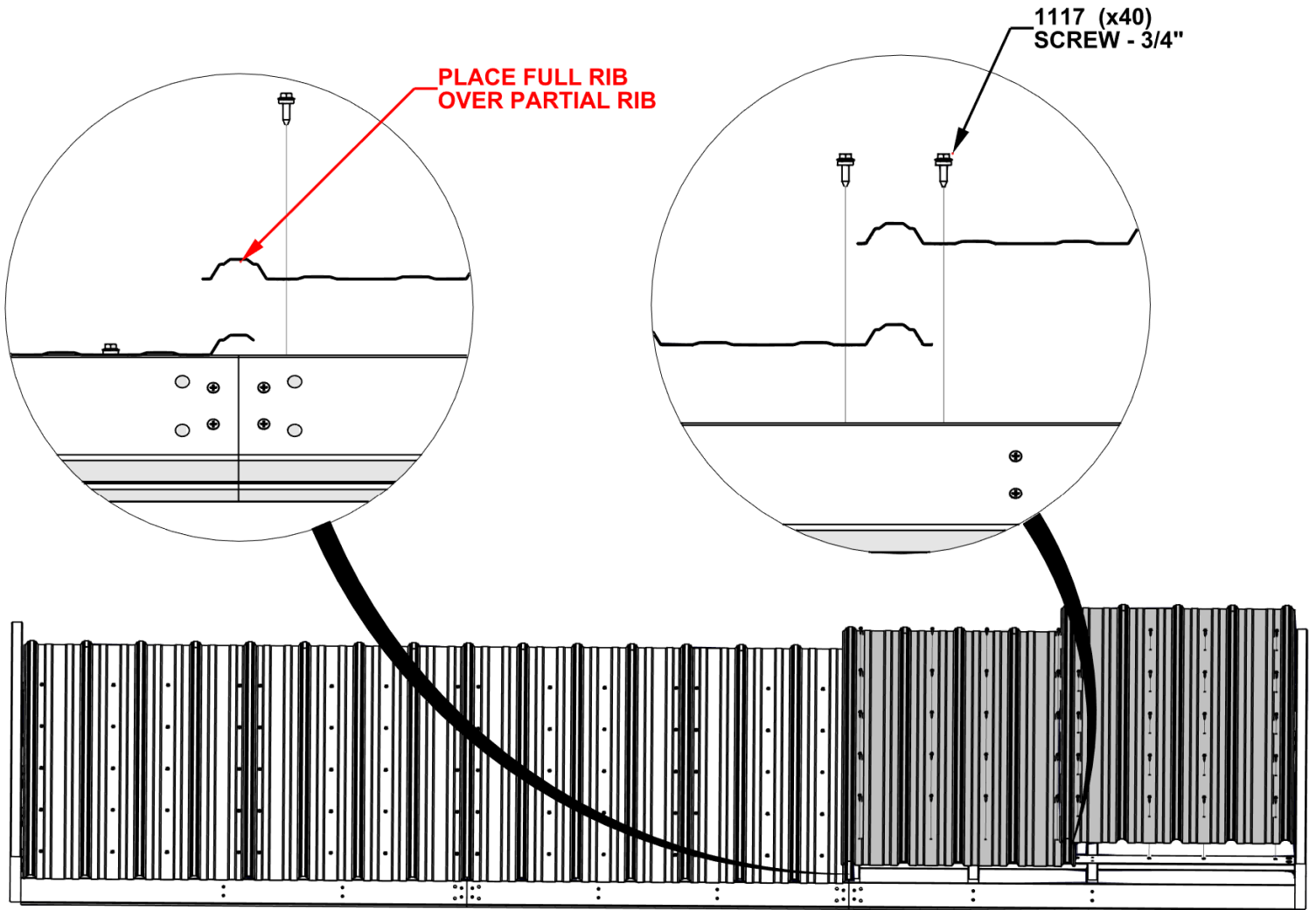


STEP 30 - ROOF PANEL 'A' ASSEMBLY

QTY	PART NUMBER	DESCRIPTION
40	H101117	SCREW WOODGRIP 10-16x3/4" BLK



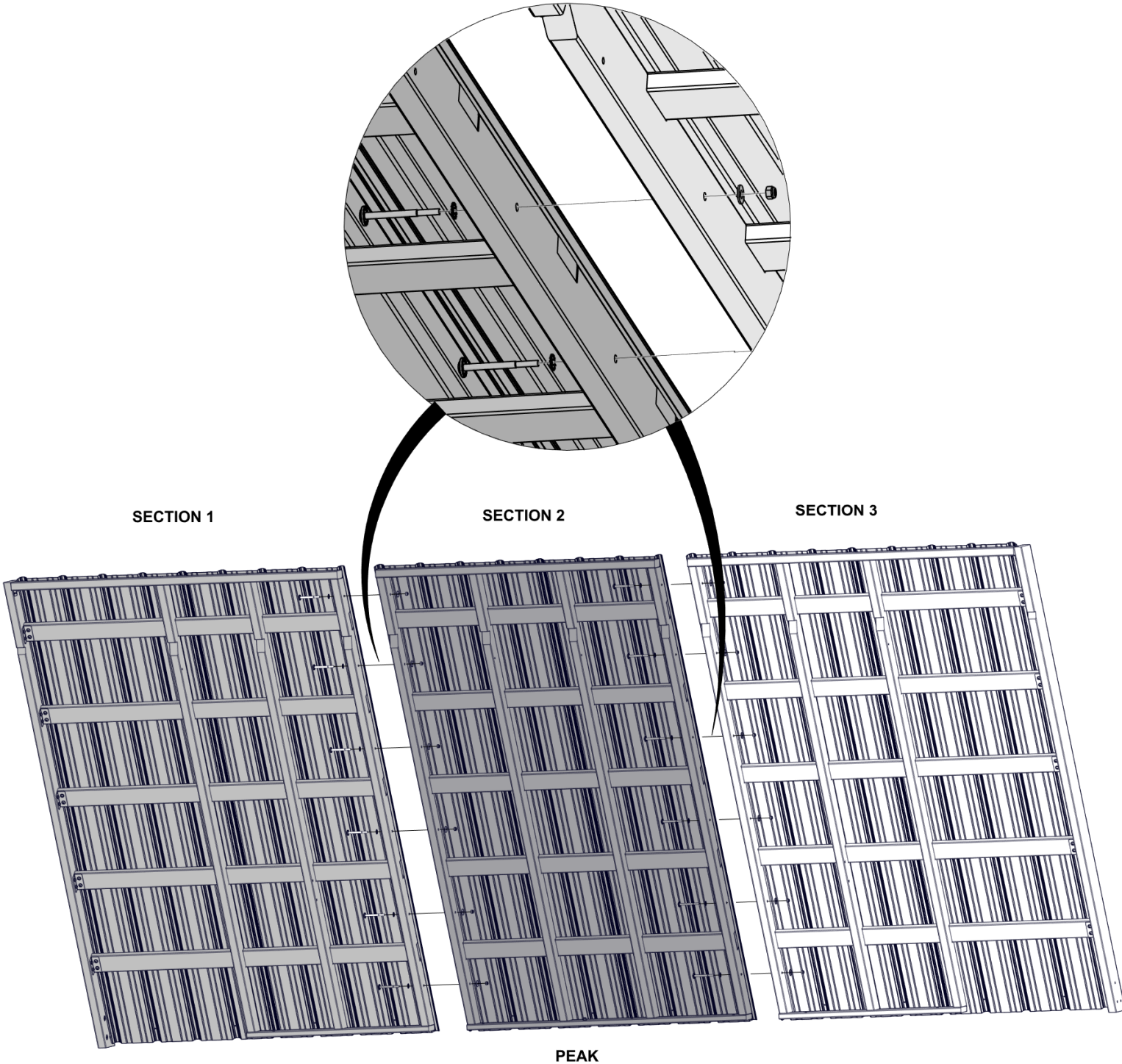
4160 29GA STEEL SHEETING
(x2)



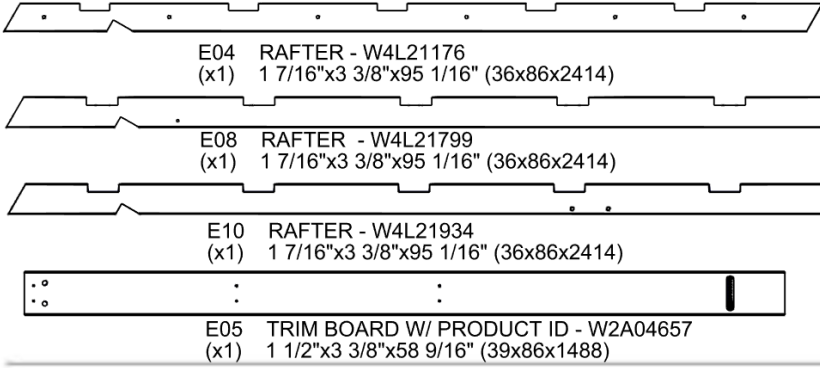
STEP 31 - ROOF PANEL 'A' ASSEMBLY

- SEPERATE ROOF PANEL FOR EASE OF ASSEMBLING.

- REMOVE HARDWARE AND SET ASIDE. IT WILL BE USED AGAIN AFTER BOTH SECTIONS ARE INSTALLED.



STEP 32A - ROOF PANEL 'B' ASSEMBLY

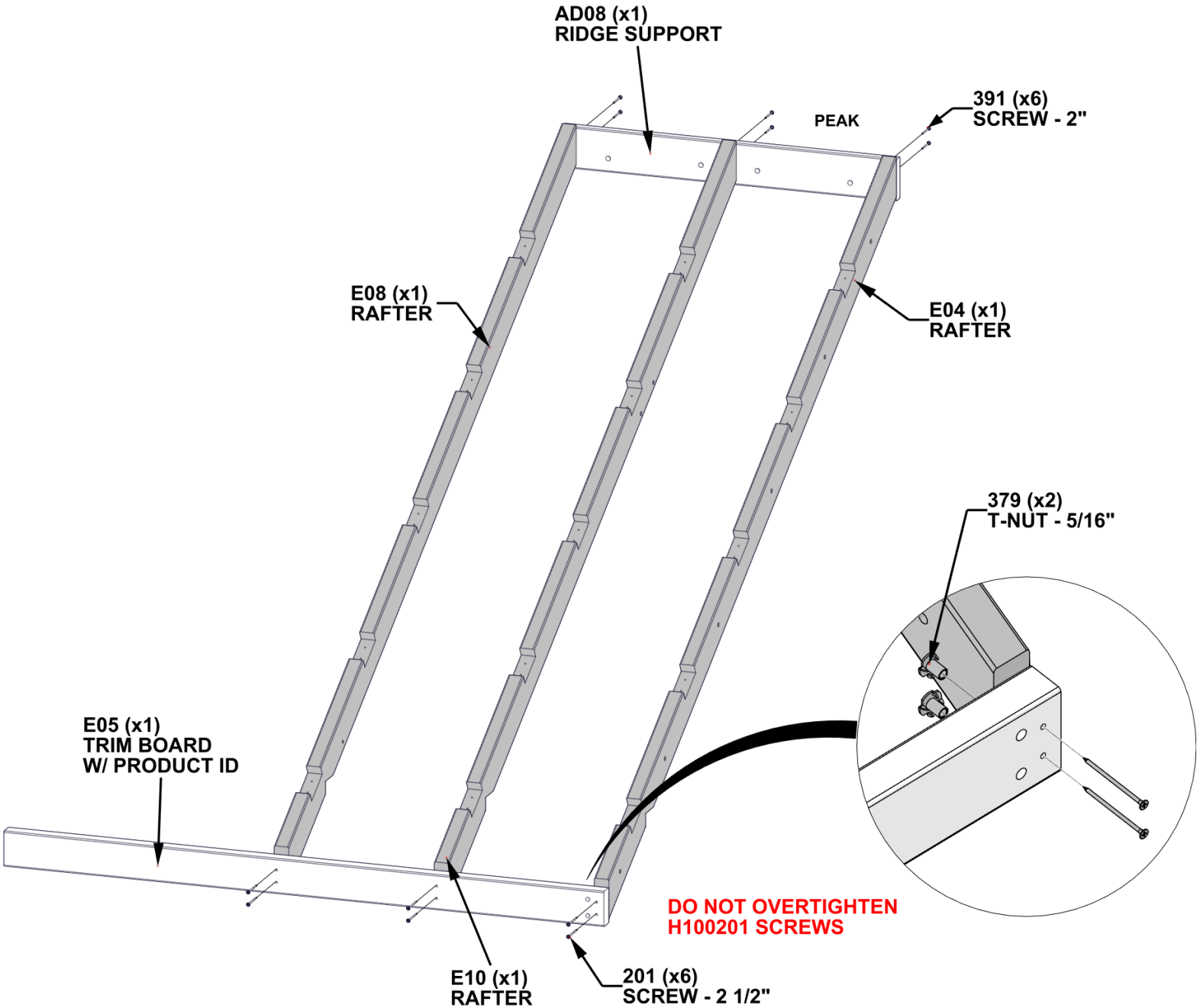


QTY	PART NUMBER	DESCRIPTION
6	H100201	SCREW PFH 8x2 1/2 BLK
2	H100379	T-NUT 5/16 BLK
6	H100391	SCREW PFH 8x2 BLK

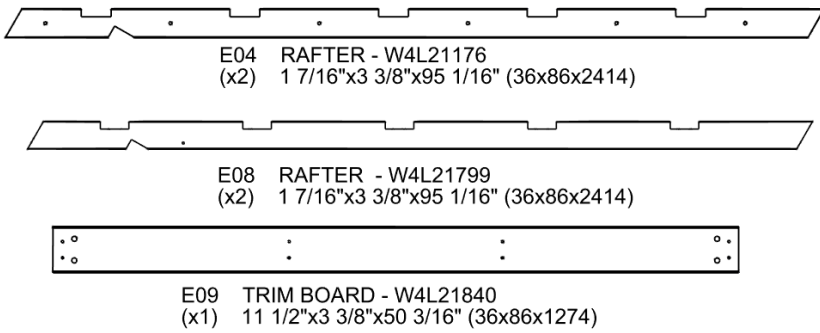


AD08 RIDGE SUPPORT - W4L21802
(x1) 15/16"x4"x32 11/16" (24x102x830)

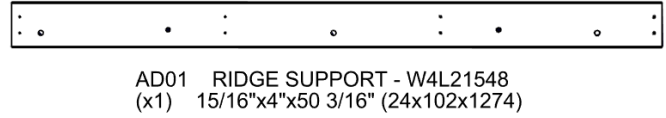
- INSERT T-NUTS FIRST. FAILURE TO DO SO WILL RESULT IN INCORRECT ASSEMBLY.
- NOTE ORIENTATION OF E05 BOARD AND HOLES IN AD08 BOARD ARE TOWARD BOTTOM.
- ALIGN AD08 AND E05 WITH PILOT HOLES IN RAFTER BOARDS.
- TO HELP WITH ORGANIZATION, WE SUGGEST WRITING 'S3B' ON THE SCREW SIDE OF AD08 RIDGE SUPPORT TO KEEP TRACK OF SECTION 3, PANEL B.



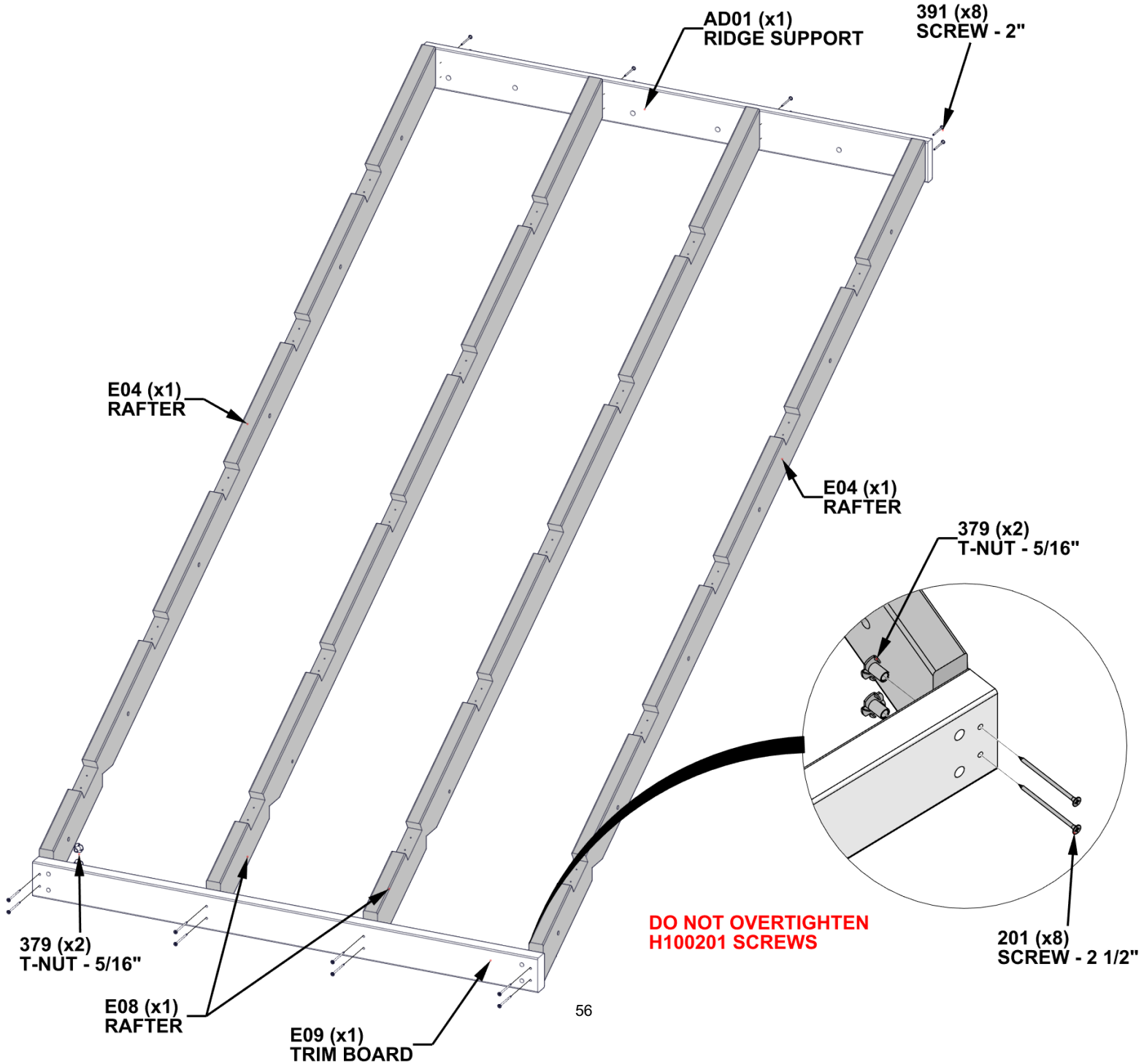
STEP 32B - ROOF PANEL 'B' ASSEMBLY



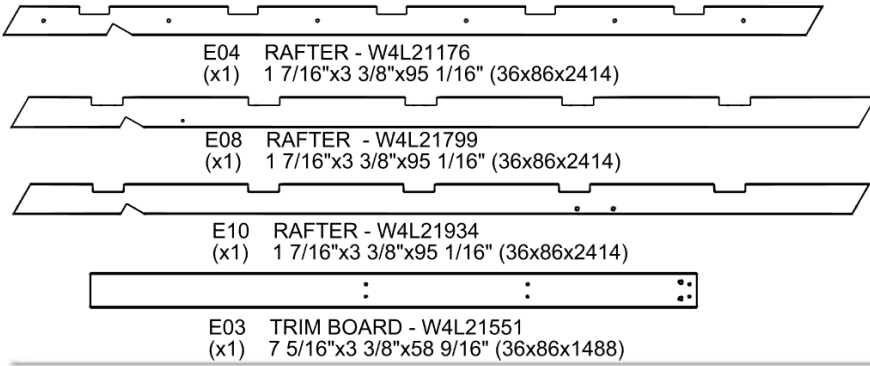
QTY	PART NUMBER	DESCRIPTION
8	H100201	SCREW PFH 8x2 1/2 BLK
4	H100379	T-NUT 5/16 BLK
8	H100391	SCREW PFH 8x2 BLK



- INSERT T-NUTS FIRST. FAILURE TO DO SO WILL RESULT IN INCORRECT ASSEMBLY.
- NOTE ORIENTATION OF E09 BOARD AND HOLES IN AD01 BOARD ARE TOWARD THE BOTTOM.
- ALIGN AD01 AND E09 WITH PILOT HOLES IN RAFTER BOARDS.
- TO HELP WITH ORGANIZATION, WE SUGGEST WRITING 'S2B' ON THE SCREW SIDE OF AD01 RIDGE SUPPORT TO KEEP TRACK OF SECTION 2, PANEL B

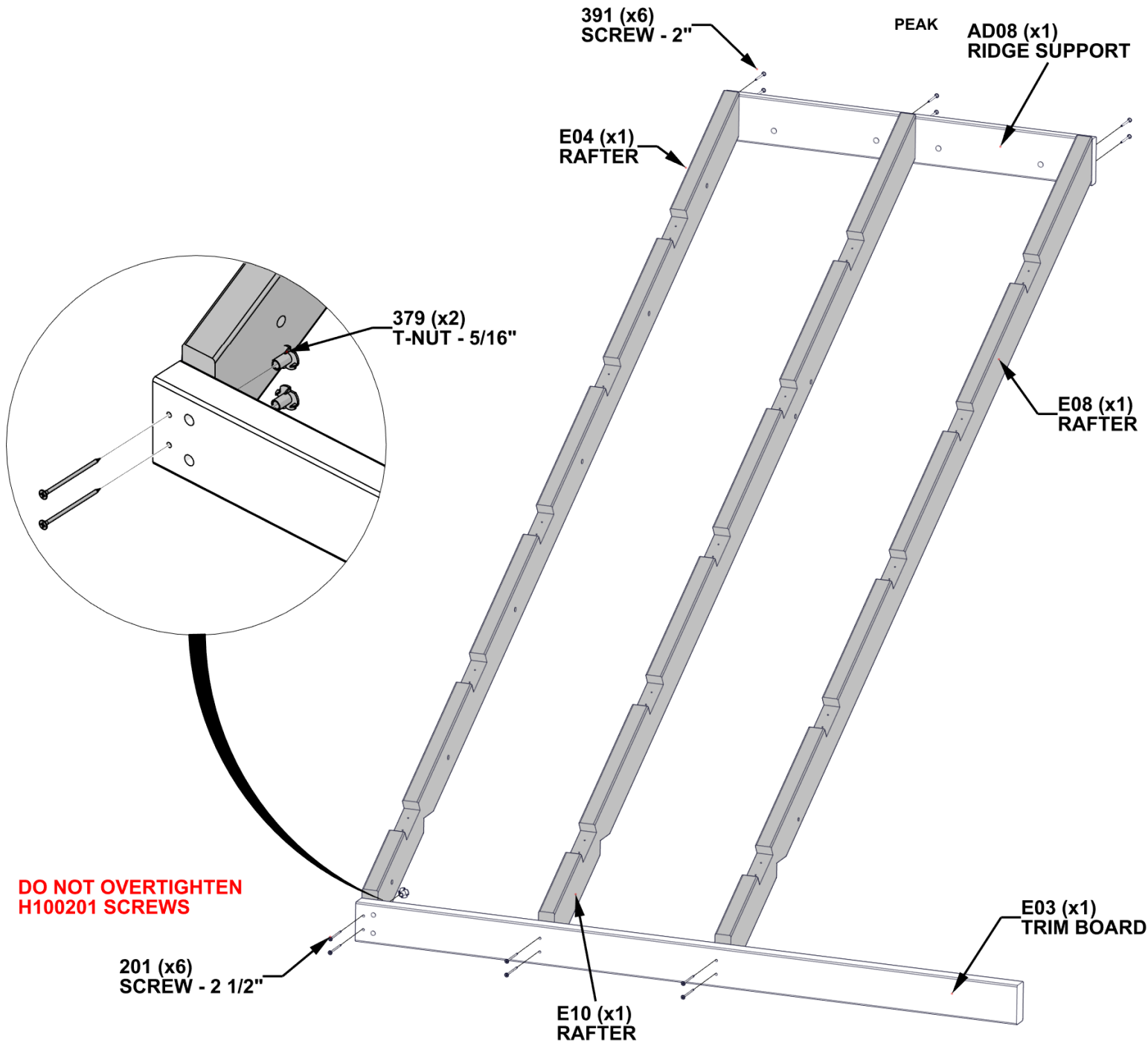


STEP 32C - ROOF PANEL 'B' ASSEMBLY



QTY	PART NUMBER	DESCRIPTION
6	H100201	SCREW PFH 8x2 1/2 BLK
2	H100379	T-NUT 5/16 BLK
6	H100391	SCREW PFH 8x2 BLK

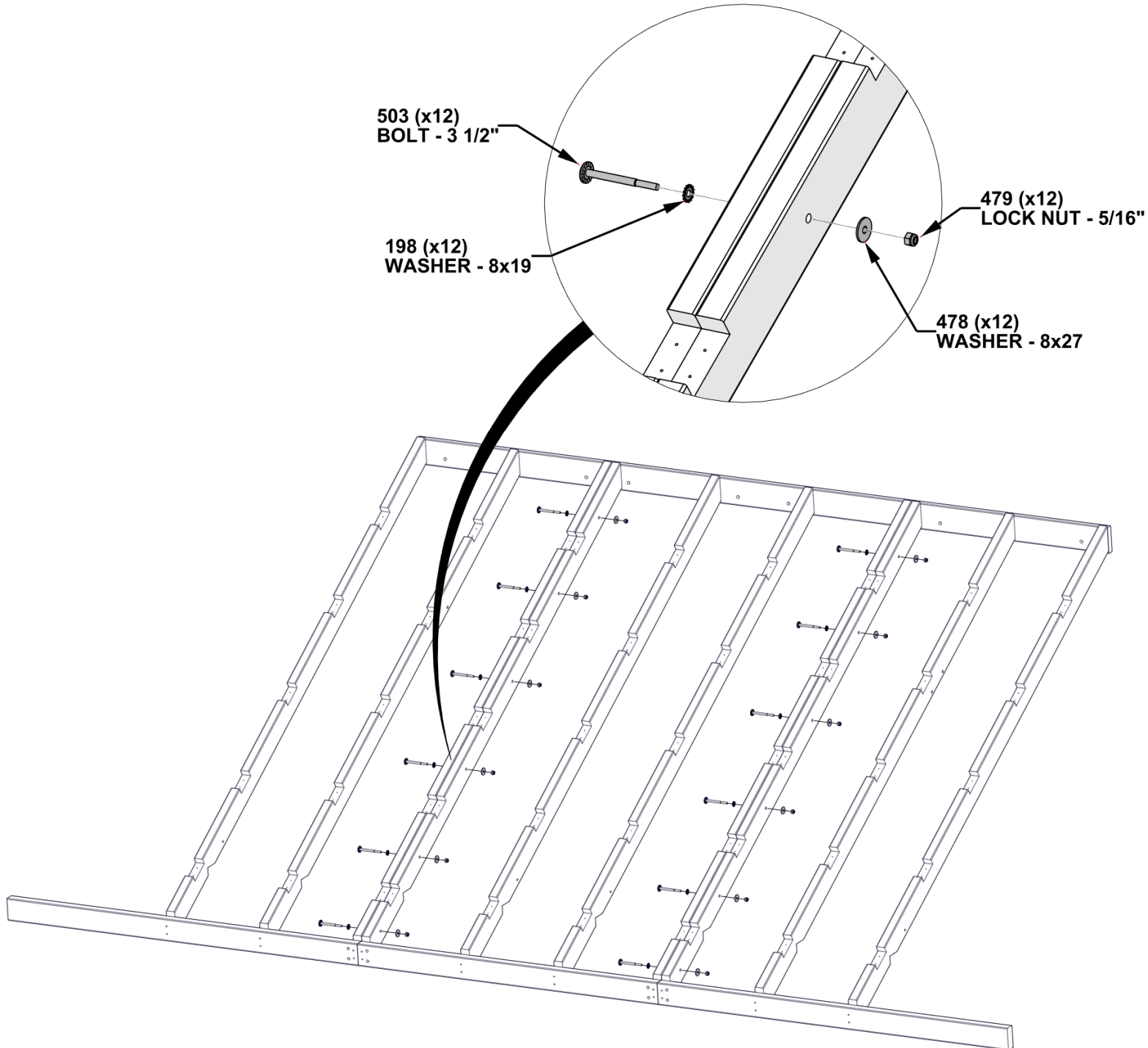
- INSERT T-NUTS FIRST. FAILURE TO DO SO WILL RESULT IN INCORRECT ASSEMBLY.
- NOTE ORIENTATION OF E03 BOARD AND HOLES IN AD08 BOARD ARE TOWARD THE BOTTOM.
- ALIGN AD08 AND E03 WITH PILOT HOLES IN RAFTER BOARDS.
- TO HELP WITH ORGANIZATION, WE SUGGEST WRITING 'S1B' ON THE SCREW SIDE OF AD08 RIDGE SUPPORT TO KEEP TRACK OF SECTION 1, PANEL B.



STEP 32D - ROOF PANEL 'B' ASSEMBLY

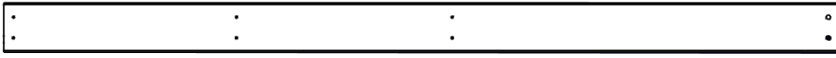
QTY	PART NUMBER	DESCRIPTION
12	H100198	WASHER LOCK EXT 8x19
12	H100478	WASHER FLAT 8x27 BLK
12	H100479	NUT LOCK 5/16 BLK
12	H100503	BOLT WH 5/16x3 1/2 BLK

- ALIGN HOLES IN MIDDLE RAFTERS AND FASTEN HARDWARE AS SHOWN

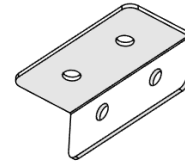


STEP 32E - ROOF PANEL 'B' ASSEMBLY

QTY	PART NUMBER	DESCRIPTION
20	H100171	BOLT WH 1/4x1 BLK
20	H100398	TNUT-1/4" BLK

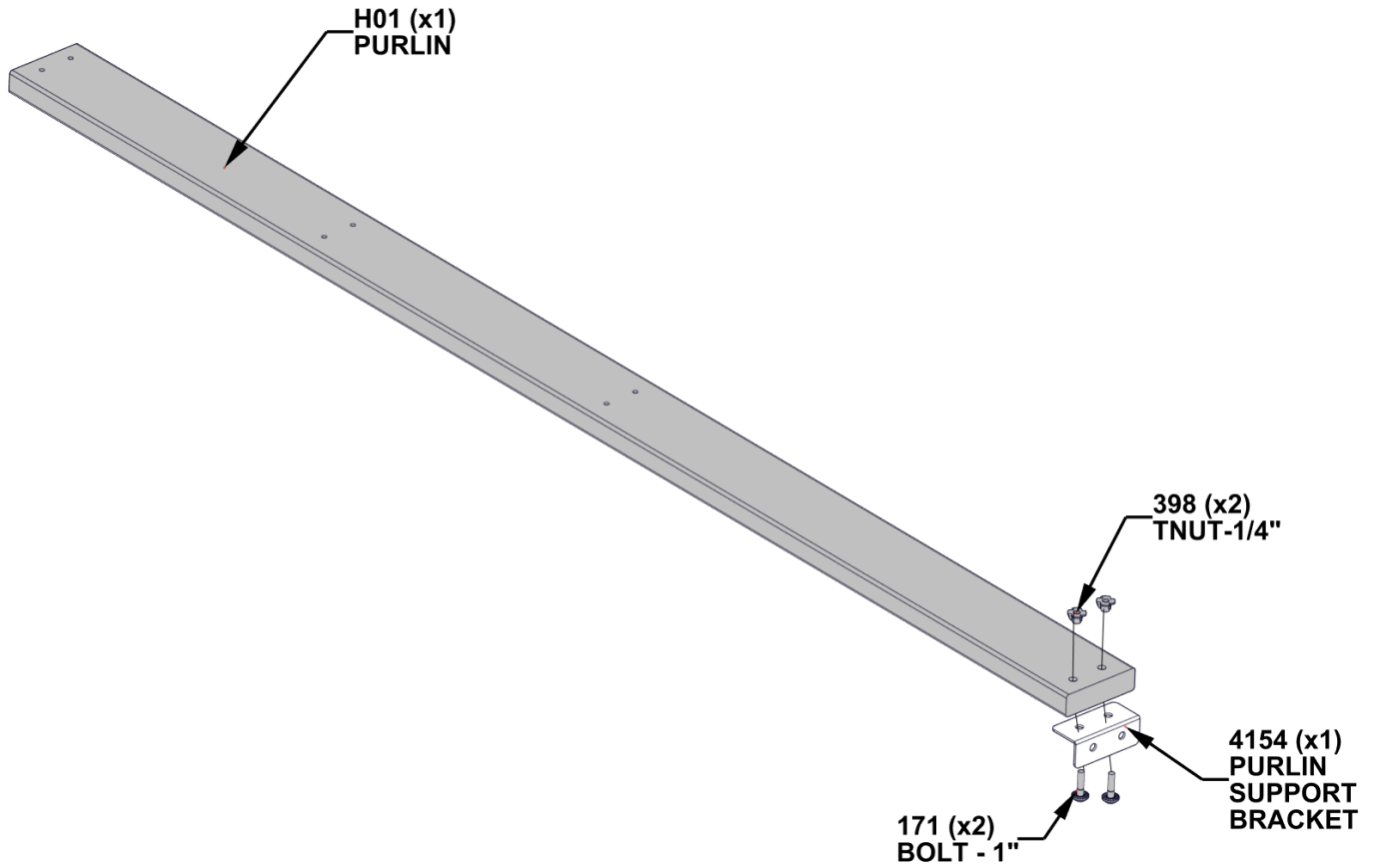


H01 PURLIN - W4L21550
(x10) 15/16"x3 3/8"x58 1/2" (24x86x1486)



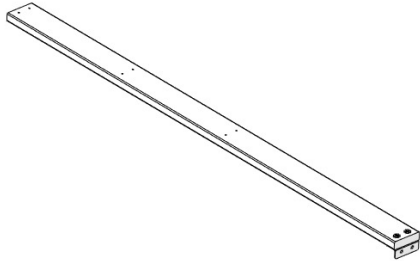
A4M04154 PURLIN SUPPORT BRACKET
(x10)

- NOTE ORIENTATION OF BRACKET, LONG PART OF BRACKET ATTACHES TO PURLIN BOARD.
- COMPLETE THIS STEP 10 TIMES.

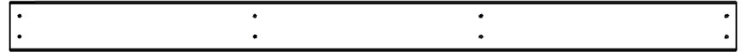


STEP 32F - ROOF PANEL 'B' ASSEMBLY

QTY	PART NUMBER	DESCRIPTION
100	H100391	SCREW PFH 8x2 BLK

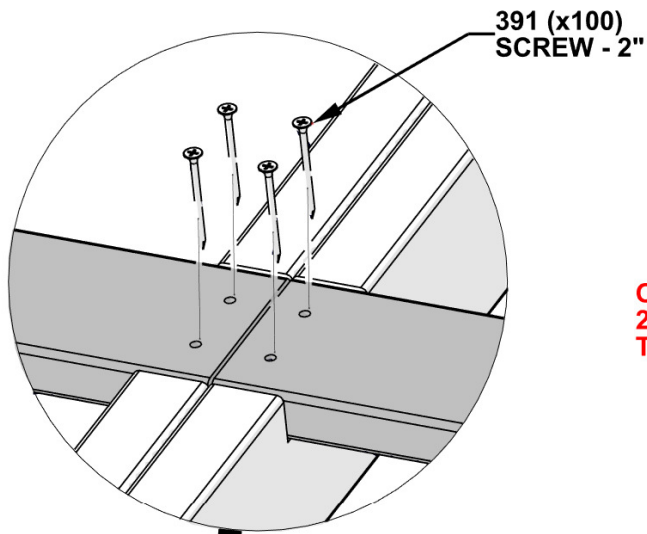


H01 PURLIN ASSEMBLY - STEP 32D
(x10)

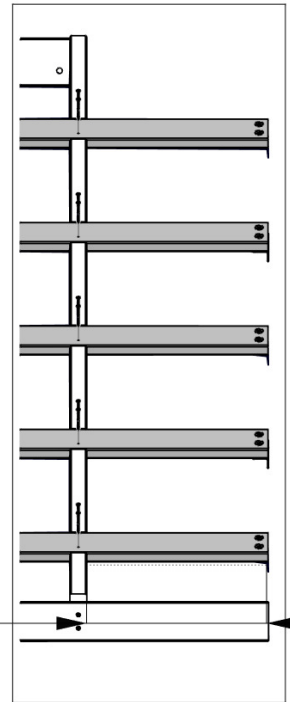


H02 PURLIN - W4L21803
(x5) 15/16"x3 3/8"x50 1/16" (24x86x1272)

- ALIGN PURLINS WITH PILOT HOLES IN RAFTERS.



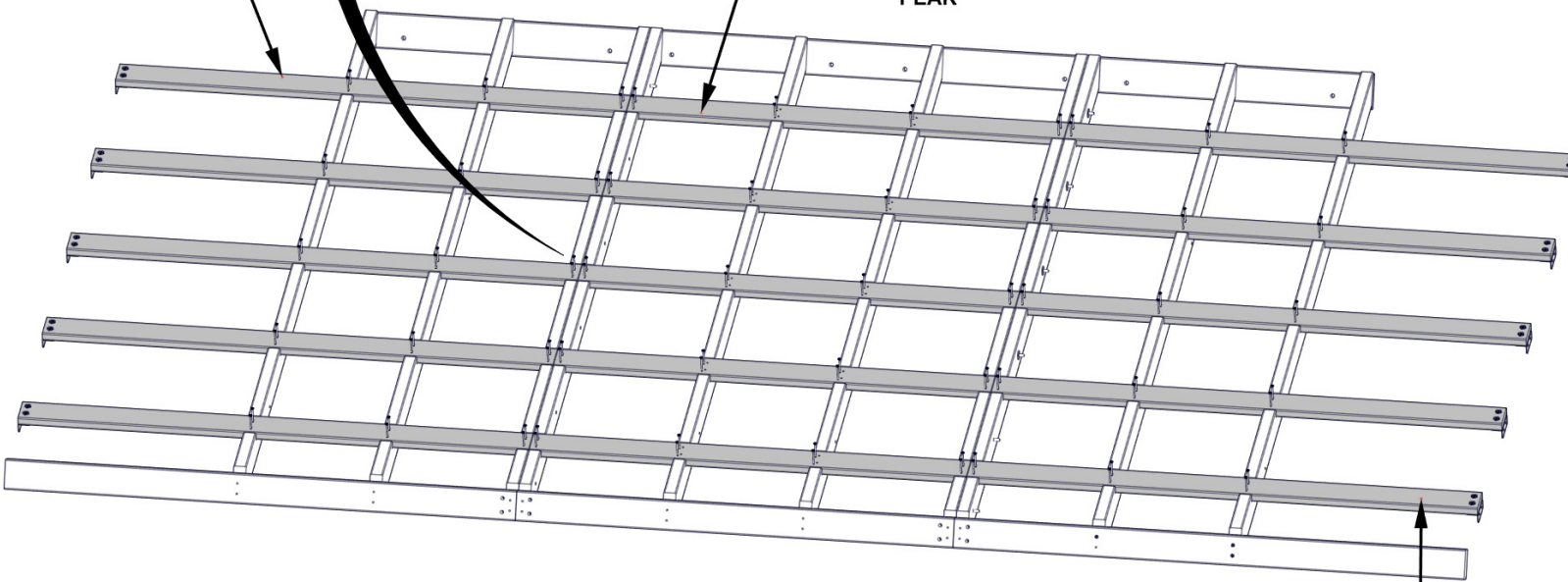
OVERHANG DISTANCE FOR PURLINS IS 25-7/8" [657mm] FROM END OF PURLIN TO RAFTER BOARD ON BOTH ENDS.



H01 (x5)
PURLIN
ASSEMBLY

H02 (x5)
PURLIN

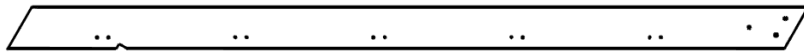
PEAK



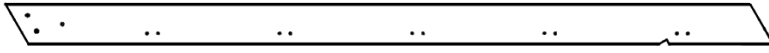
H01 (x5)
PURLIN
ASSEMBLY

STEP 32G - ROOF PANEL 'B' ASSEMBLY

QTY	PART NUMBER	DESCRIPTION
6	H100379	T-NUT 5/16 BLK
20	H100460	LAG SCREW WH 1/4x1 BLK



D01 FASCIA - W4L21164
(x1) 1 7/16"x5 1/4"x100" (36x134x2540)

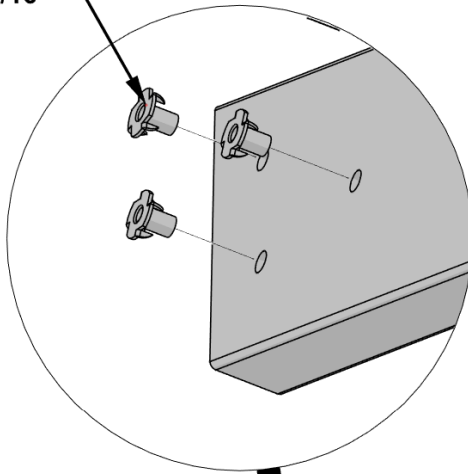


D02 FASCIA - W4L21175
(x1) 1 7/16"x5 1/4"x100" (36x134x2540)

- INSERT T-NUTS FIRST.

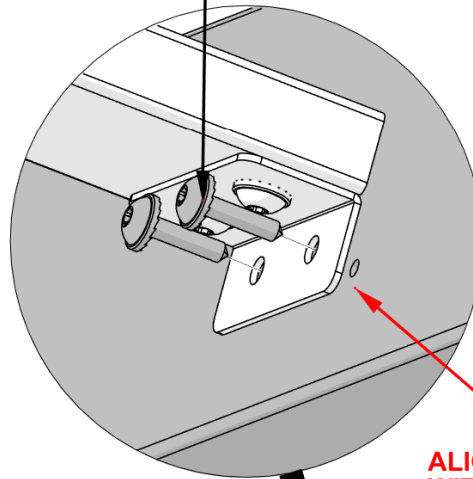
- ALIGN D01 AND D02 PILOT HOLES WITH HOLES IN 4154 BRACKETS ATTACHED IN PREVIOUS STEP.

379 (x6)
T-NUT - 5/16"



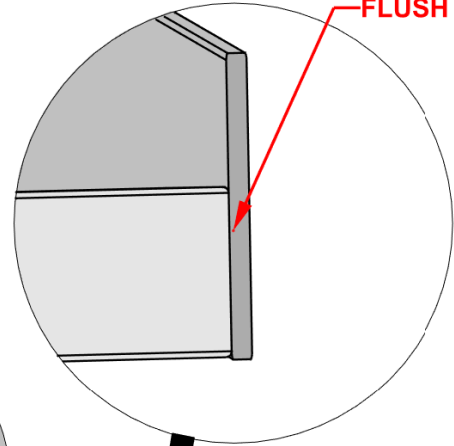
**NOTE ORIENTATION
OF NOTCH IN BOTH
D01 AND D02 BOARDS**

460 (x20)
LAG SCREW - 1"

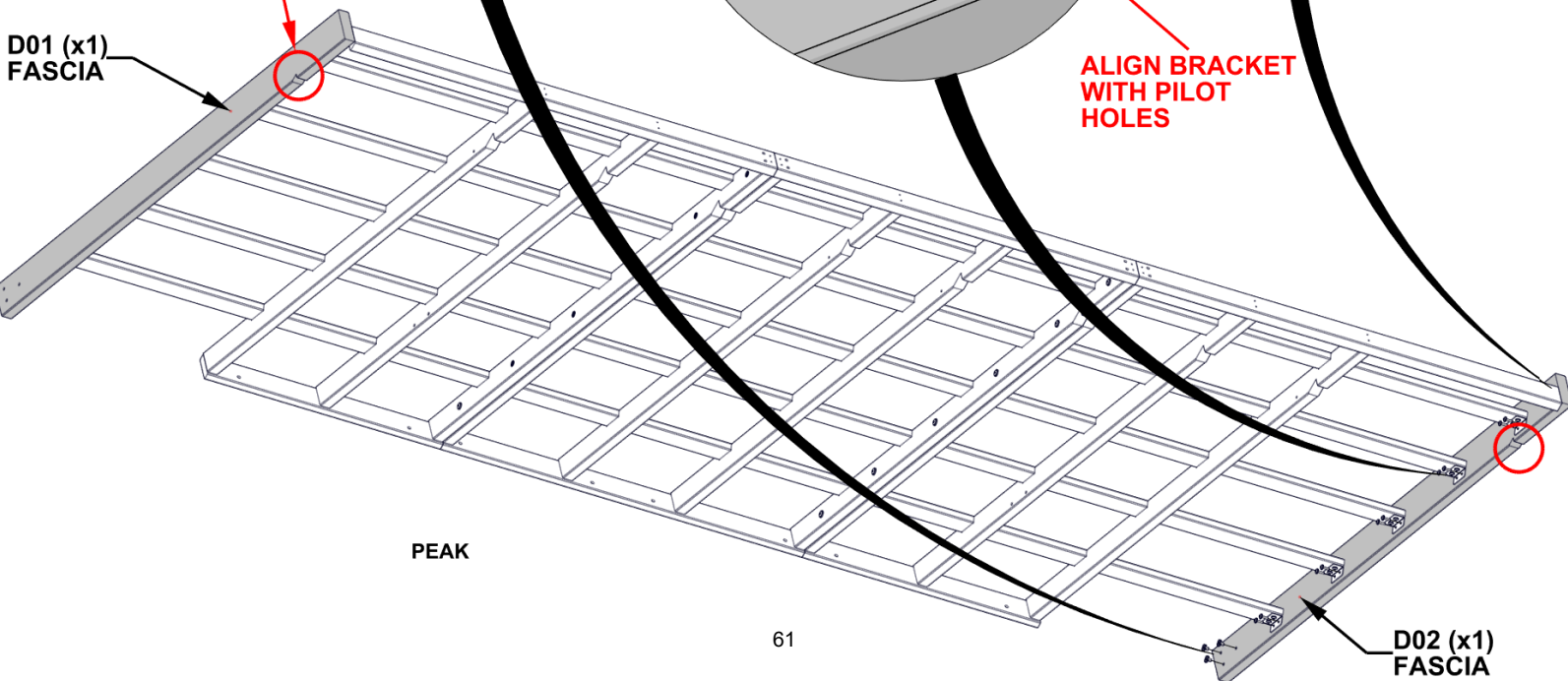


**ALIGN BRACKET
WITH PILOT
HOLES**

FLUSH



D01 (x1)
FASCIA

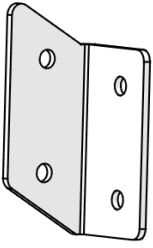


PEAK

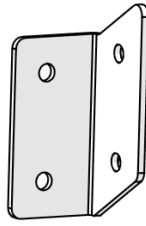
D02 (x1)
FASCIA

STEP 32H - ROOF PANEL 'B' ASSEMBLY

QTY	PART NUMBER	DESCRIPTION
8	H100797	SCREW PWH 8x1 BLK



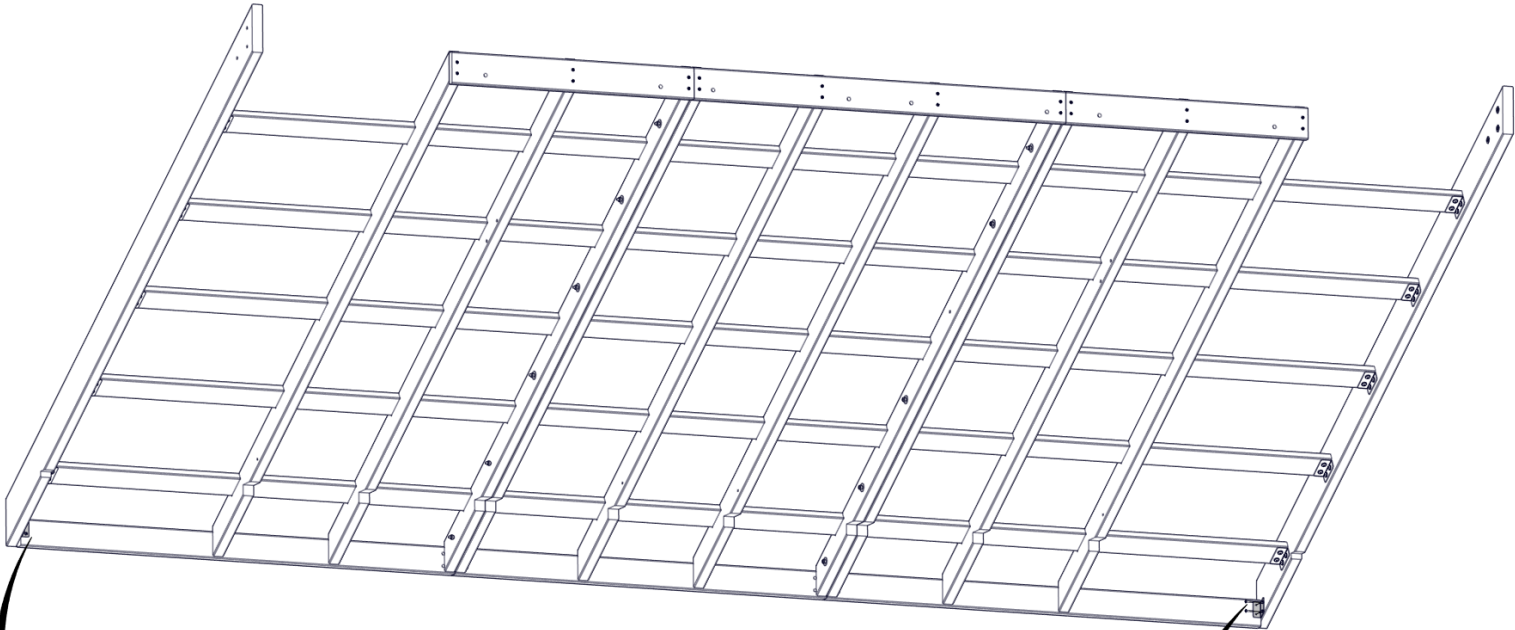
A4M04907 FASCIA BRACKET
(x1)



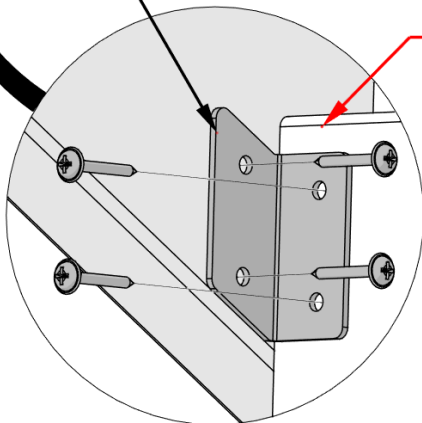
A4M04908 FASCIA BRACKET
(x1)

- ALIGN BRACKET 1/4" [6mm] FROM TOP OF TRIM BOARD AS SHOWN.
- ATTACH FASCIA BRACKET 4907 AND 4908 BY DRILLING A 1/8" [3mm] PILOT HOLE AND FASTENING WITH 797 SCREWS.

PEAK



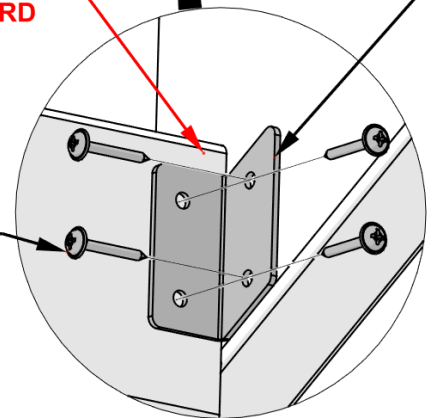
4907 (x1)
FASCIA BRACKET



ALIGN BRACKET
1/4" [6mm] FROM
TOP OF BOARD

ALIGN BRACKET
1/4" [6mm] FROM
TOP OF BOARD

4908 (x1)
FASCIA BRACKET

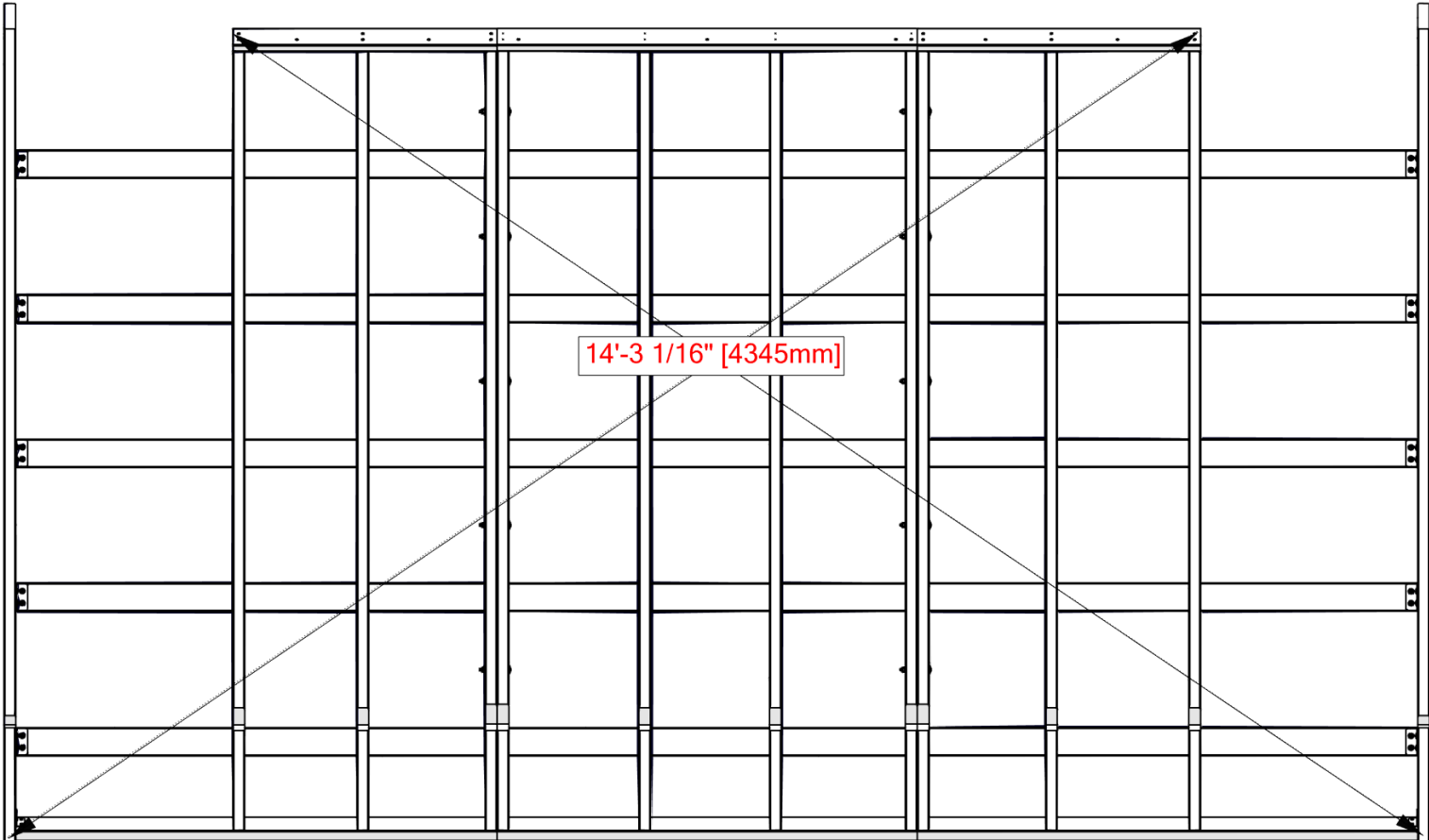


797 (x8)
SCREW - 1"

STEP 32I - ROOF PANEL 'B' ASSEMBLY

CRITICAL:

- SQUARE UNIT BEFORE PROCEEDING TO NEXT STEPS.
- THE BELOW DIMENSIONS ARE CRITICAL TO THE FINAL ROOF ASSEMBLY.
- MEASUREMENTS BELOW SHOULD BE HELD WITH IN +/- 1/4" [6mm].
- MEASUREMENTS OUTSIDE OF TOLERANCE WILL LEAD TO THE INABILITY TO ASSEMBLE THE ROOF.

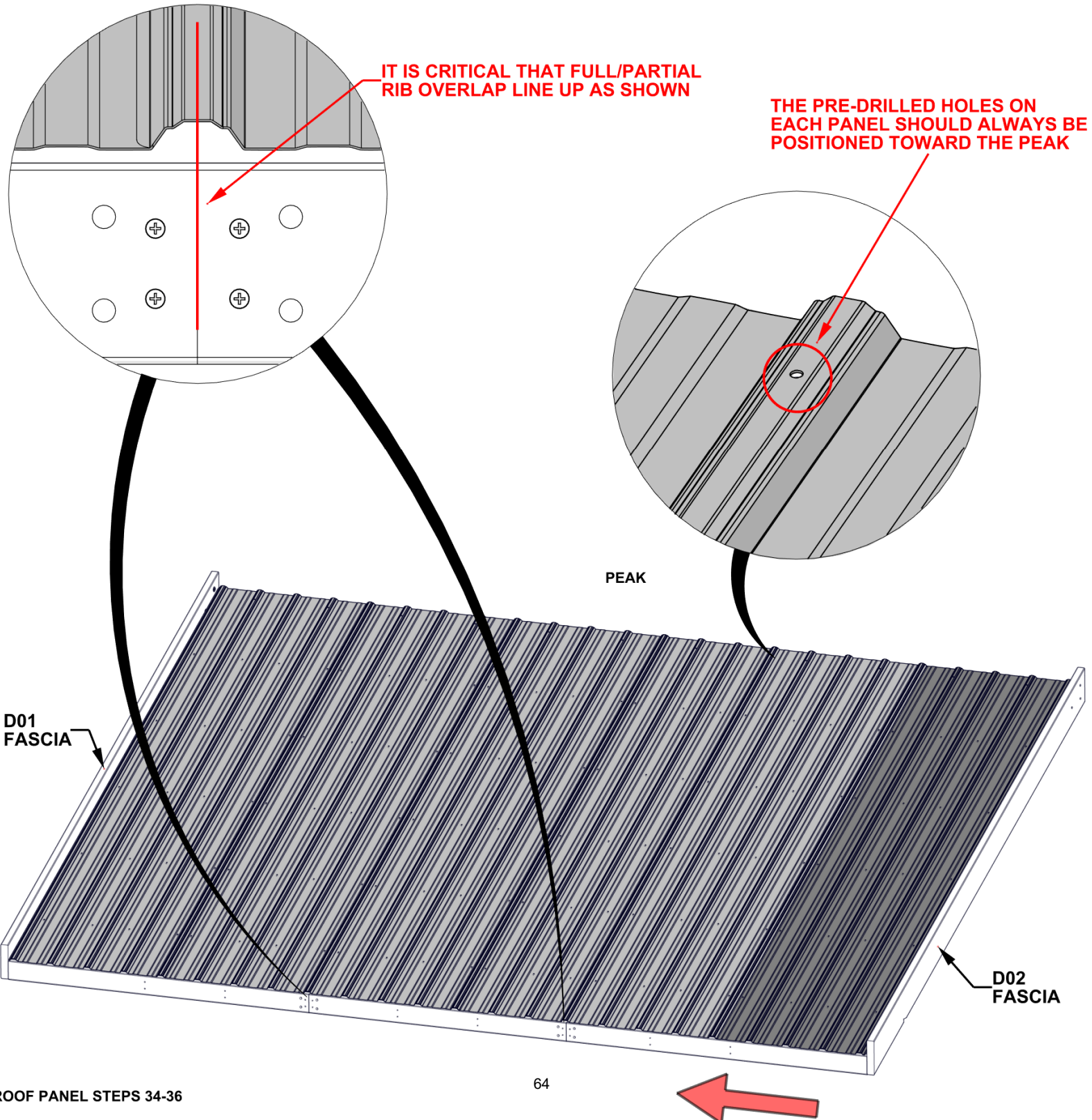


TIP : LOOSEN HARDWARE TO ADJUST FOR SQUARING IF NEEDED

STEP 33 - ROOF PANEL 'B' ASSEMBLY

- USE THIS PAGE TO FAMILIARIZE YOUR SELF WITH ROOF PANEL AND ASSIST YOU IN STEPS 34-36.
- REMOVE PROTECTIVE BLUE FILM.
- START AT THE END INDICATED AND ASSEMBLE IN THE DIRECTION OF THE ARROW

- **GLOVES SHOULD BE WORN WHEN HANDLING ROOF PANELS: EDGES ARE SHARP.**
- **START BY PLACING FIRST SHEET 1/8" [3mm] FROM D01 FASCIA BOARD, THE LAST SHEET SHOULD ALIGN CLOSE TO THE EDGE OF THE D02 FASCIA BOARD.**

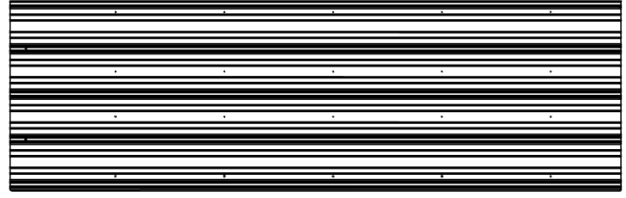


STEP 34 - ROOF PANEL 'B' ASSEMBLY

QTY	PART NUMBER	DESCRIPTION
40	H101117	SCREW WOODGRIP 10-16x3/4" BLK

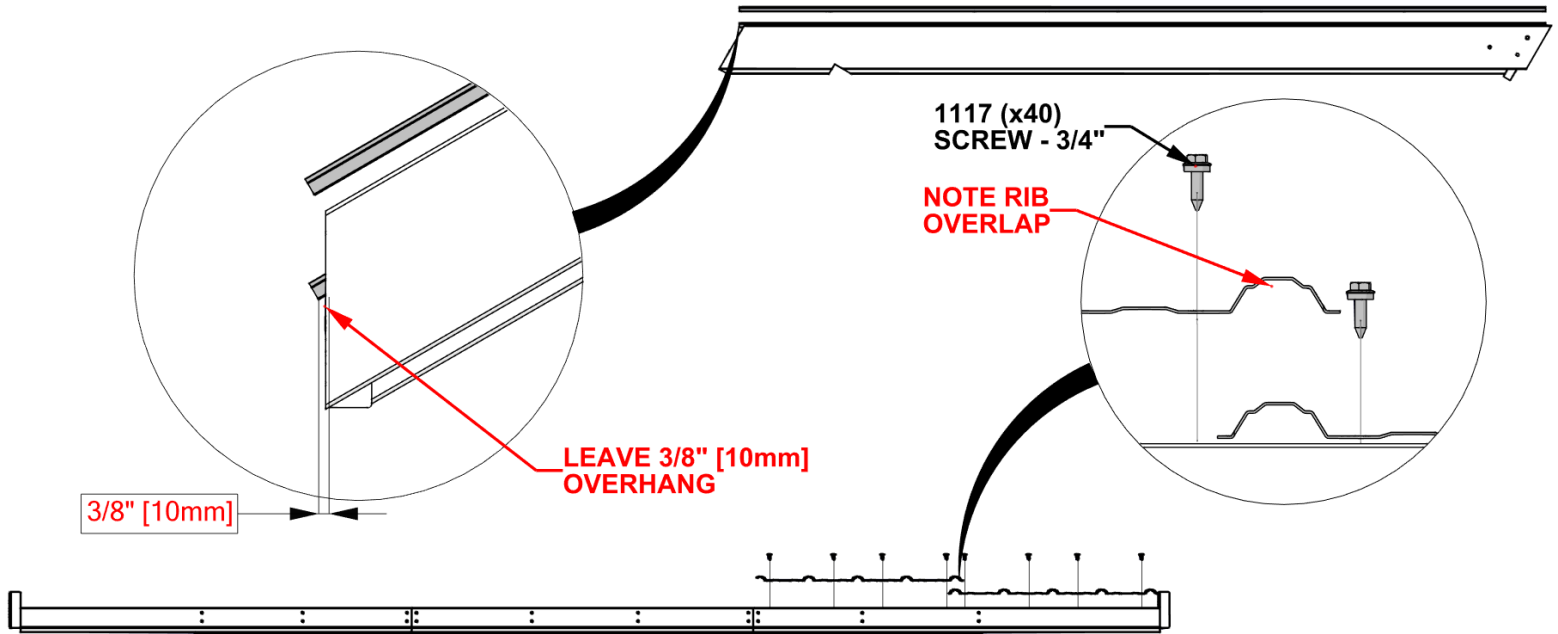


A4M04160 29GA STEEL SHEETING
(x1)

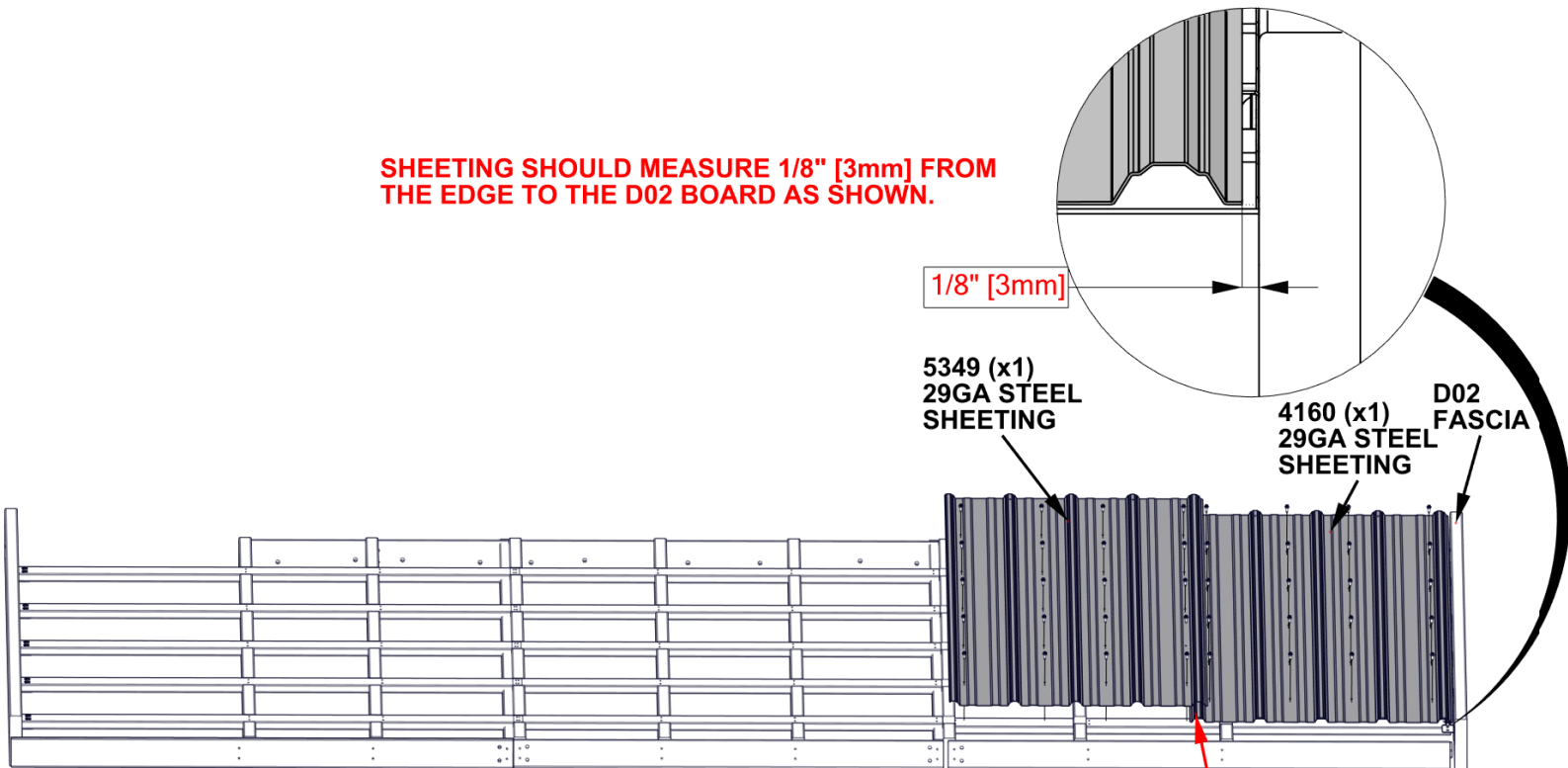


A4M05349 29GA STEEL SHEETING
(x1)

- MAKE SURE ROOF PANEL IS SQUARE BEFORE MOVING ON



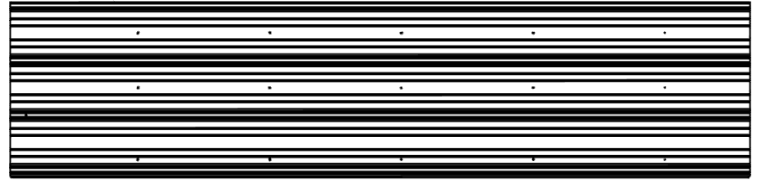
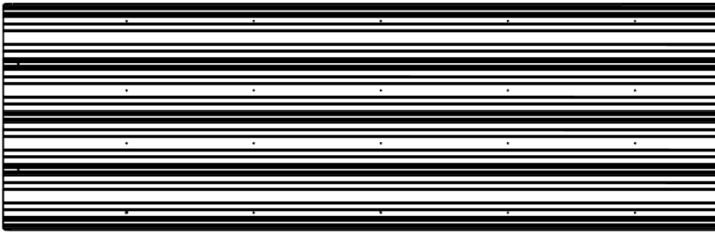
SHEETING SHOULD MEASURE 1/8" [3mm] FROM THE EDGE TO THE D02 BOARD AS SHOWN.



FLUSH ENDS OF SHEETING

STEP 35 - ROOF PANEL 'B' ASSEMBLY

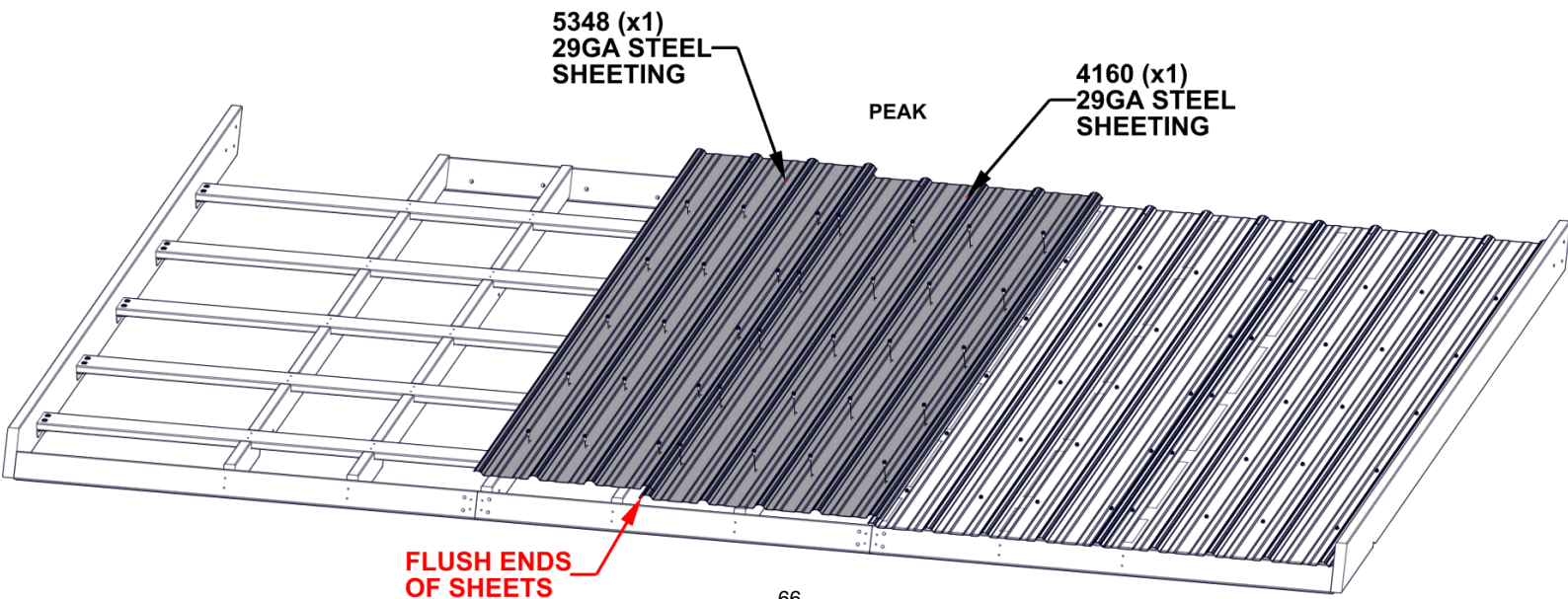
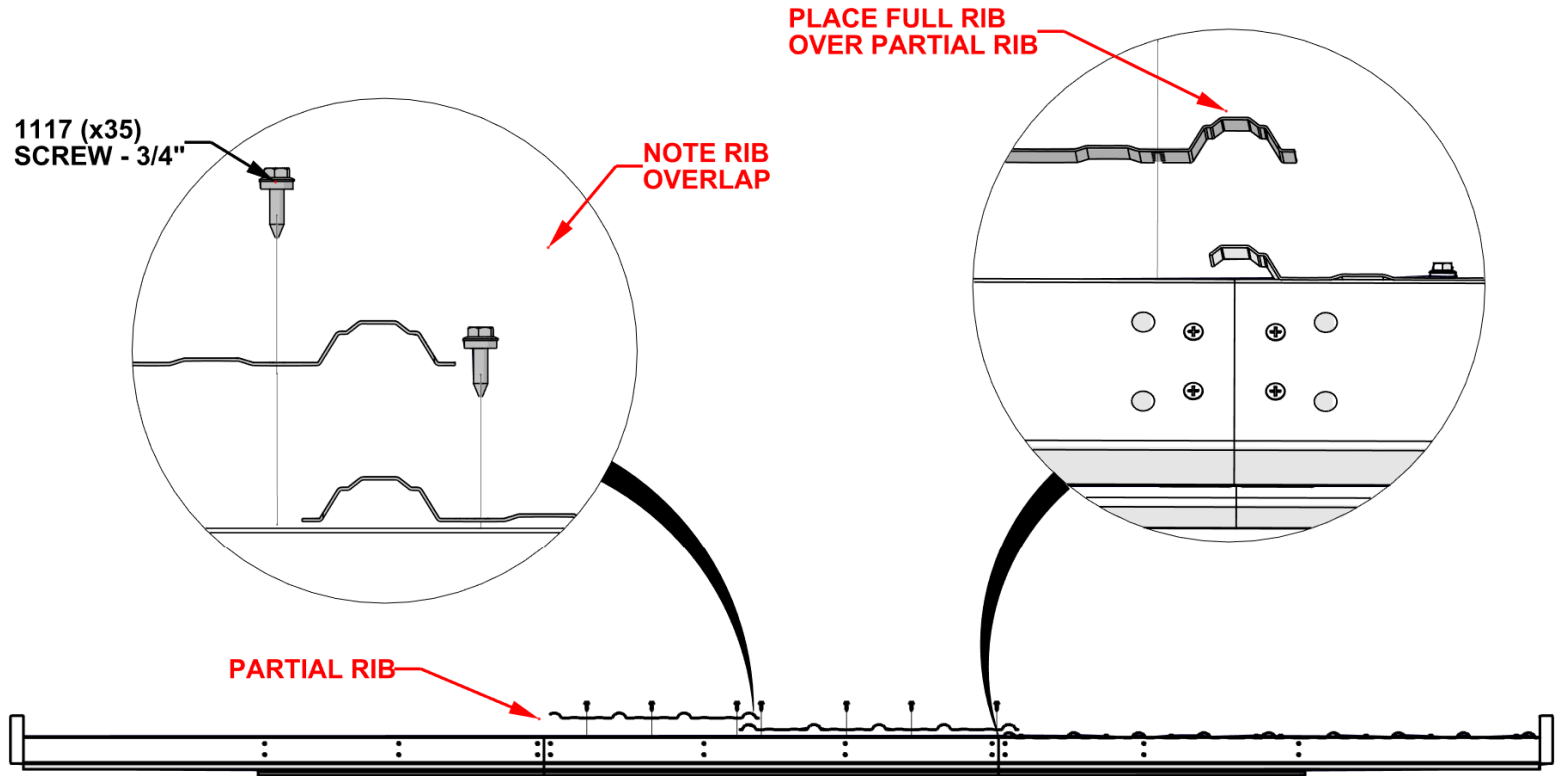
QTY	PART NUMBER	DESCRIPTION
35	H101117	SCREW WOODGRIP 10-16x3/4" BLK



A4M04160 29GA STEEL SHEETING (x1)

A4M05348 29GA STEEL SHEETING (x1)

- PANEL A4M05348 WILL HAVE A PARTIAL RIB AS INDICATED BELOW.

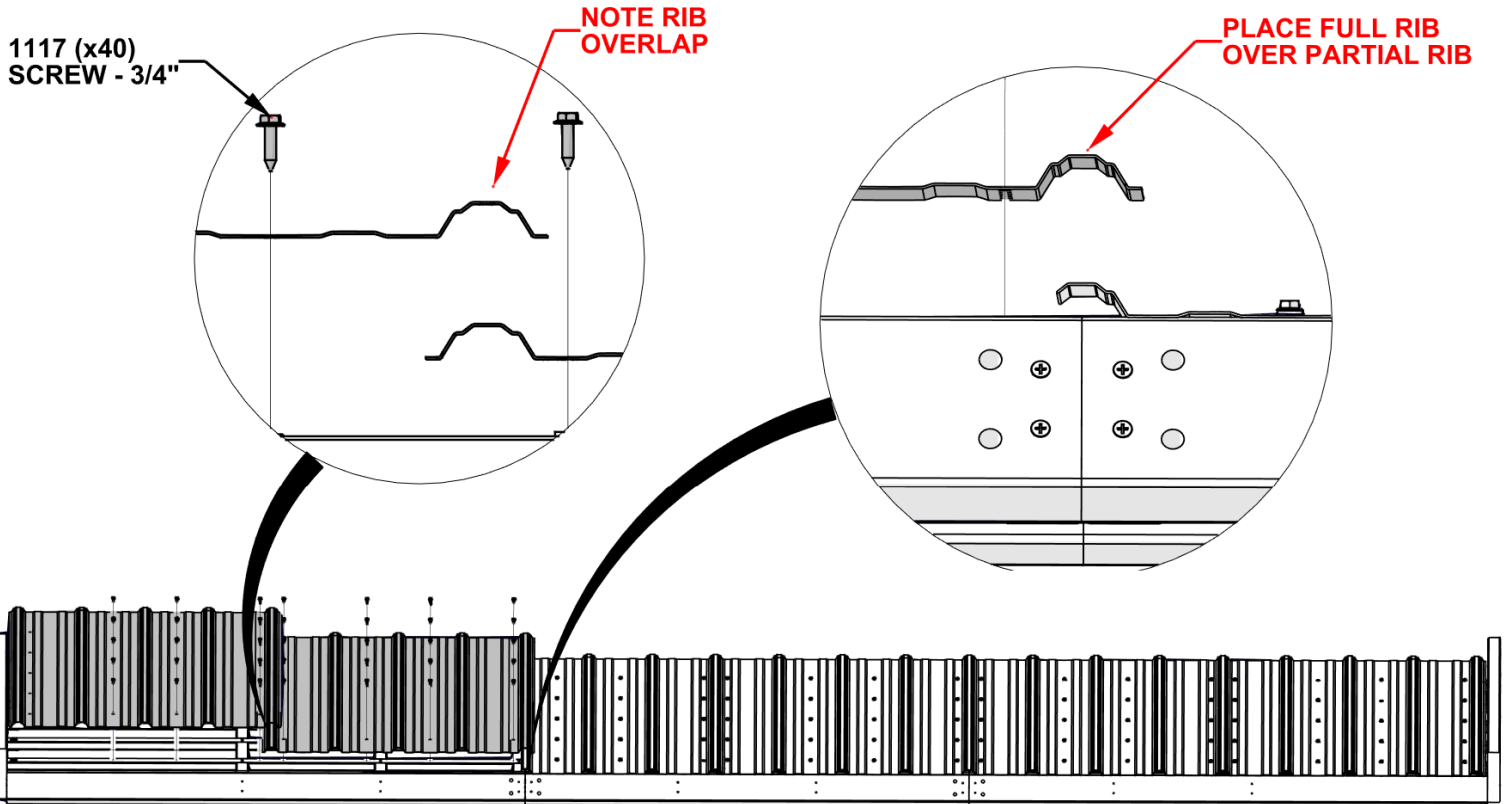


STEP 36 - ROOF PANEL 'B' ASSEMBLY

QTY	PART NUMBER	DESCRIPTION
40	H101117	SCREW WOODGRIP 10-16x3/4" BLK

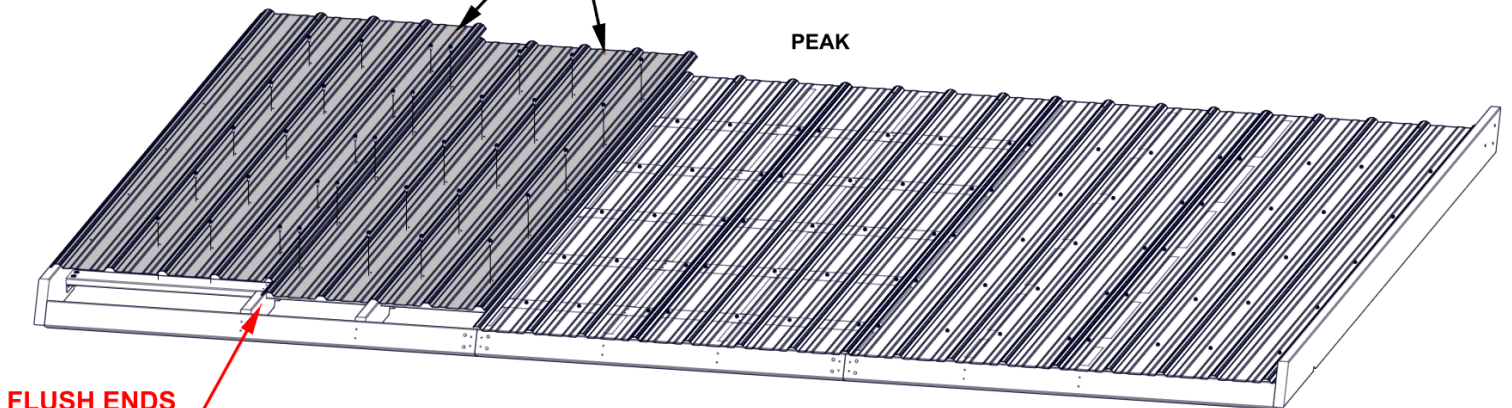


A4M04160 29GA STEEL SHEETING
(x2)



4160 (x2)
29GA STEEL SHEETING

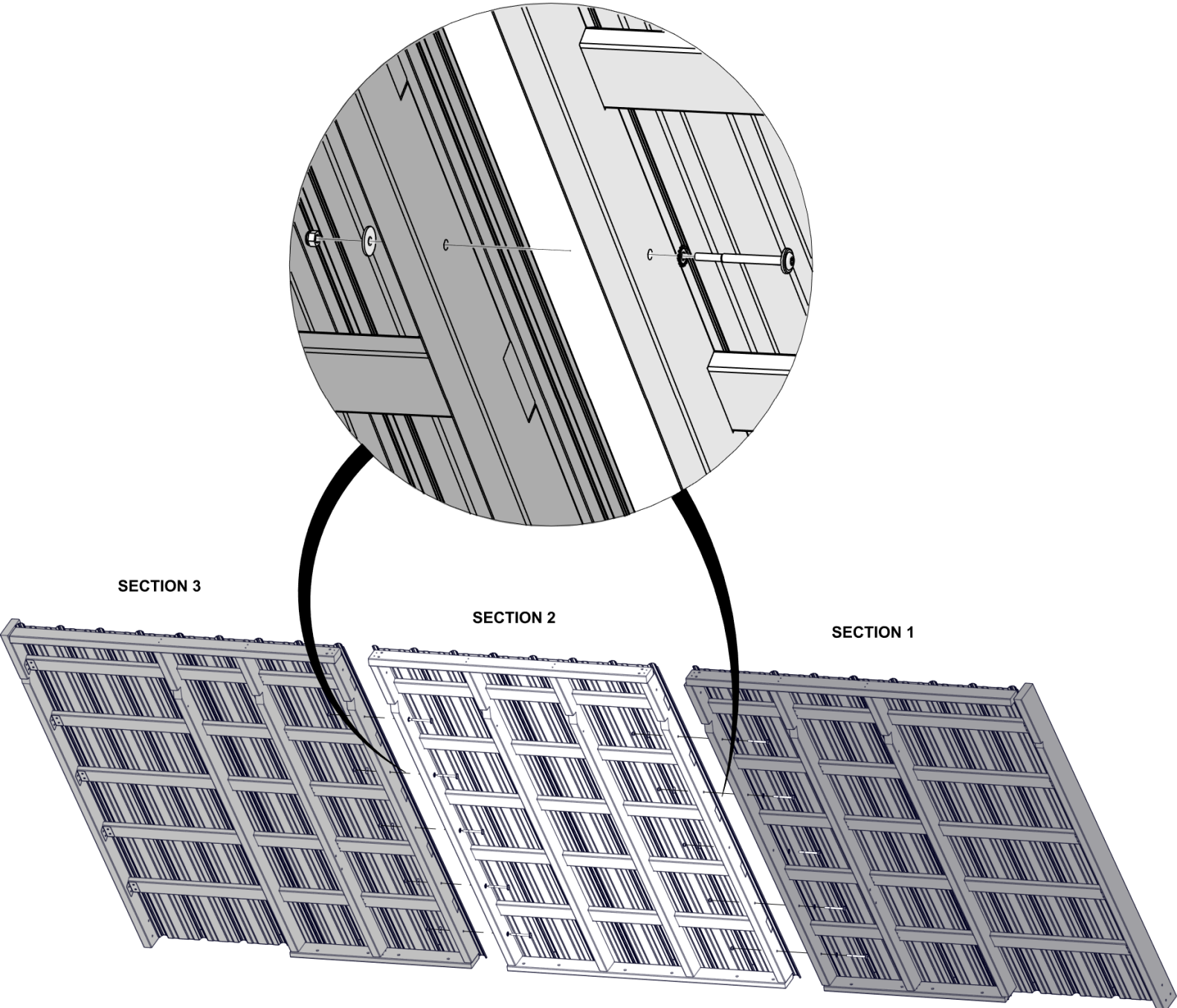
PEAK



FLUSH ENDS
OF SHEETS

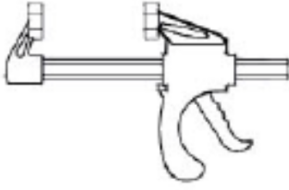
STEP 37 - ROOF PANEL 'B' ASSEMBLY

- SEPERATE ROOF PANEL FOR EASE OF ASSEMBLY
- REMOVE HARDWARE AND SET ASIDE. IT WILL BE USED AGAIN AFTER BOTH SECTIONS ARE INSTALLED.



STEP 38 - ROOF ASSEMBLY

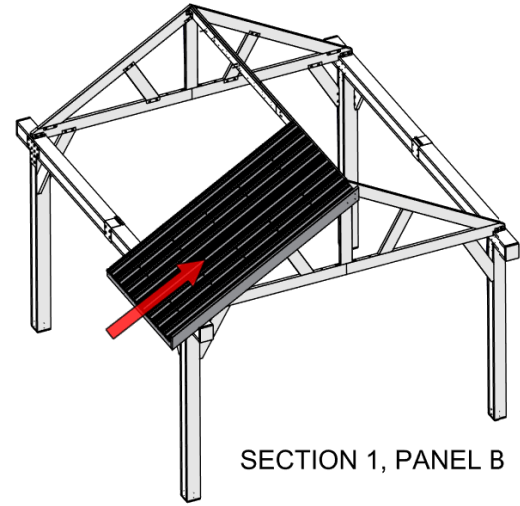
QTY	PART NUMBER	DESCRIPTION
2	H100195	BOLT WH 5/16x2 3/4 BLK
2	H100198	WASHER LOCK EXT 8x19



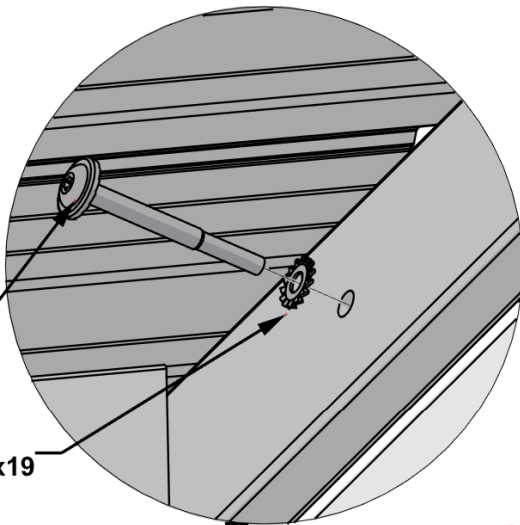
A6P00460 6" QUICK RELEASE CLAMP

- HAND TIGHTEN HARDWARE.

- ADDITIONAL PEOPLE ARE HELPFUL FOR THIS STEP.
- SLIDE ROOF PANEL ALONG GABLE BEAM.
- USE A6P00460 QUICK RELEASE CLAMPS IF NEEDED.



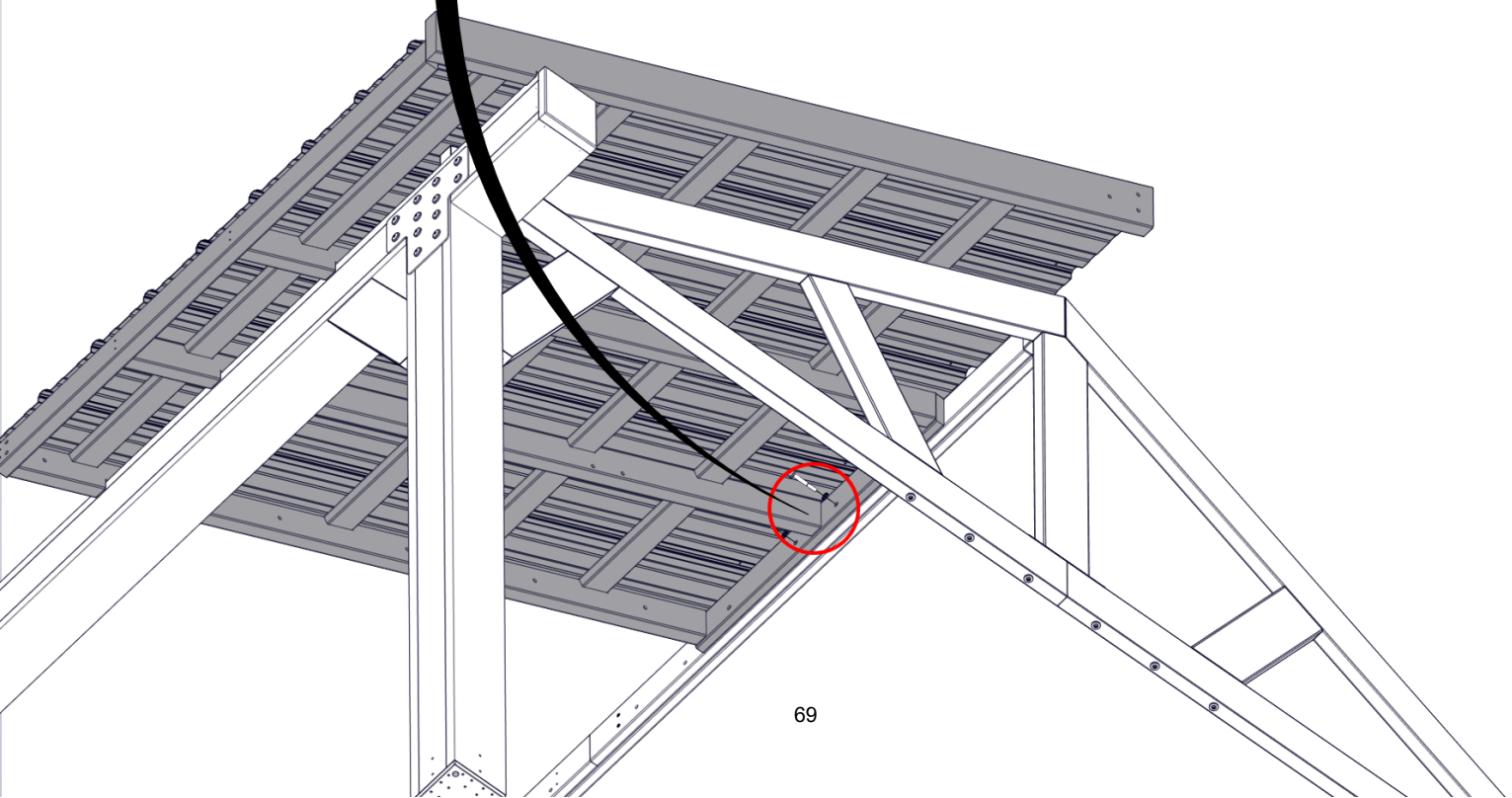
SECTION 1, PANEL B



195 (x2)
BOLT-2 3/4"

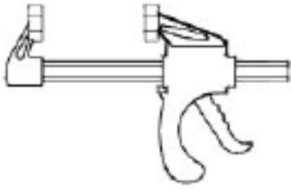
198 (x2)
WASHER - 8x19

ATTACH HARDWARE INTO T-NUTS INSTALLED IN EARLIER STEP.



STEP 39 - ROOF ASSEMBLY

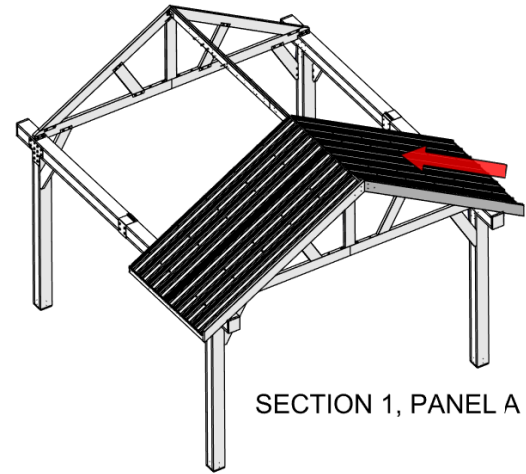
QTY	PART NUMBER	DESCRIPTION
2	H100198	WASHER LOCK EXT 8x19
2	H100479	NUT LOCK 5/16 BLK
2	H100534	BOLT WH 5/16x4 1/2 BLK
2	H100630	WASHER FLAT 8x19 BLK



A6P00460 6" QUICK RELEASE CLAMP

- HAND TIGHTEN HARDWARE.

- ADDITIONAL PEOPLE ARE HELPFUL FOR THIS STEP.
- SLIDE ROOF PANEL ALONG GABLE BEAM.
- USE A6P00460 QUICK RELEASE CLAMPS IF NEEDED.

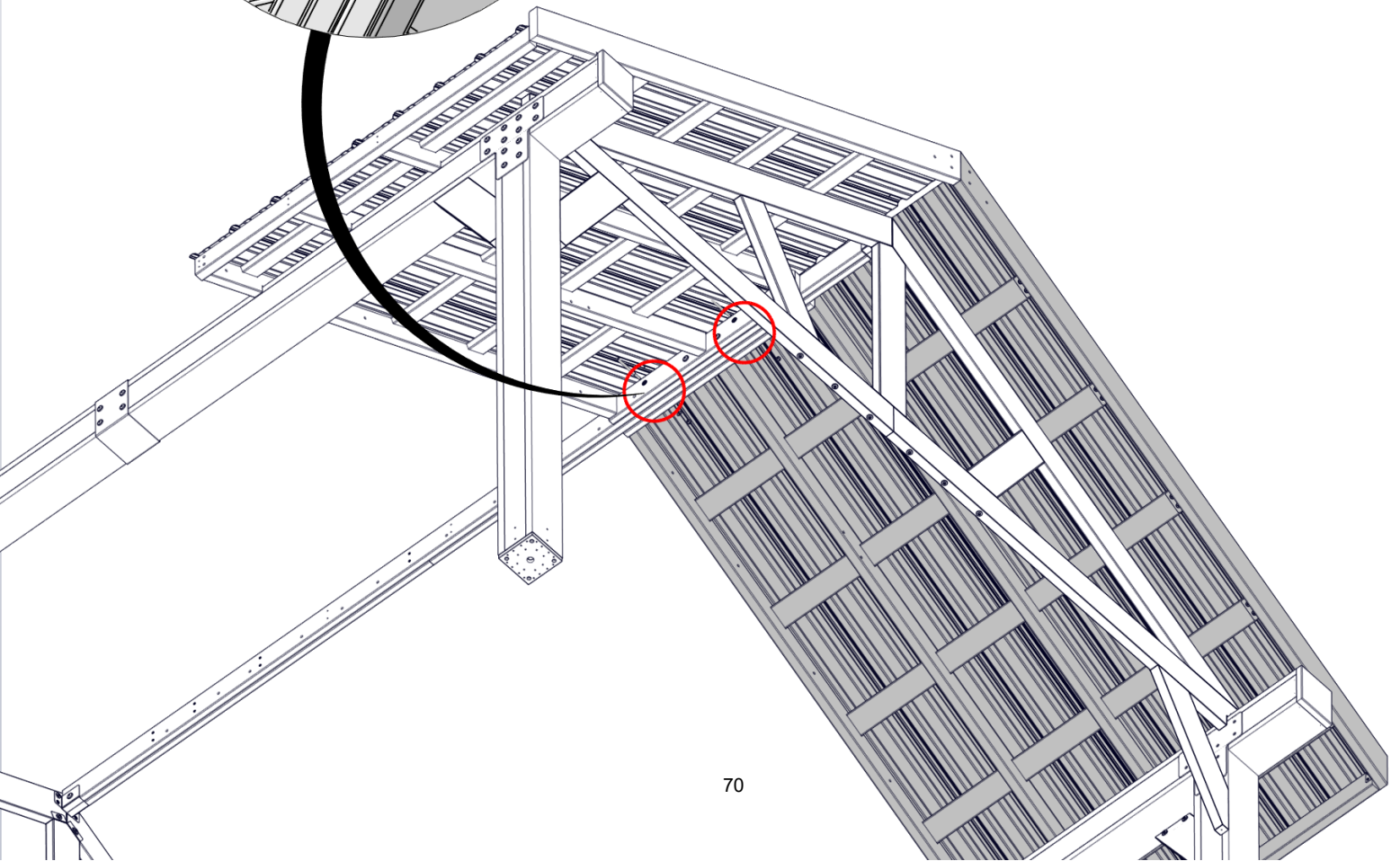


198 (x2)
WASHER - 8x19

630 (x2)
WASHER - 8x19

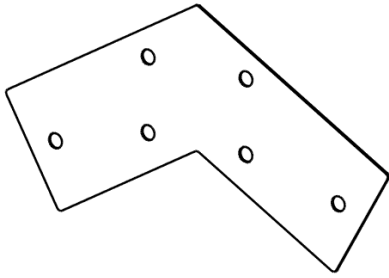
479 (x2)
LOCK NUT - 5/16"

534 (x2)
BOLT - 4 1/2"



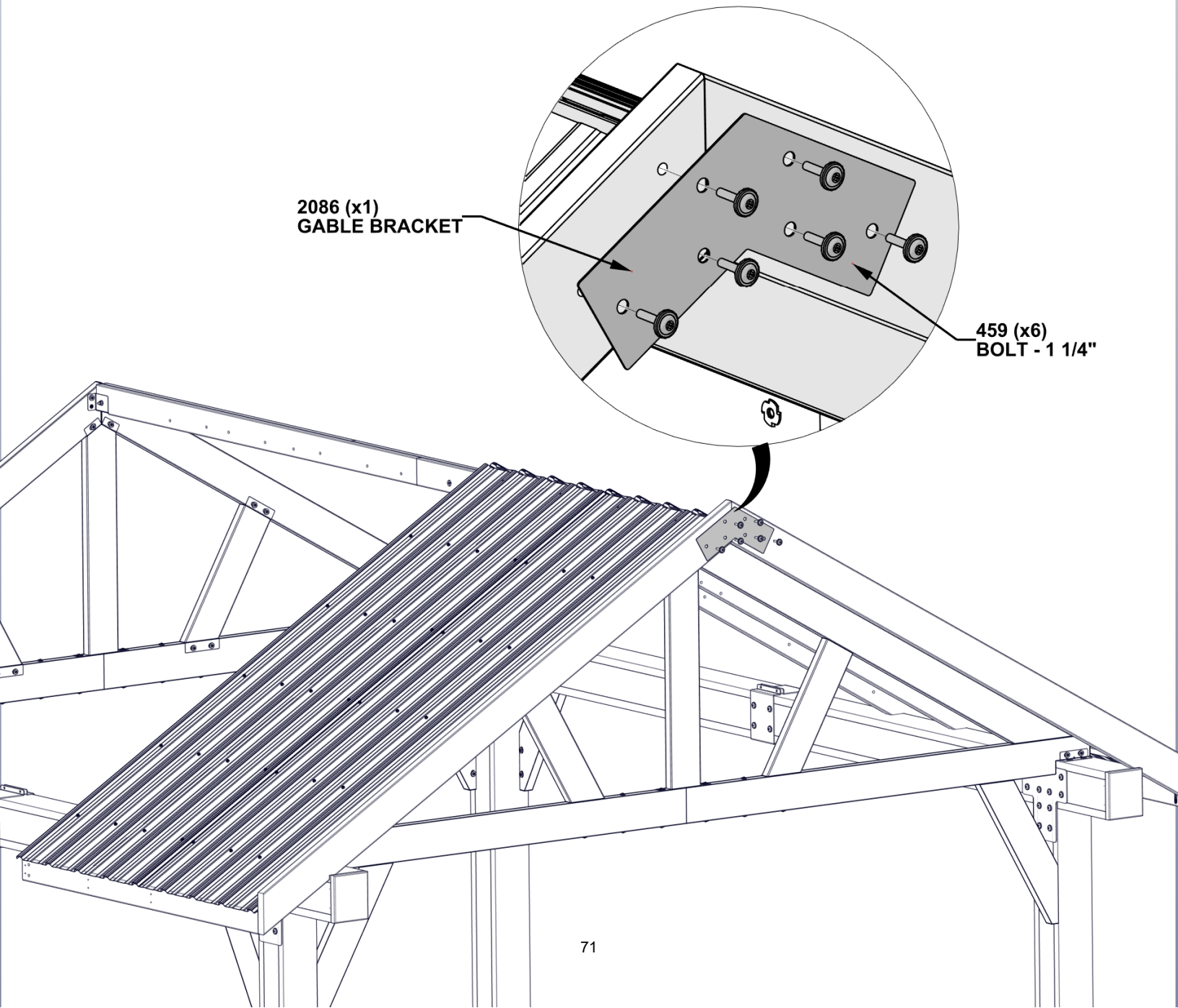
STEP 40 - ROOF ASSEMBLY

QTY	PART NUMBER	DESCRIPTION
6	H100459	BOLT WH 5/16x1 1/4 BLK



A4M02086 GABLE BRACKET
(x1)

- FASTEN HARDWARE INTO T-NUTS INSTALLED IN D01 AND D02 BORDS.
- HAND TIGHTEN HARDWARE.



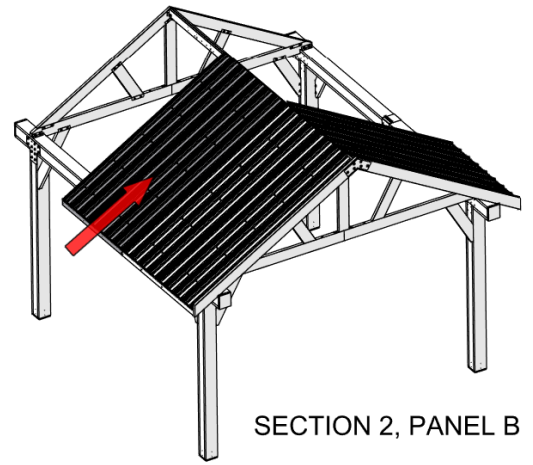
2086 (x1)
GABLE BRACKET

459 (x6)
BOLT - 1 1/4"

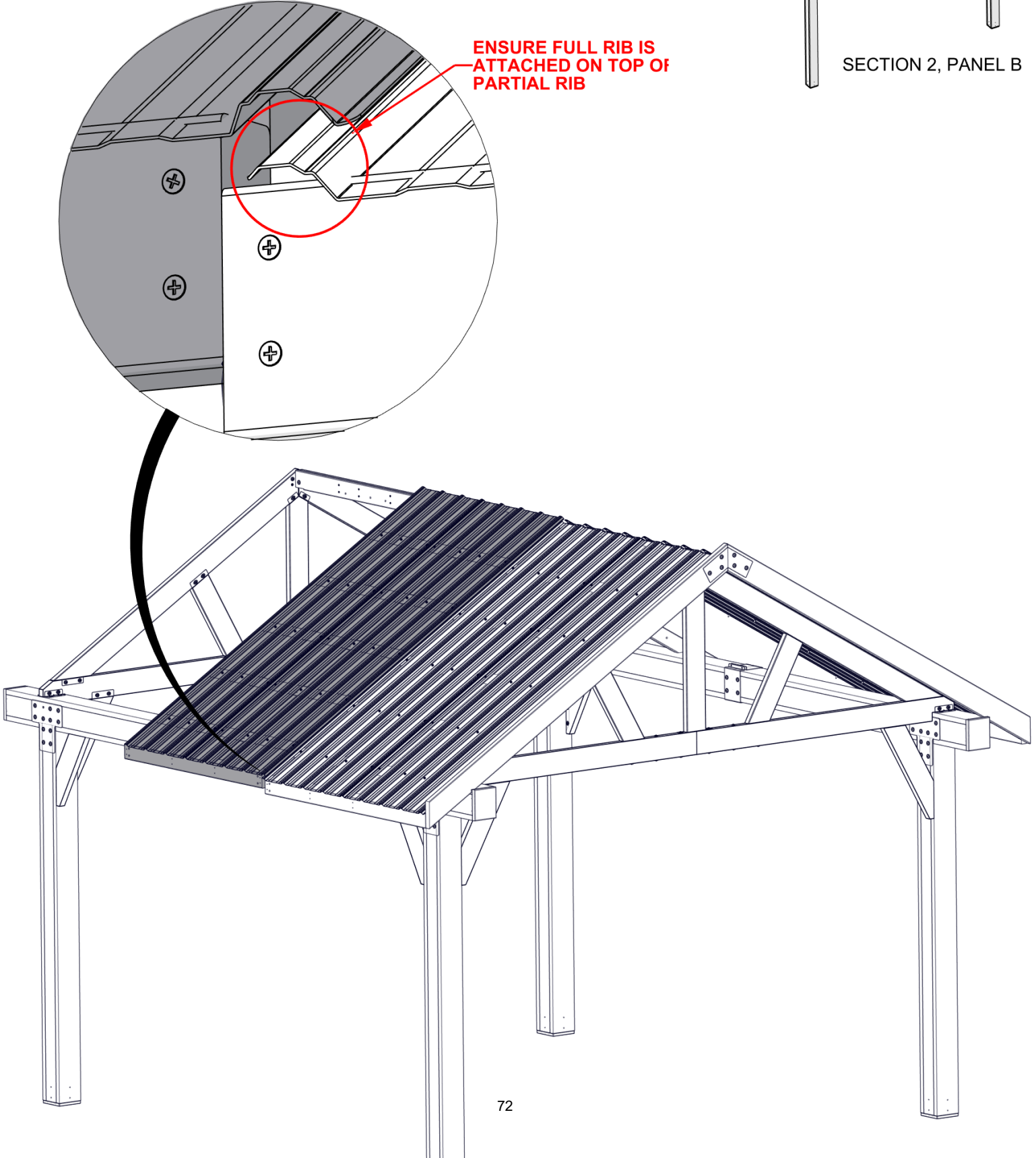
STEP 41 - ROOF ASSEMBLY

CRITICAL:

- IT IS IMPORTANT THAT THE PANELS ARE INSTALLED AS SHOWN.
- PARTIAL RIB MUST BE INSTALLED UNDER FULL RIB.
- FAILURE TO DO SO WILL RESULT IN LEAKING.
- MUST SLIDE PANEL UP FROM BOTTOM WITH RIBS OVERLAPPING.

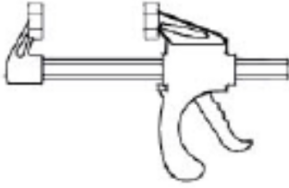


ENSURE FULL RIB IS ATTACHED ON TOP OF PARTIAL RIB



STEP 42 - ROOF ASSEMBLY

QTY	PART NUMBER	DESCRIPTION
2	H100195	BOLT WH 5/16x2 3/4 BLK
8	H100198	WASHER LOCK EXT 8x19
6	H100478	WASHER FLAT 8x27 BLK
6	H100479	NUT LOCK 5/16 BLK
6	H100503	BOLT WH 5/16x3 1/2 BLK



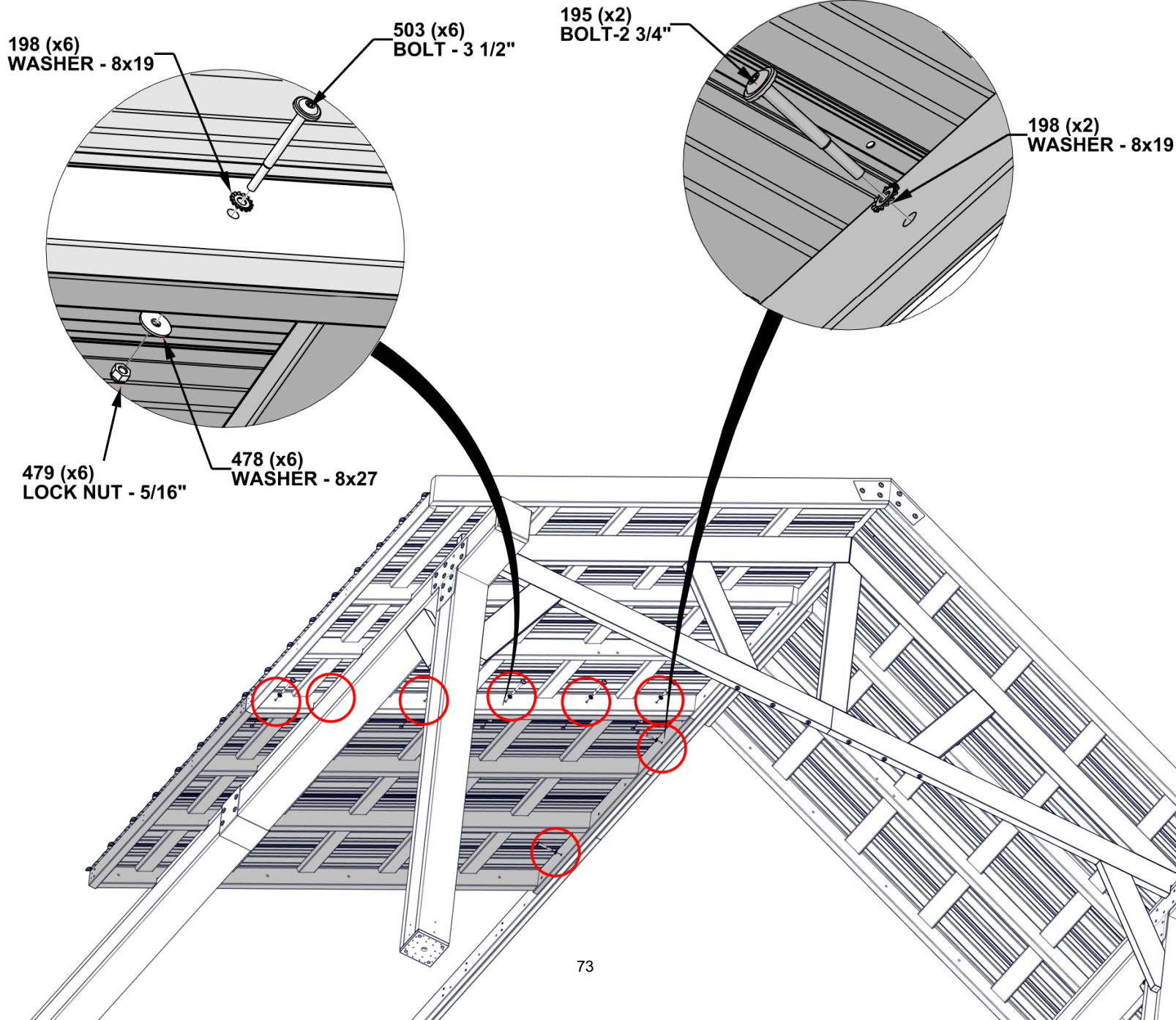
A6P00460 6' QUICK RELEASE CLAMP

**REUSE HARDWARE SET
ASIDE WHEN PANELS
WERE SEPERATED**

- HAND TIGHTEN HARDWARE.

- ADDITIONAL PEOPLE ARE HELPFUL FOR THIS STEP.
- SLIDE ROOF PANEL ALONG GABLE BEAM.
- ALIGN HOLES AND ATTACH HARDWARE AS SHOWN BELOW.
- USE A6P00460 QUICK RELEASE CLAMPS IF NEEDED.

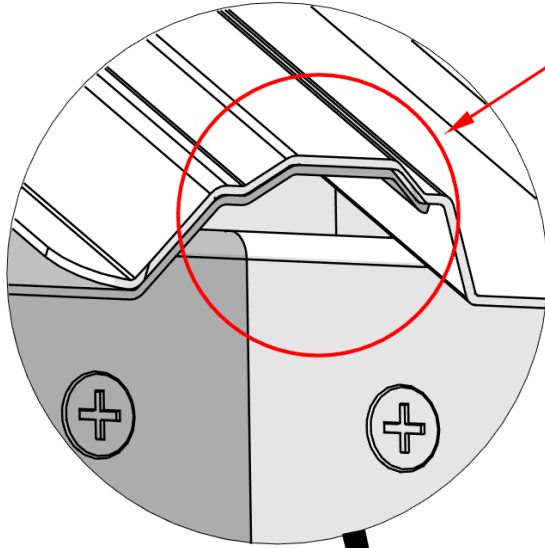
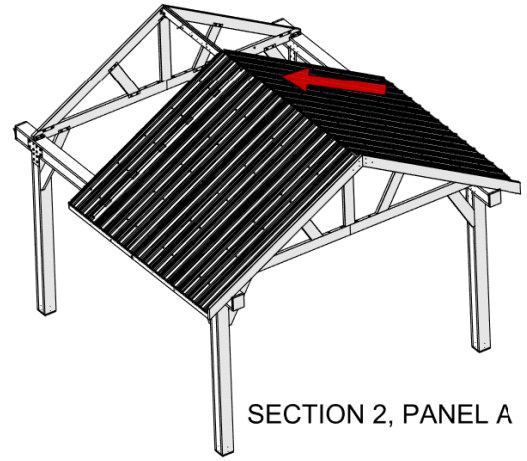
**IMPORTANT TO ATTACH HARDWARE
ALONG RIDGE PEAK FIRST, FASTEN
ROOF PANELS TOGETHER AFTER**



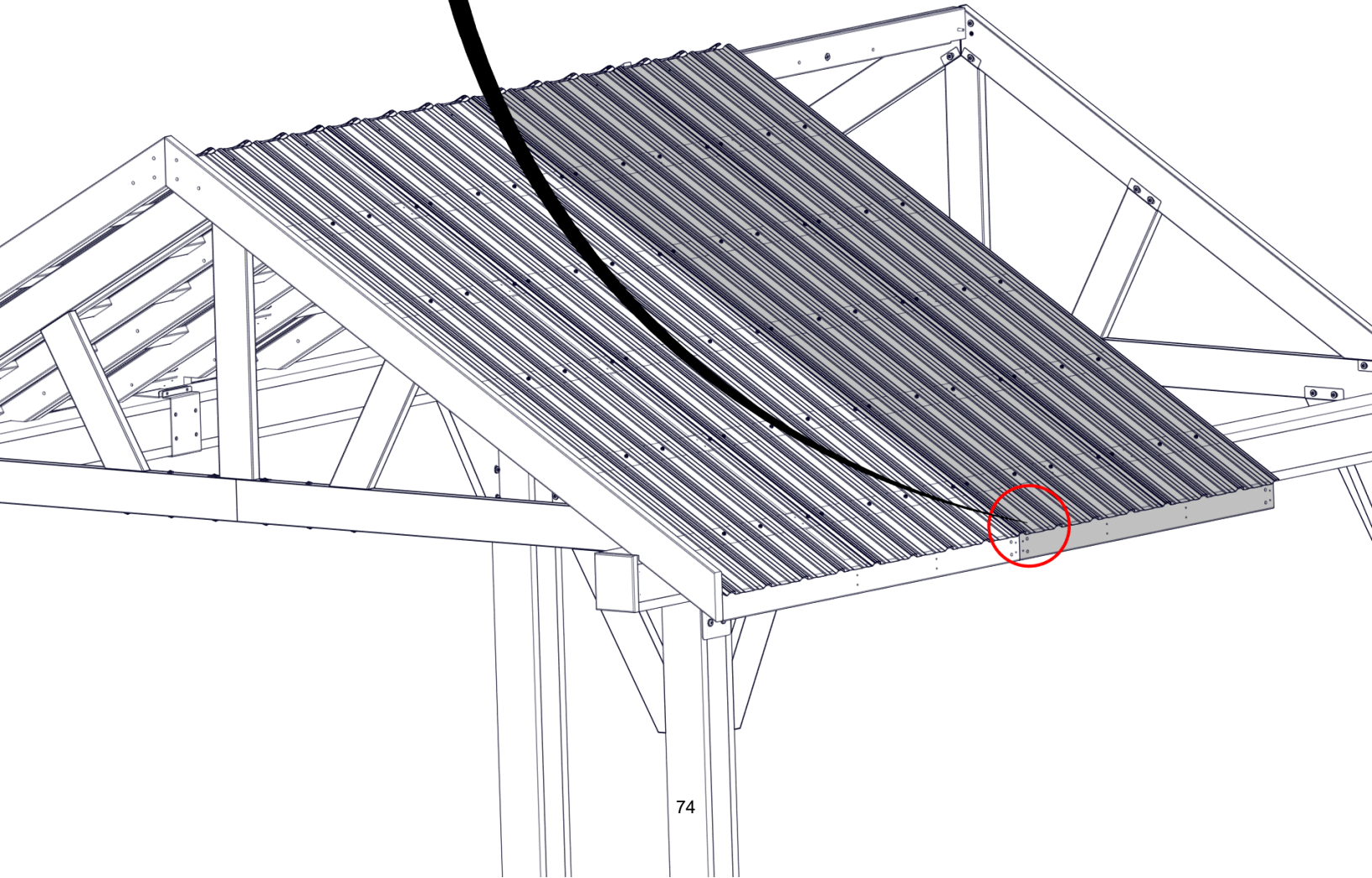
STEP 43 - ROOF ASSEMBLY

CRITICAL:

- IT IS IMPORTANT THAT THE PANELS ARE INSTALLED AS SHOWN.
- PARTIAL RIB MUST BE INSTALLED UNDER FULL RIB.
- FAILURE TO DO SO WILL RESULT IN LEAKING.
- MUST SLIDE PANEL UP FROM BOTTOM WITH RIBS OVERLAPPING.

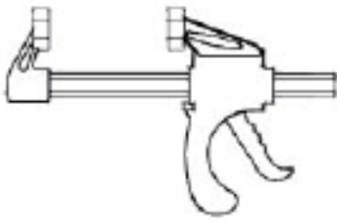


ENSURE FULL RIB IS ATTACHED ON TOP OF PARTIAL RIB



STEP 44 - ROOF ASSEMBLY

QTY	PART NUMBER	DESCRIPTION
10	H100198	WASHER LOCK EXT 8x19
6	H100478	WASHER FLAT 8x27 BLK
10	H100479	NUT LOCK 5/16 BLK
6	H100503	BOLT WH 5/16x3 1/2 BLK
4	H100534	BOLT WH 5/16x4 1/2 BLK
4	H100630	WASHER FLAT 8x19 BLK

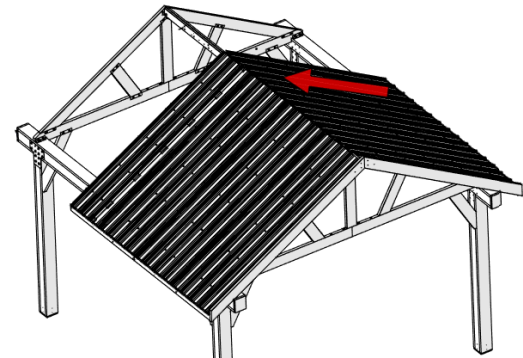


A6P00460 6" QUICK RELEASE CLAMP (x1)

REUSE HARDWARE SET ASIDE WHEN PALENS WERE SEPERATED

- HAND TIGHTEN HARDWARE.

- ADDITIONAL PEOPLE ARE HELPFUL FOR THIS STEP.
- SLIDE ROOF PANEL ALONG GABLE BEAM.
- ALIGN HOLES AND ATTACH HARDWARE AS SHOWN BELOW.
- USE A6P00460 QUICK RELEASE CLAMPS IF NEEDED



SECTION 2, PANEL A

534 (x4)
BOLT - 4 1/2"

IMPORTANT TO ATTACH HARDWARE ALONG RIDGE PEAK FIRST, FASTEN ROOF PANELS TOGETHER AFTER

630 (x4)
WASHER - 8x19

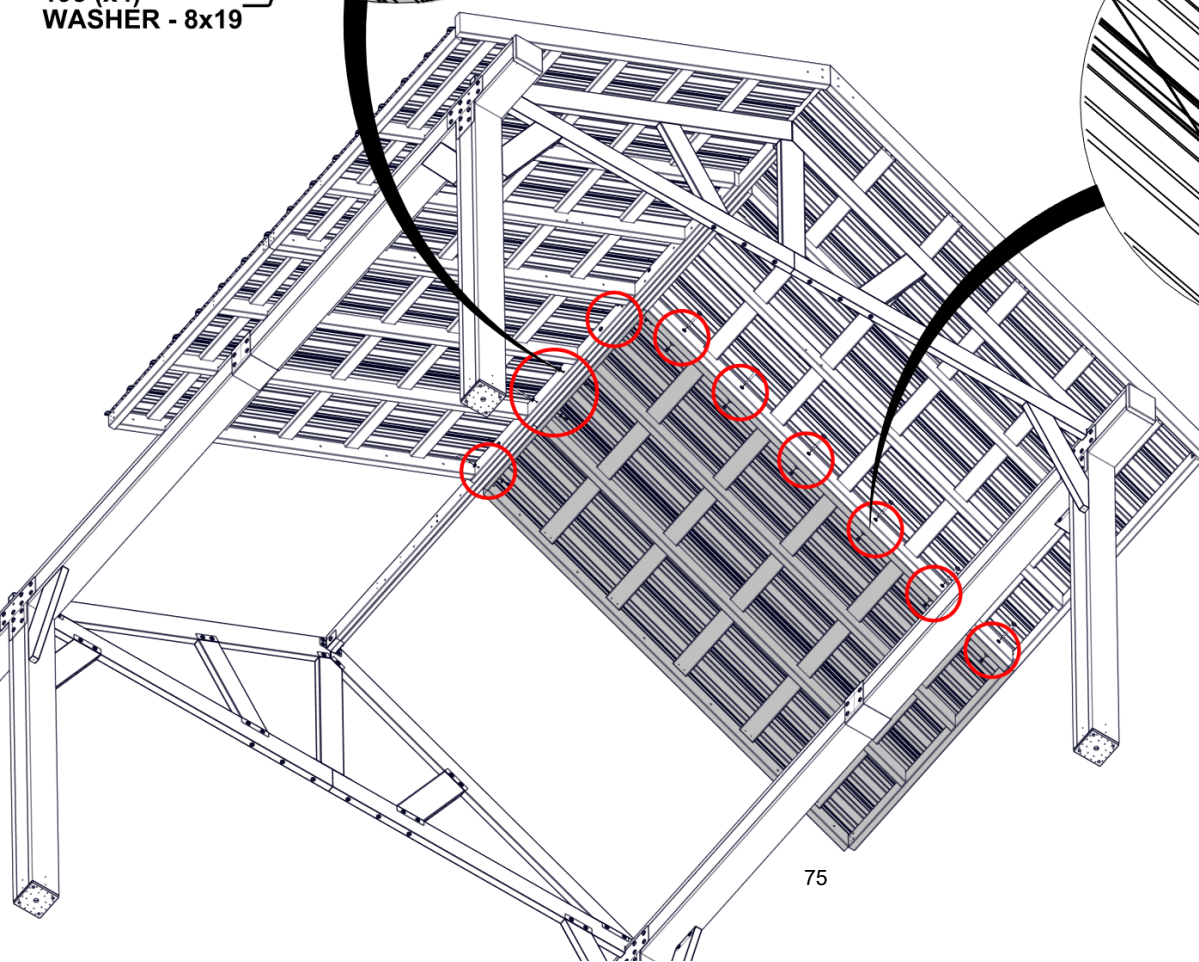
478 (x6)
WASHER - 8x27

479 (x6)
LOCK NUT - 5/16"

198 (x4)
WASHER - 8x19

479 (x4)
LOCK NUT - 5/16"

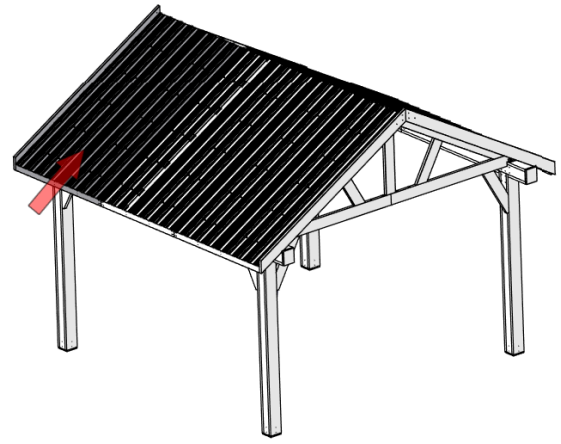
503 (x6)
BOLT - 3 1/2"



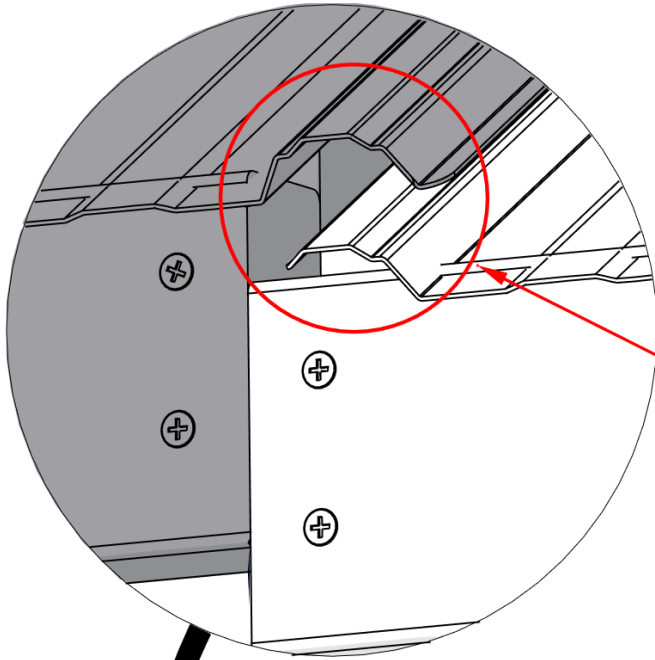
STEP 45 - ROOF ASSEMBLY

CRITICAL:

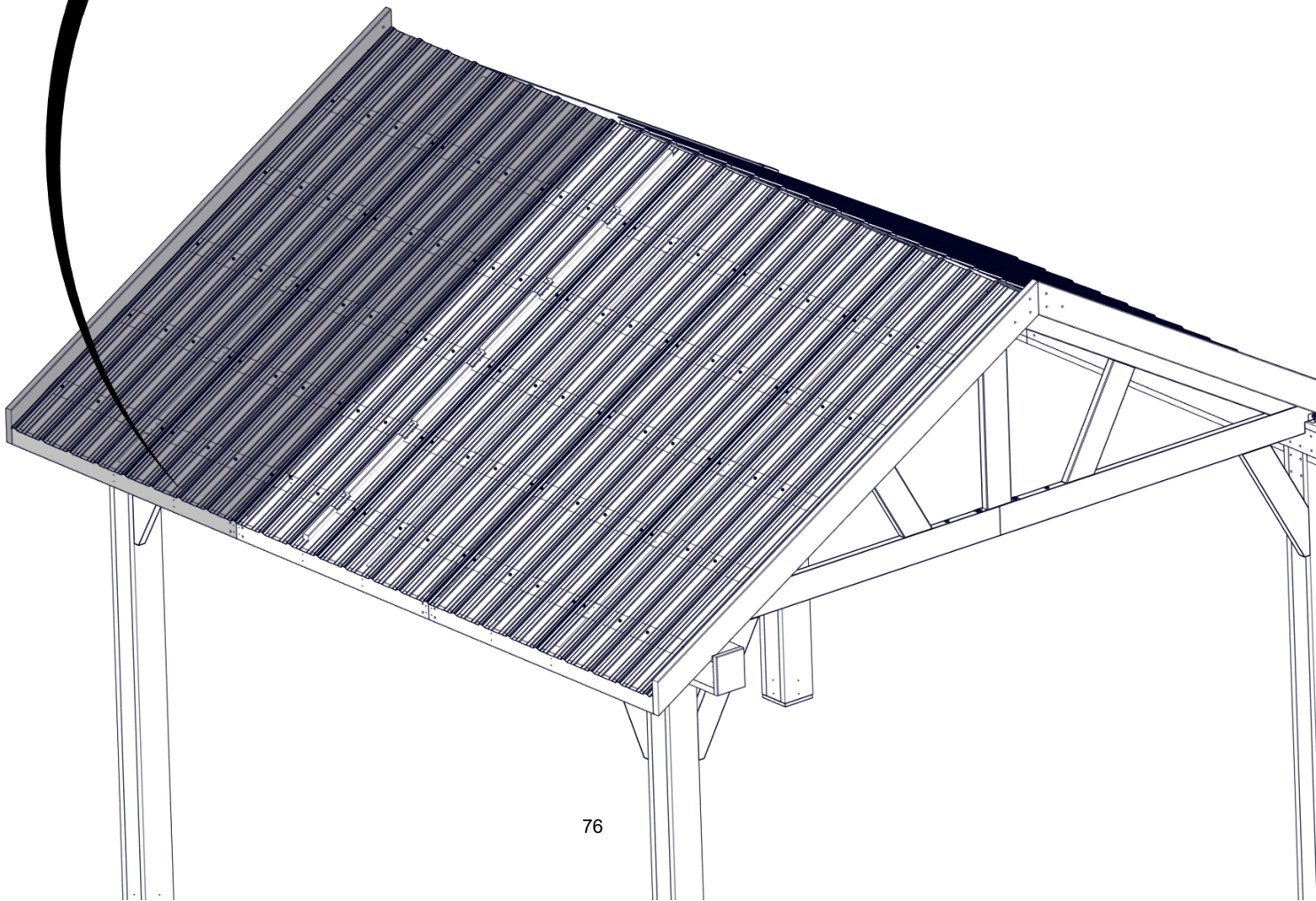
- IT IS IMPORTANT THAT THE PANELS ARE INSTALLED AS SHOWN.
- PARTIAL RIB MUST BE INSTALLED UNDER FULL RIB.
- FAILURE TO DO SO WILL RESULT IN LEAKING.
- MUST SLIDE PANEL UP FROM BOTTOM WITH RIBS OVERLAPPING.



SECTION 3, PANEL 'B'

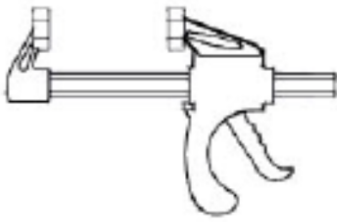


ENSURE FULL RIB IS ATTACHED ON TOP OF PARTIAL RIB



STEP 46 - ROOF ASSEMBLY

QTY	PART NUMBER	DESCRIPTION
2	H100195	BOLT WH 5/16x2 3/4 BLK
4	H100198	WASHER LOCK EXT 8x19
6	H100478	WASHER FLAT 8x27 BLK
6	H100479	NUT LOCK 5/16 BLK
6	H100503	BOLT WH 5/16x3 1/2 BLK

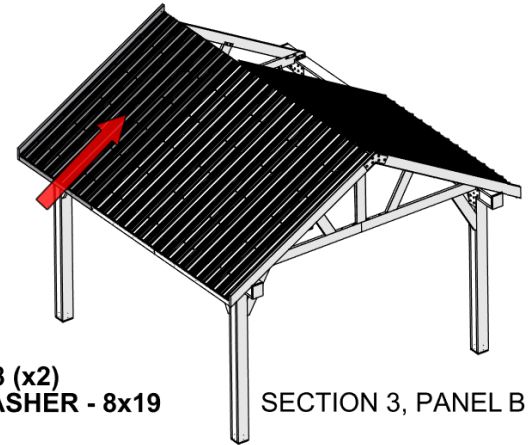


A6P00460 6" QUICK RELEASE CLAMP (x1)

REUSE HARDWARE SET ASIDE WHEN PALLETS WERE SEPERATED

- HAND TIGHTEN HARDWARE.

- ADDITIONAL PEOPLE ARE HELPFUL FOR THIS STEP.
- SLIDE ROOF PANEL ALONG GABLE BEAM.
- ALIGN HOLES AND ATTACH HARDWARE AS SHOWN BELOW.
- USE A6P00460 QUICK RELEASE CLAMPS IF NEEDED



195 (x2)
BOLT - 2 3/4"

198 (x2)
WASHER - 8x19

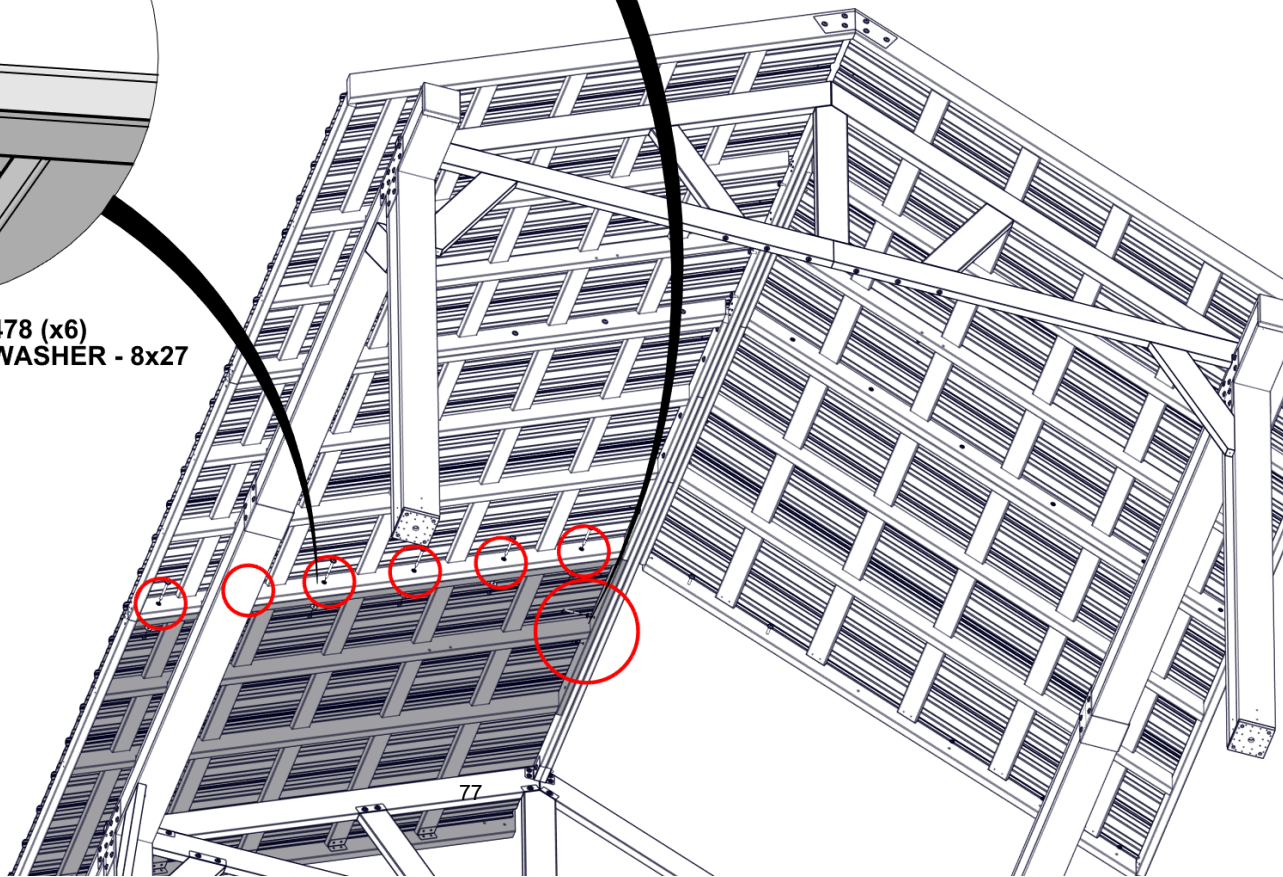
198 (x6)
WASHER - 8x19

503 (x6)
BOLT - 3 1/2"

IMPORTANT TO ATTACH HARDWARE ALONG RIDGE PEAK FIRST, FASTEN ROOF PANELS TOGETHER AFTER

479 (x6)
LOCK NUT - 5/16"

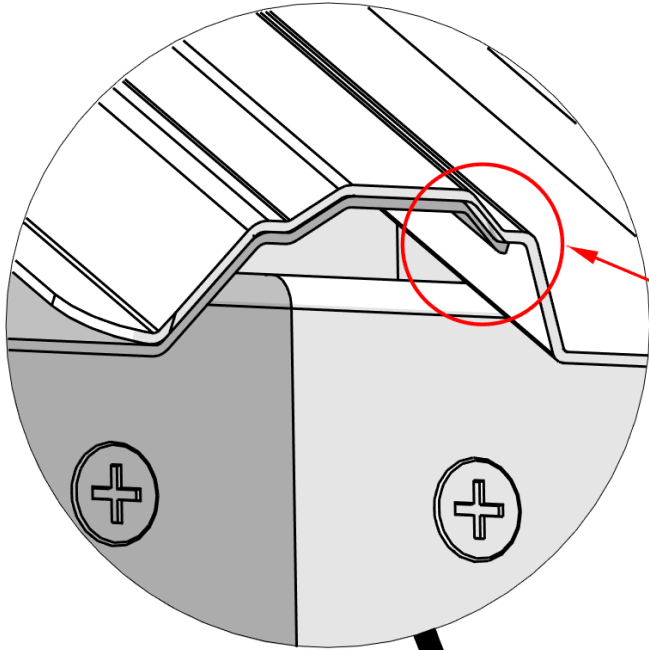
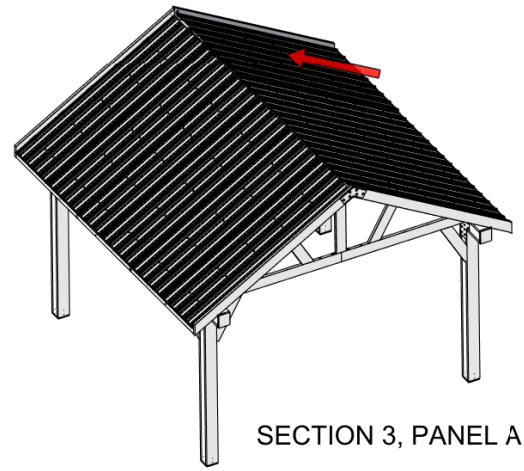
478 (x6)
WASHER - 8x27



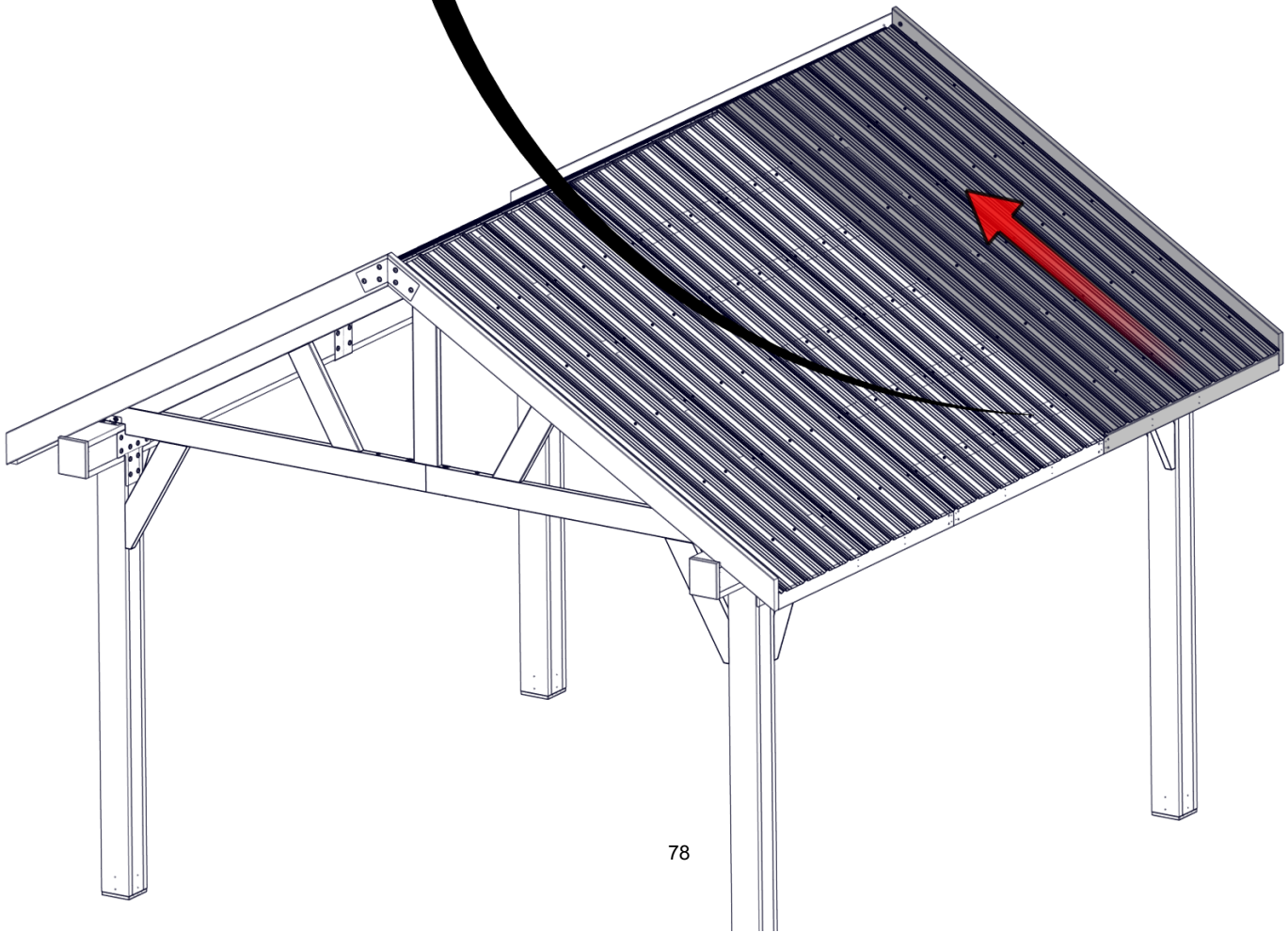
STEP 47 - ROOF ASSEMBLY

CRITICAL:

- IT IS IMPORTANT THAT THE PANELS ARE INSTALLED AS SHOWN.
- PARTIAL RIB MUST BE INSTALLED UNDER FULL RIB.
- FAILURE TO DO SO WILL RESULT IN LEAKING.
- MUST SLIDE PANEL UP FROM BOTTOM WITH RIBS OVERLAPPING.

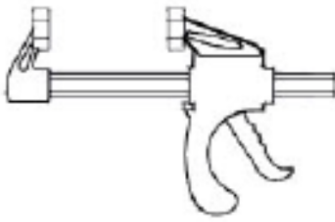


ENSURE FULL RIB IS ATTACHED ON TOP OF PARTIAL RIB



STEP 48 - ROOF ASSEMBLY

QTY	PART NUMBER	DESCRIPTION
8	H100198	WASHER LOCK EXT 8x19
6	H100478	WASHER FLAT 8x27 BLK
8	H100479	NUT LOCK 5/16 BLK
6	H100503	BOLT WH 5/16x3 1/2 BLK
2	H100534	BOLT WH 5/16x4 1/2 BLK
2	H100630	WASHER FLAT 8x19 BLK

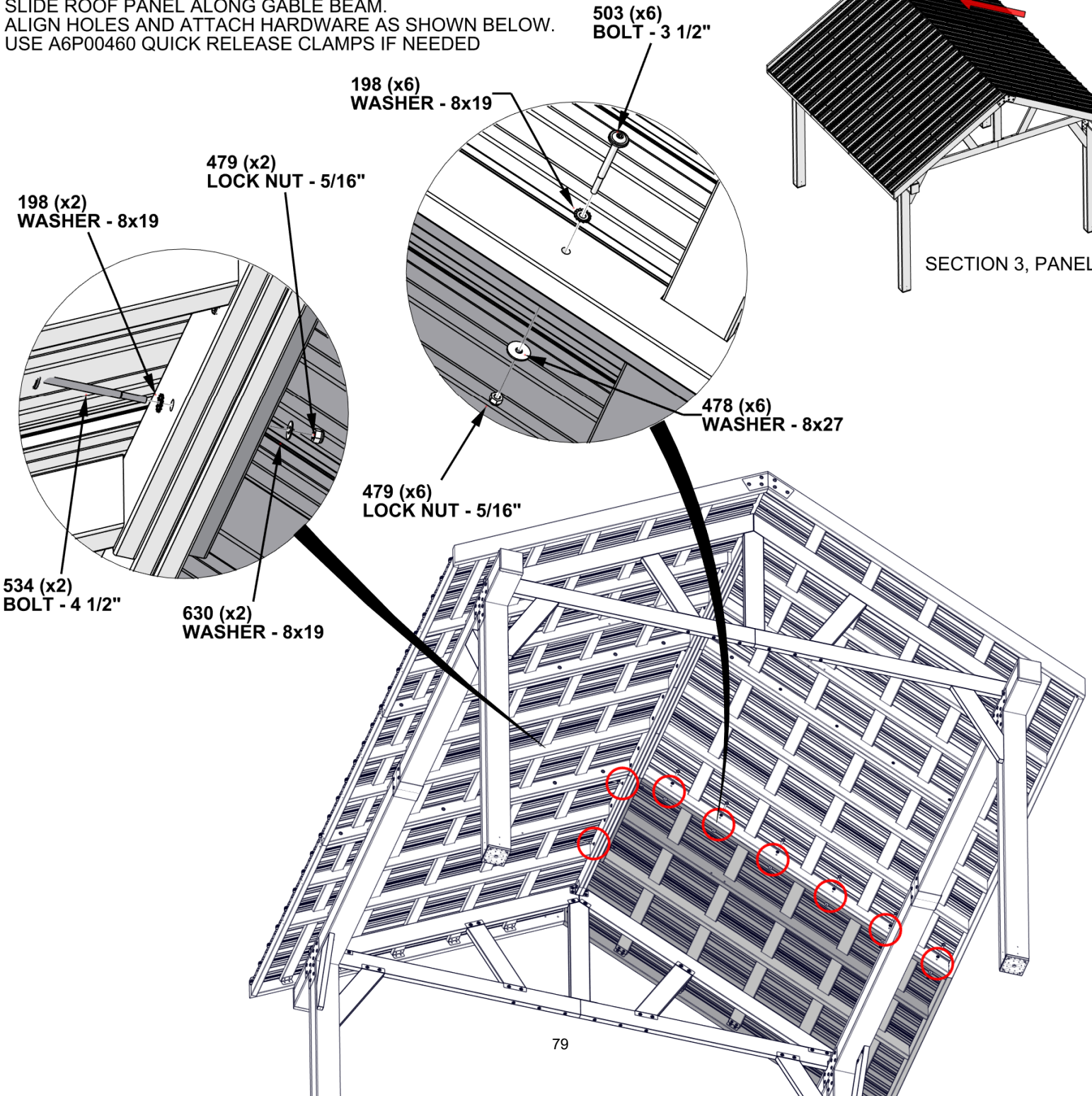
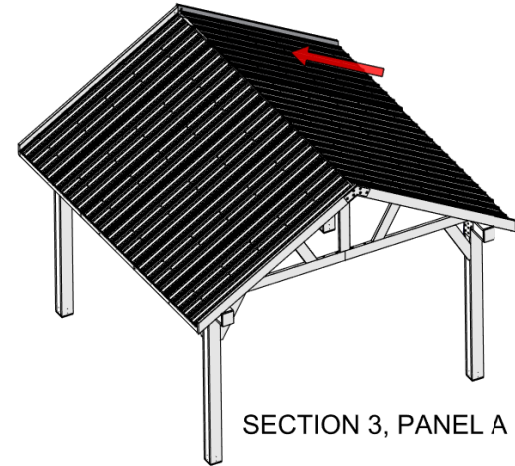


A6P00460 6" QUICK RELEASE CLAMP
(x1)

**REUSE HARDWARE SET
ASIDE WHEN PALENS
WERE SEPERATED**

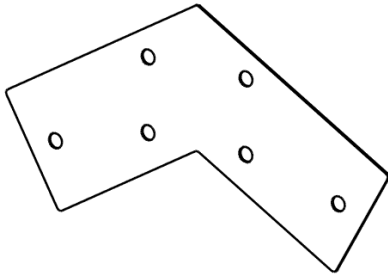
- HAND TIGHTEN HARDWARE.

- ADDITIONAL PEOPLE ARE HELPFUL FOR THIS STEP.
- SLIDE ROOF PANEL ALONG GABLE BEAM.
- ALIGN HOLES AND ATTACH HARDWARE AS SHOWN BELOW.
- USE A6P00460 QUICK RELEASE CLAMPS IF NEEDED



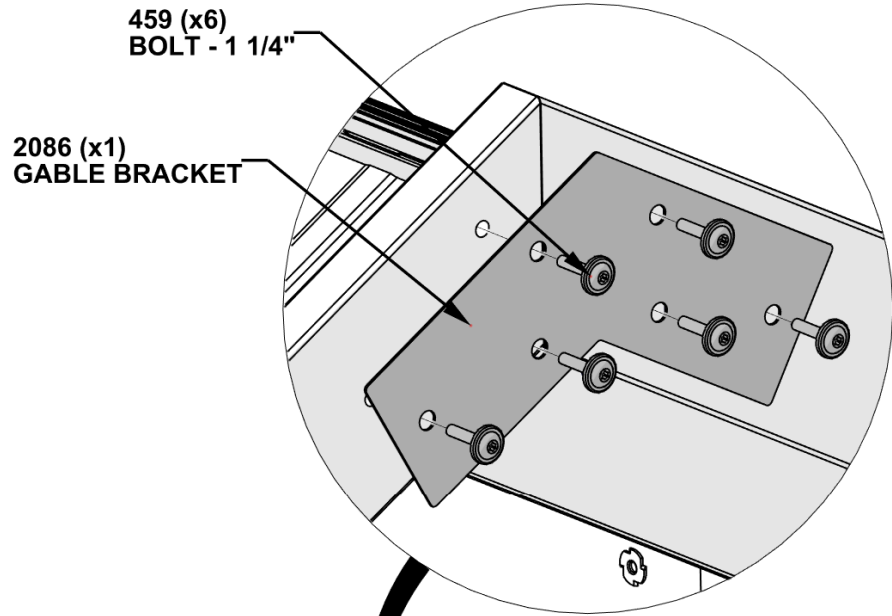
STEP 49 - ROOF ASSEMBLY

QTY	PART NUMBER	DESCRIPTION
6	H100459	BOLT WH 5/16x1 1/4 BLK



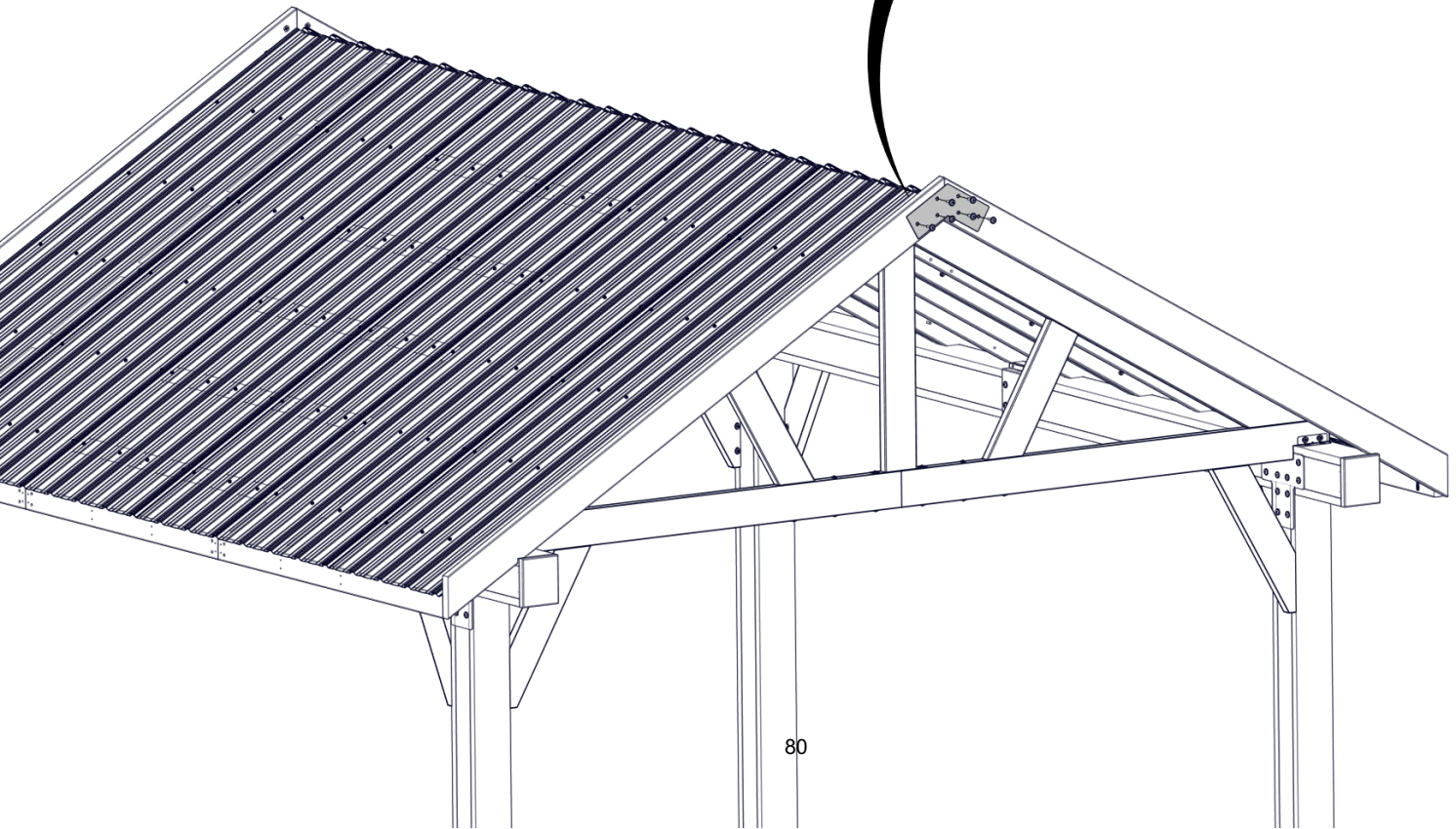
A4M02086 GABLE BRACKET
(x1)

- FASTEN HARDWARE INTO T-NUTS INSTALLED IN D01 AND D02 BOARDS.
- HAND TIGHTEN HARDWARE.
- AFTER ALL HARDWARE HAS BEEN INSTALLED FULLY TIGHTEN ALL HARDWARE.



459 (x6)
BOLT - 1 1/4"

2086 (x1)
GABLE BRACKET



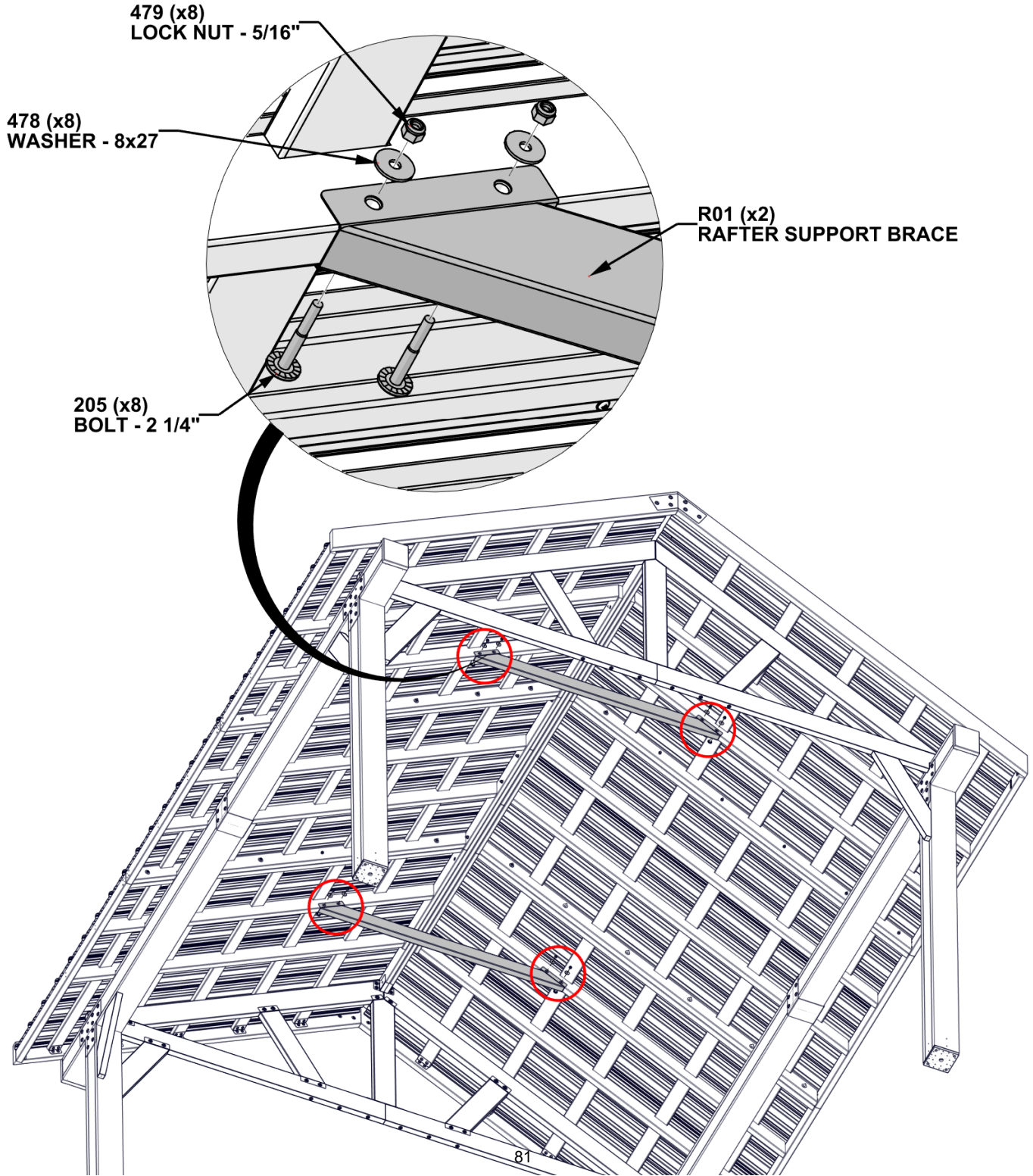
STEP 50 - ROOF ASSEMBLY

QTY	PART NUMBER	DESCRIPTION
8	H100205	BOLT WH 5/16x2 1/4 BLK
8	H100478	WASHER FLAT 8x27 BLK
8	H100479	NUT LOCK 5/16 BLK



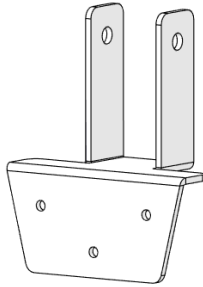
R01 RAFTER SUPPORT BRACE - A4M04329
(x2) 1 9/16"x4 3/8"x60 1/8" (40x111x1527)

- ALIGN RAFTER SUPPORT BRACE WITH HOLES IN RAFTER BEAMS AS SHOWN.



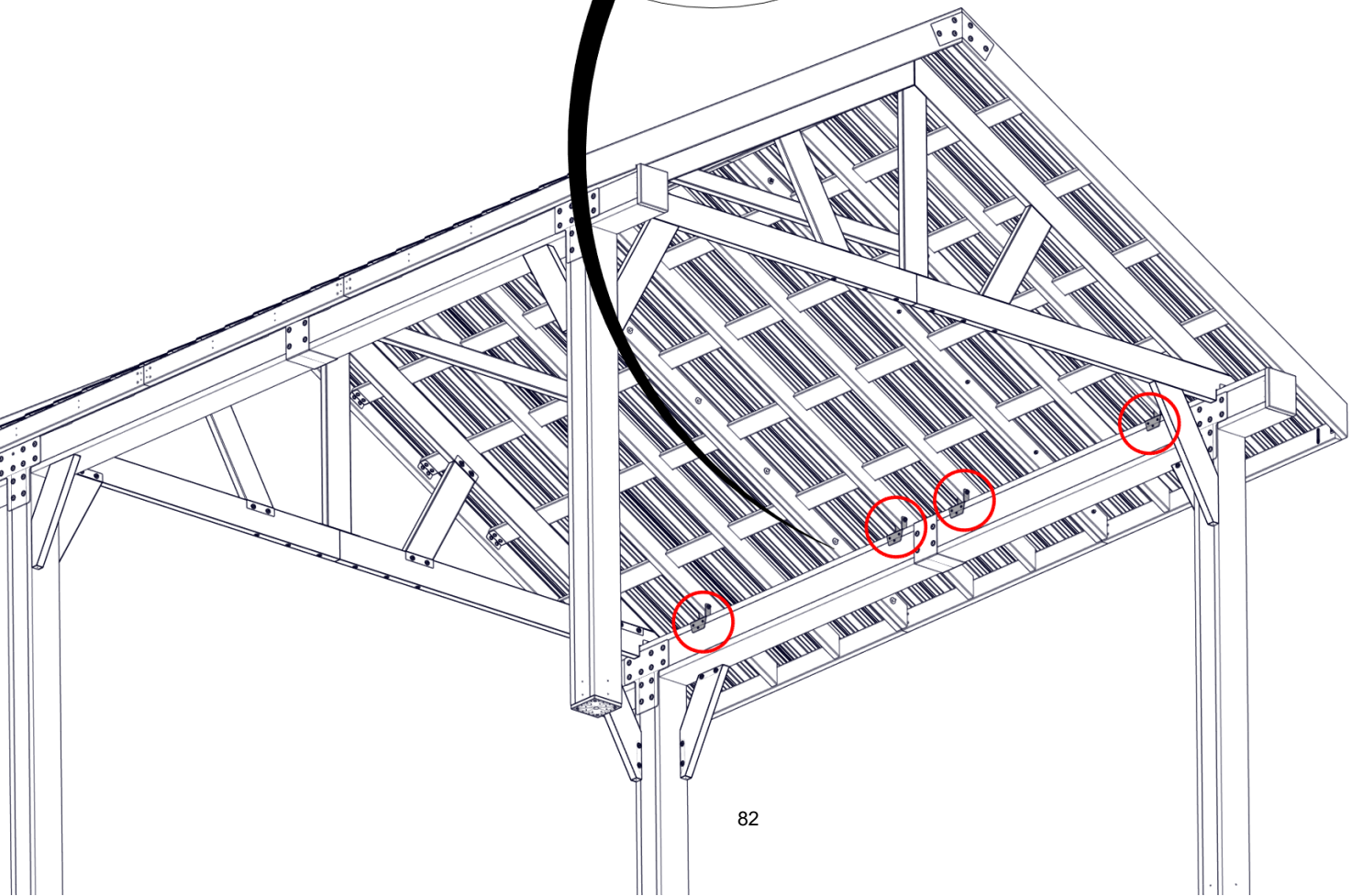
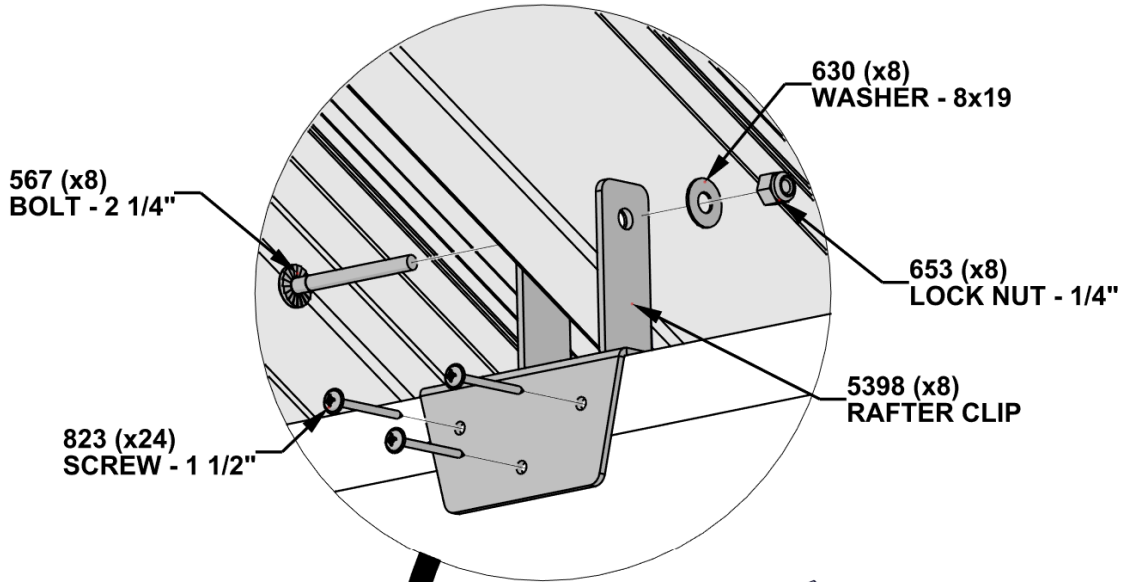
STEP 51 - ROOF ASSEMBLY

QTY	PART NUMBER	DESCRIPTION
8	H100567	BOLT WH 1/4x2 1/4 BLK
8	H100630	WASHER FLAT 8x19 BLK
8	H100653	NUT LOCK 1/4 BLK
24	H100823	SCREW PWH 8x1 1/2 BLK



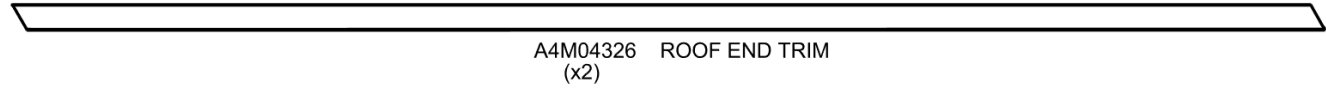
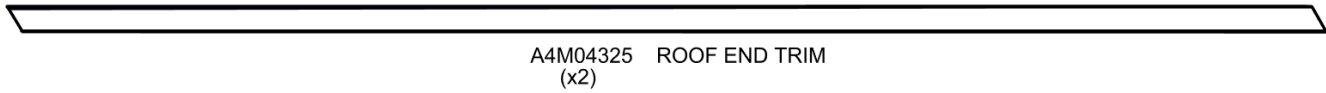
A4M05398 RAFTER CLIP
(x8)

- ALIGN RAFTER CLIPS WITH HOLES IN RAFTERS.
- COMPLETE ON BOTH SIDES.

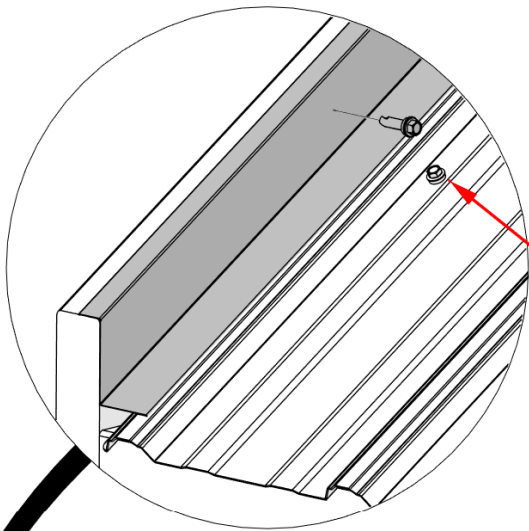


STEP 52 - ROOF ASSEMBLY

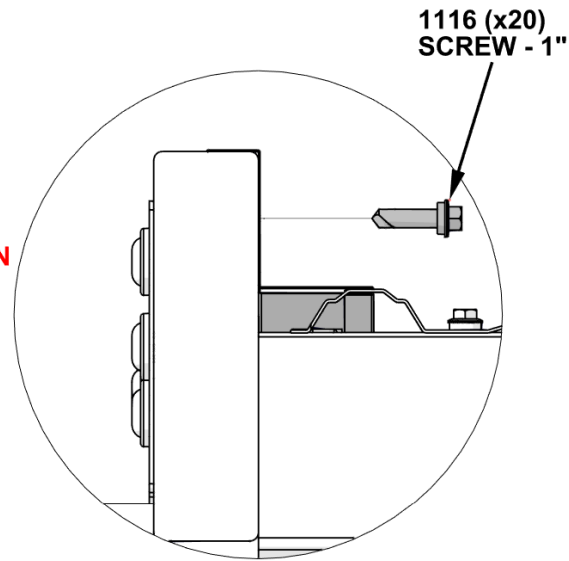
QTY	PART NUMBER	DESCRIPTION
20	H101116	SCREW SELF TAPPING 1/4x1 BLK



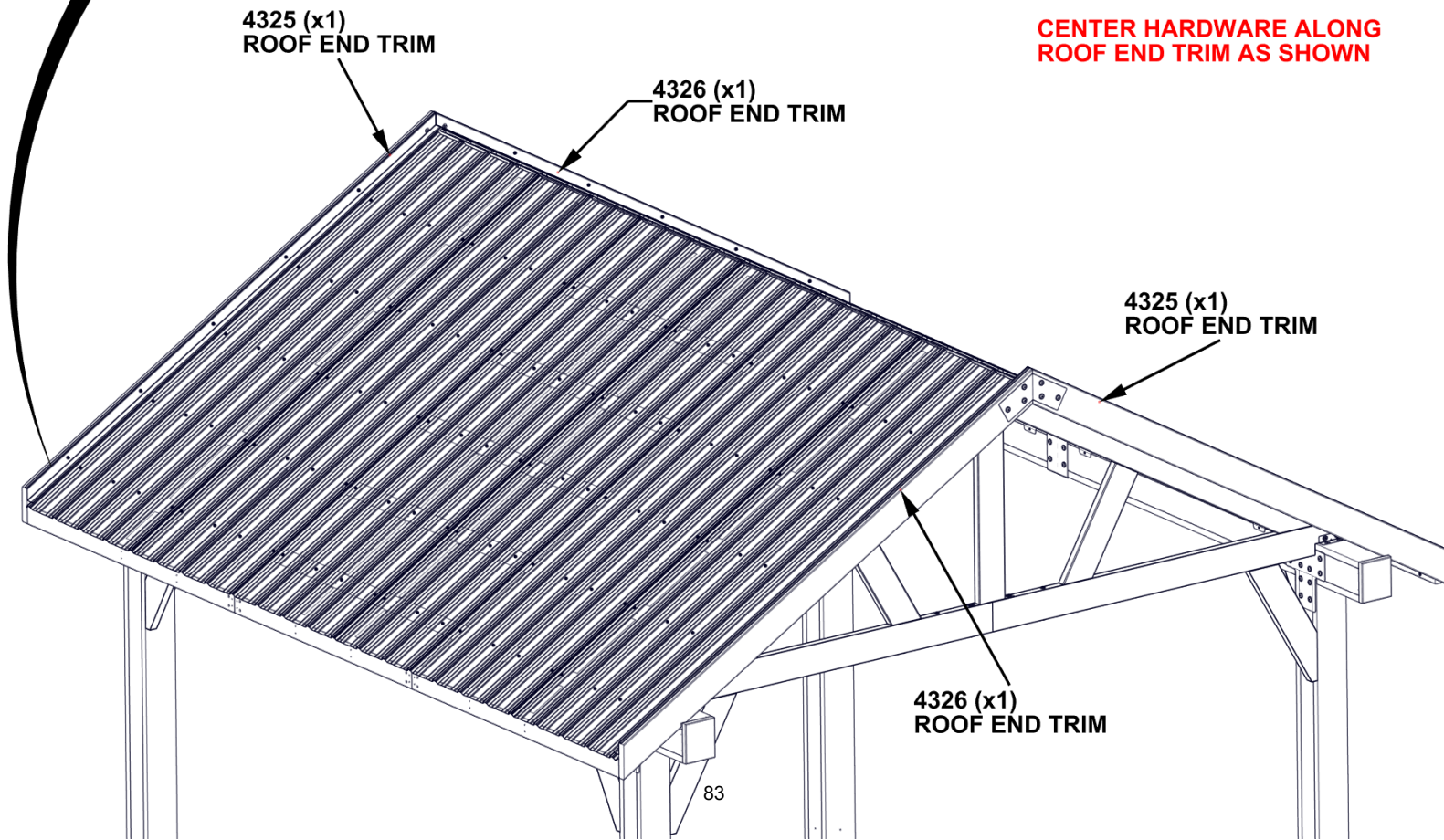
- REMOVE PROTECTIVE BLUE FILM.
- GLOVES SHOULD BE WORN WHEN HANDLING ROOF PANELS: EDGES ARE SHARP.
- ALIGN 1116 HARDWARE IN LINE WITH HARDWARE FROM ROOF SHEETING.



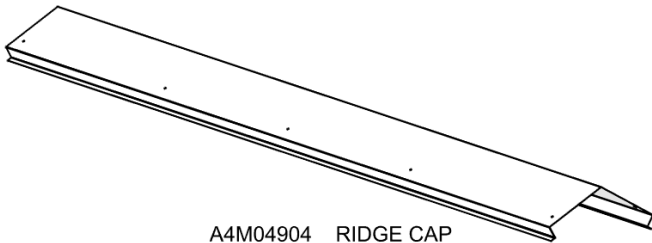
ALIGN HARDWARE WITH SHEET METAL SCREWS IN ROOF ASSEMBLY



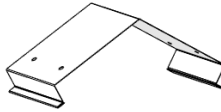
CENTER HARDWARE ALONG ROOF END TRIM AS SHOWN



STEP 53A - RIDGE CAP ASSEMBLY

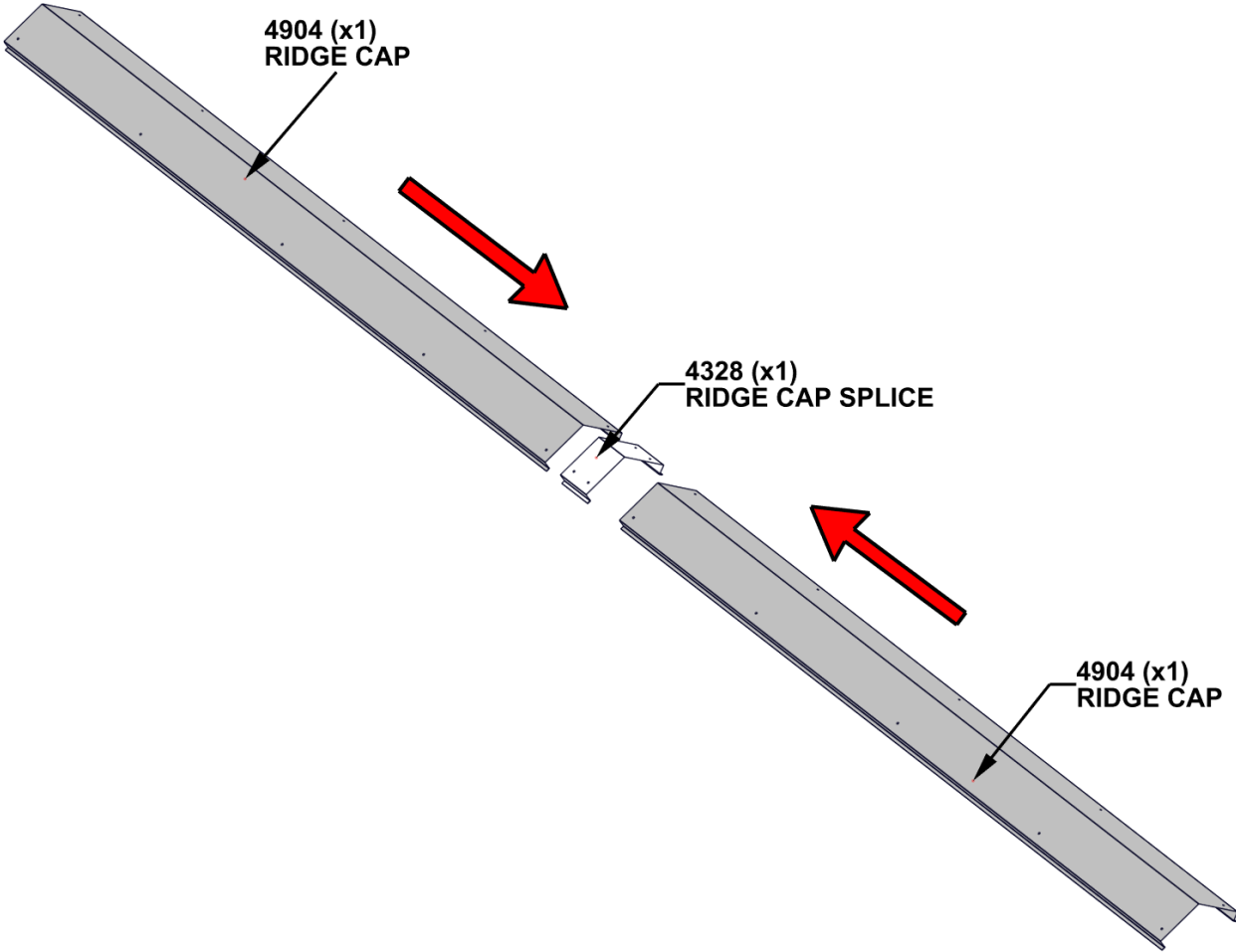


A4M04904 RIDGE CAP
(x2)



A4M04328 RIDGE CAP SPLICE
(x1)

- REMOVE PROTECTIVE BLUE FILM.
- GLOVES SHOULD BE WORN WHEN HANDLING ROOF PANELS: EDGES ARE SHARP.
- SLIDE EACH RIDGE CAP INTO THE RIDGE CAP SLICE UNTIL CENTERED.

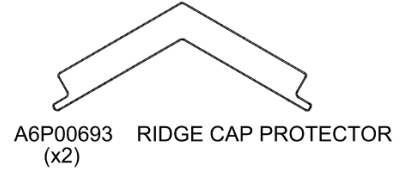


STEP 53B - RIDGE CAP ASSEMBLY

QTY	PART NUMBER	DESCRIPTION
20	H101117	SCREW WOODGRIP 10-16x3/4" BLK

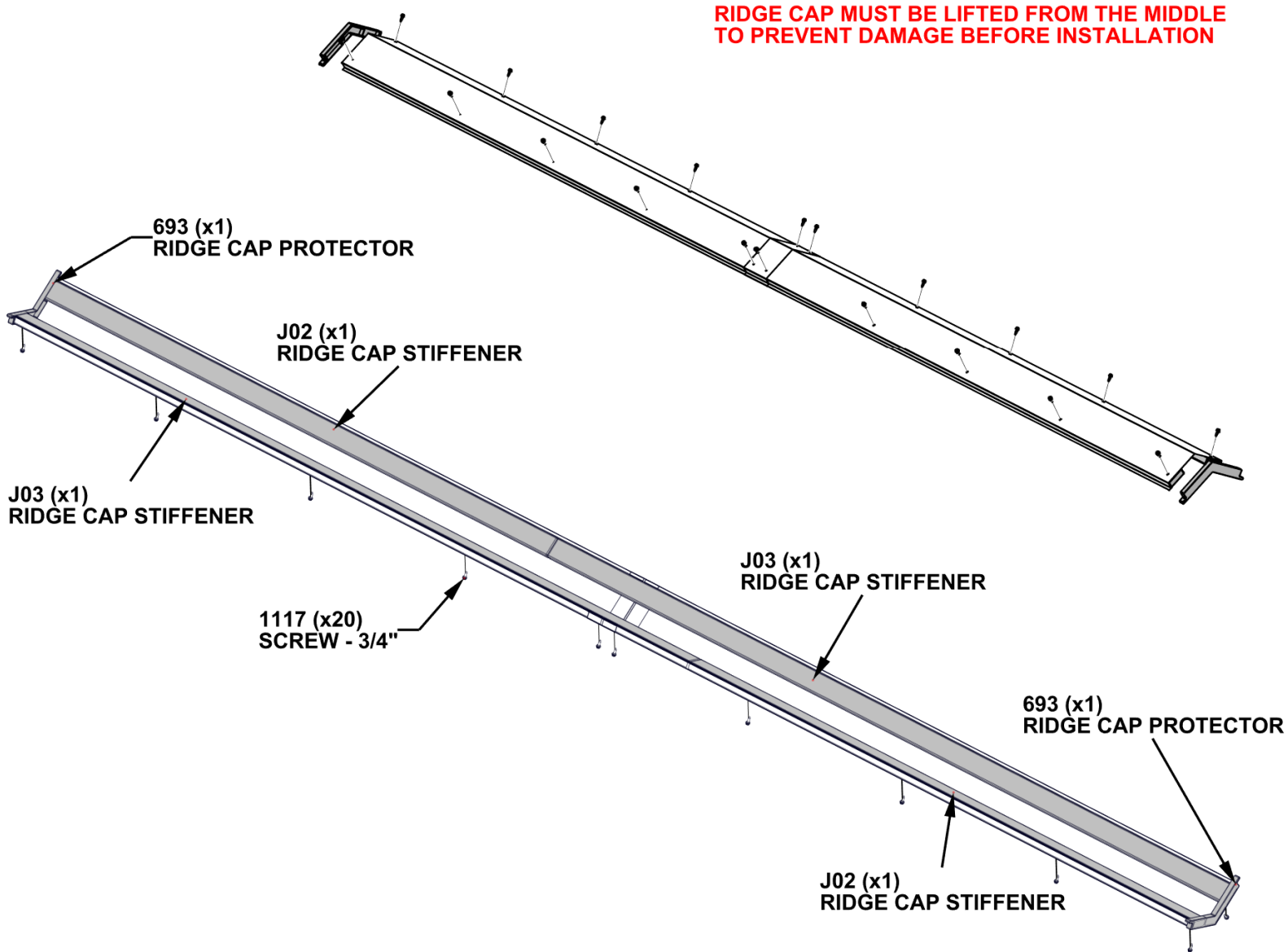
J02 RIDGE CAP STIFFENER - W4L21554
(x2) 15/16"X2 3/8"X71 3/8" (24x60x1812)

J03 RIDGE CAP STIFFENER - W4L21555
(x2) 15/16"X2 3/8"X95 1/2" (24x60x2427)



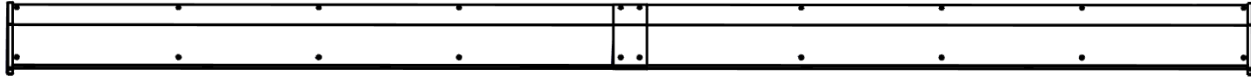
- REMOVE SPACERS FROM RIDGE CAP PROTECTORS BEFORE INSTALLING.
- ALIGN THE HOLES ON EACH RIDGE CAP TO THE HOLES IN THE RIDGE CAP SPLICE BEFORE INSERTING.

- FINAL ASSEMBLED LENGTH - 13'-11 1/16" [4244mm]



STEP 53C - RIDGE CAP ASSEMBLY

QTY	PART NUMBER	DESCRIPTION
15	H100392	SCREW PWH 8x3/4 BLK
3	W4L21176	

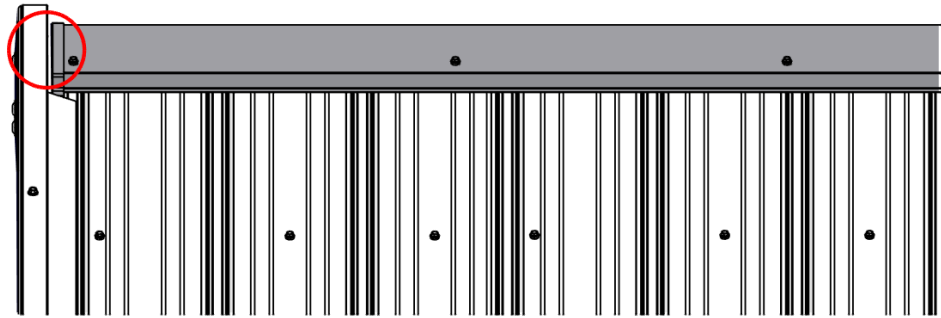


RIDGE CAP ASSEMBLY - FROM PREVIOUS STEP

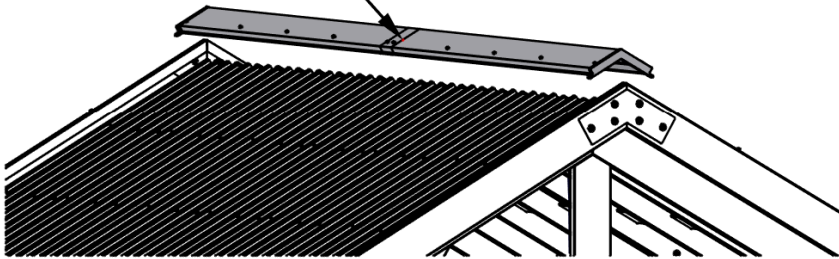
DO NOT CLIMB ON ROOF TO INSTALL. RIDGE CAP HAS BEEN DESIGNED TO INSTALL WITH THE USE OF A LADDER.

- FOR PROPER INSTALLATION, USE AN ADULT HELPER TO KEEP DOWNWARD PRESSURE ON THE RIDGE CAP WHILE SCREWING IN SCREWS.

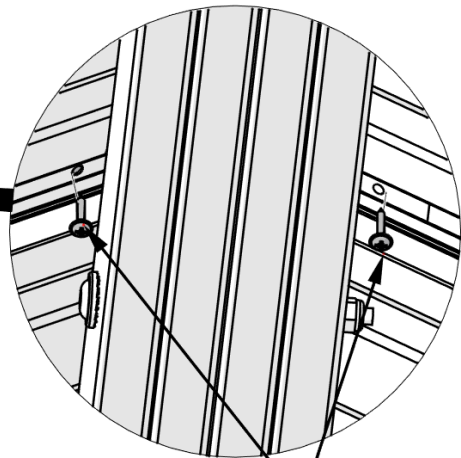
CENTER RIDGE CAP WITH APPROXIMATELY 1/8" [3mm] GAP ON EITHER SIDE.



RIDGE CAP ASSEMBLY

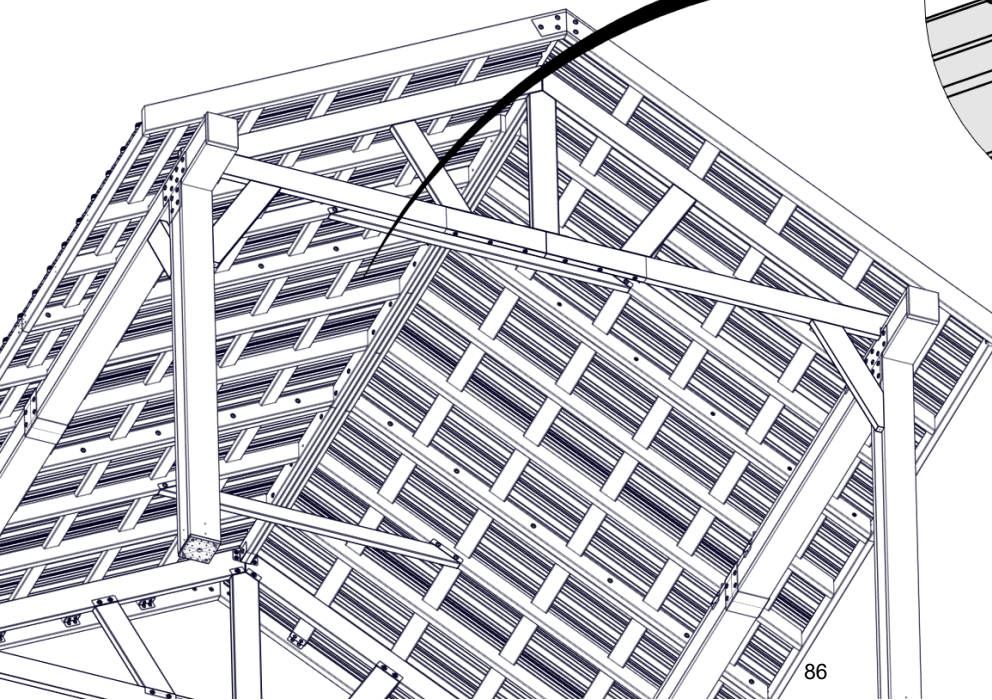


SLIDE RIDGE CAP ASSEMBLY ACROSS THE RIDGE UNTIL BOTH ENDS SIT INSIDE RAFTERS AS SHOWN



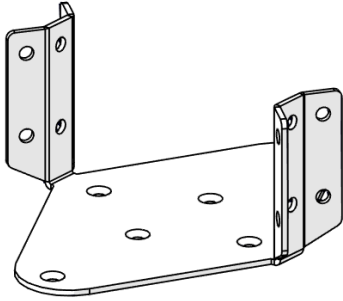
**392 (x16)
SCREW - 3/4"**

INSTALL SCREWS THROUGH PILOT HOLES IN ROOF PANELS INTO RIDGE CAP STIFFENER BOARDS USING THE H101114 RIGHT ANGLE DRILL ADAPTER ATTACHMENT INCLUDED



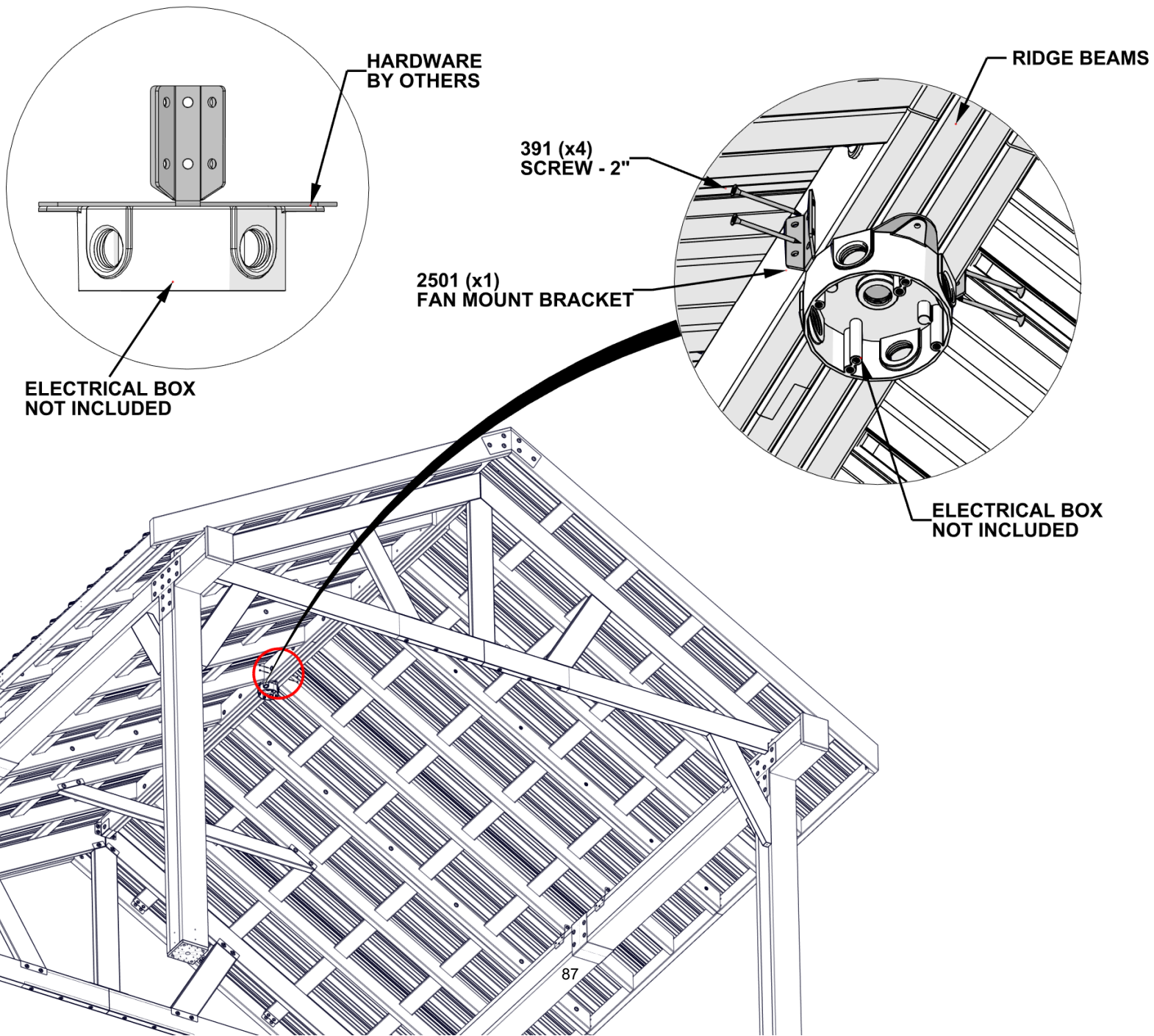
STEP 54 - GAZEBO ASSEMBLY

QTY	PART NUMBER	DESCRIPTION
4	H100391	SCREW PFH 8x2 BLK



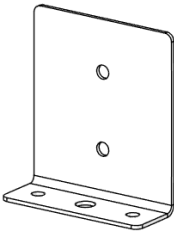
A4M02501 FAN MOUNT BRACKET
(x1)

- BEFORE MOUNTING, ATTACH YOUR ELECTRICAL BOX (PROVIDED SEPERATELY) USING THE PROVIDED HOLES IN FAN MOUNT BRACKET.
- PLACE FAN MOUNT BRACKET ON RIDGE BEAMS AND MOVE TO DESIRED FAN LOCATION.
- ROTATED BRACKET UNTIL MOUNTING FLANGES ALIGN BEST WITH RIDGE BEAMS.
- USE AN 1/8" [3mm] DRILL BIT AND DRILL PILOT HOLES AND ATTACH AS SHOWN.
- IF BRACKET WILL NOT FIT OVER THE RIDGE BEAM, SLIGHTLY FLEX OUT BRACKET EARS TO FIT.

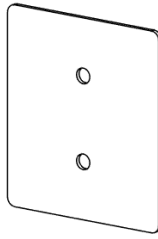


STEP 55 - GAZEBO ASSEMBLY

QTY	PART NUMBER	DESCRIPTION
32	H100471	LAG SCREW WH 5/16x1 1/2 BLK

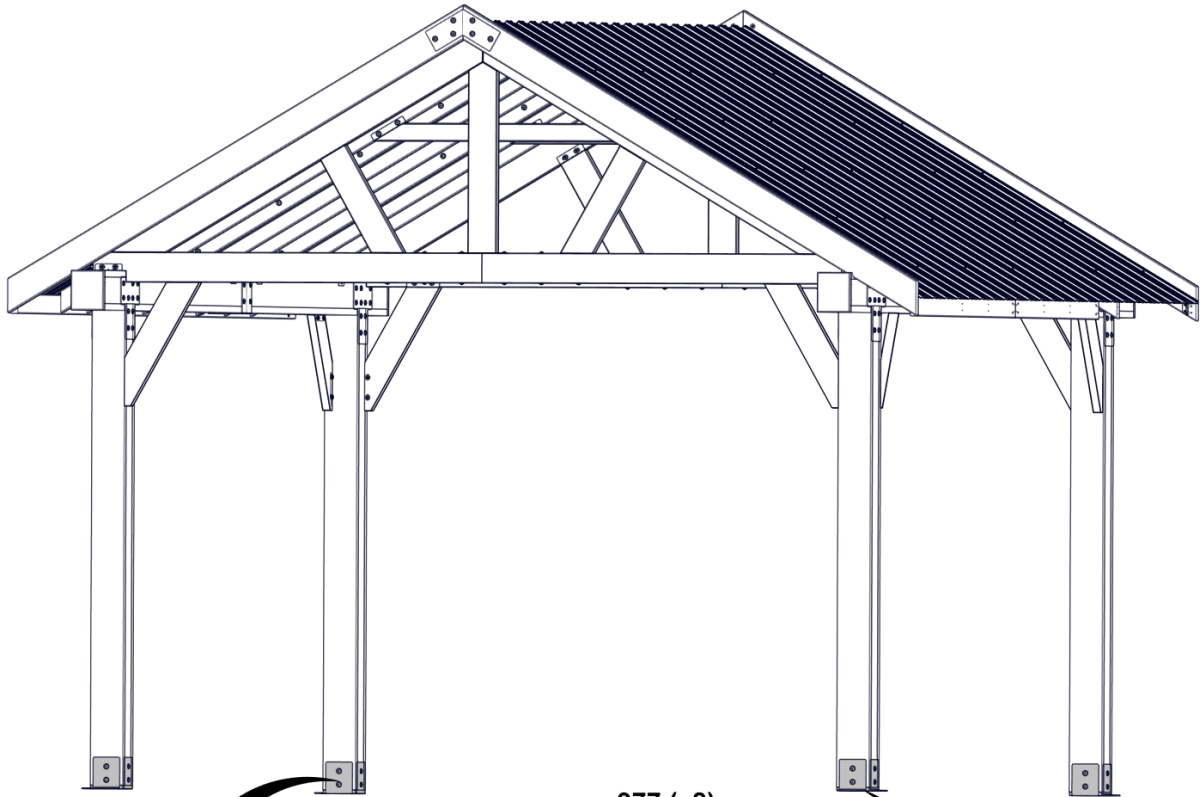


A4M00977 POST ANCHORING PLATE WITH FLANGE
(x8)



A4M00978 POST PLATE
(x8)

- ALIGN POST PLATES WITH PILOT HOLES IN POSTS.



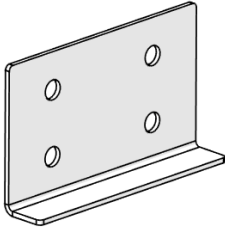
977 (x8)
POST ANCHORING
PLATE

471 (x32)
LAG SCREW - 1 1/2"

978 (x8)
POST PLATE

STEP 56 - GAZEBO ASSEMBLY

QTY	PART NUMBER	DESCRIPTION
16	H100407	BOLT WH 5/16x1 1/2 BLK

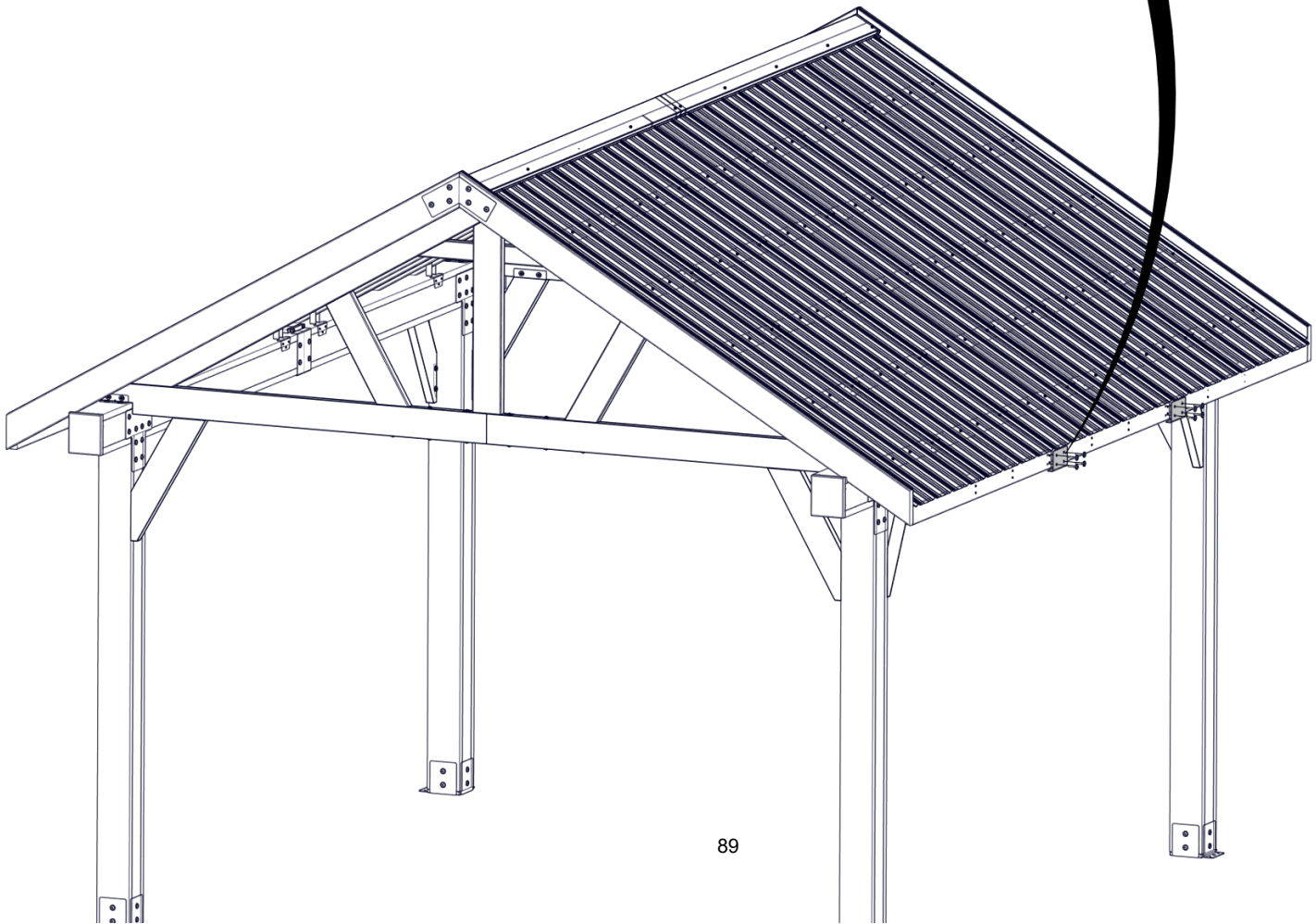
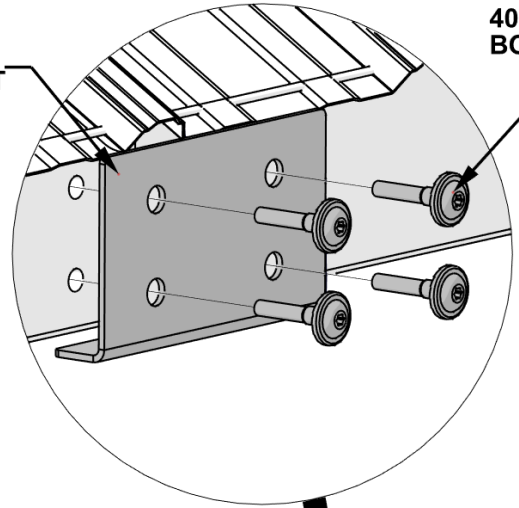


A4M01560 OUTSIDE TIE BRACKET
(x4)

- ALIGN OUTSIDE TIE BRACKET WITH PILOT HOLES IN TRIM BOARDS ON BOTH SIDES.
- ATTACH USING HARDWARE INTO T-NUTS INSTALLED IN PREVIOUS STEPS.
- NOTE ORIENTATION OF 560 OUTSIDE TIE BRACKET.
- COMPLETE ON BOTH SIDES.

560 (x4)
OUTSIDE TIE BRACKET

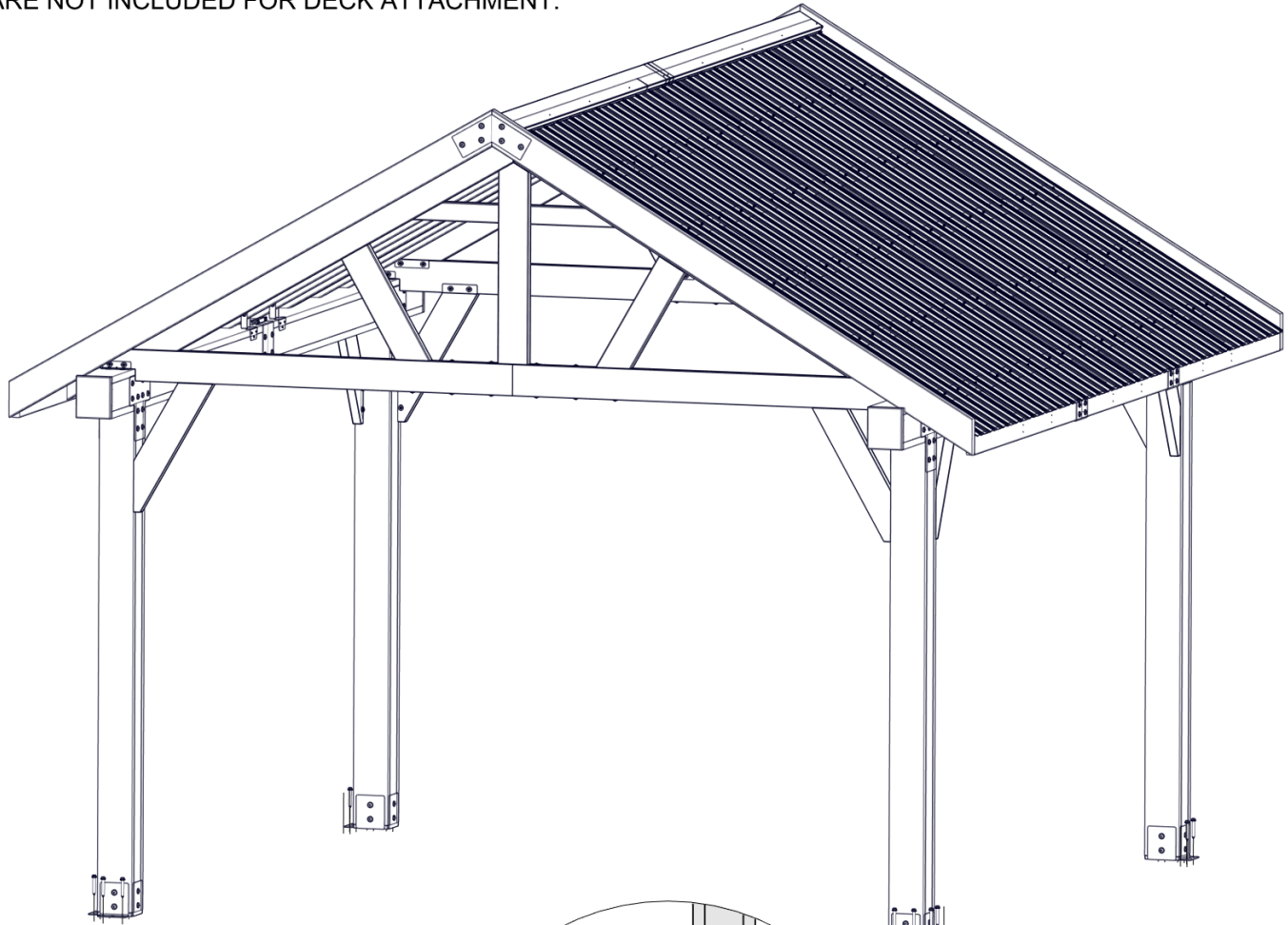
407 (x16)
BOLT - 1 1/2"



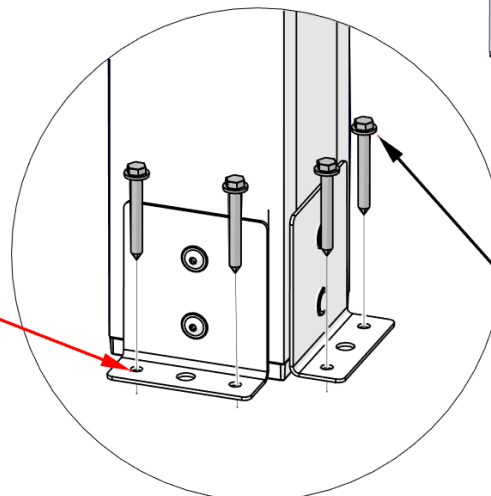
STEP 57 - GAZEBO ASSEMBLY

QTY	PART NUMBER	DESCRIPTION
16	H101165	CONCRETE ANCHOR 3/8x3" BLK

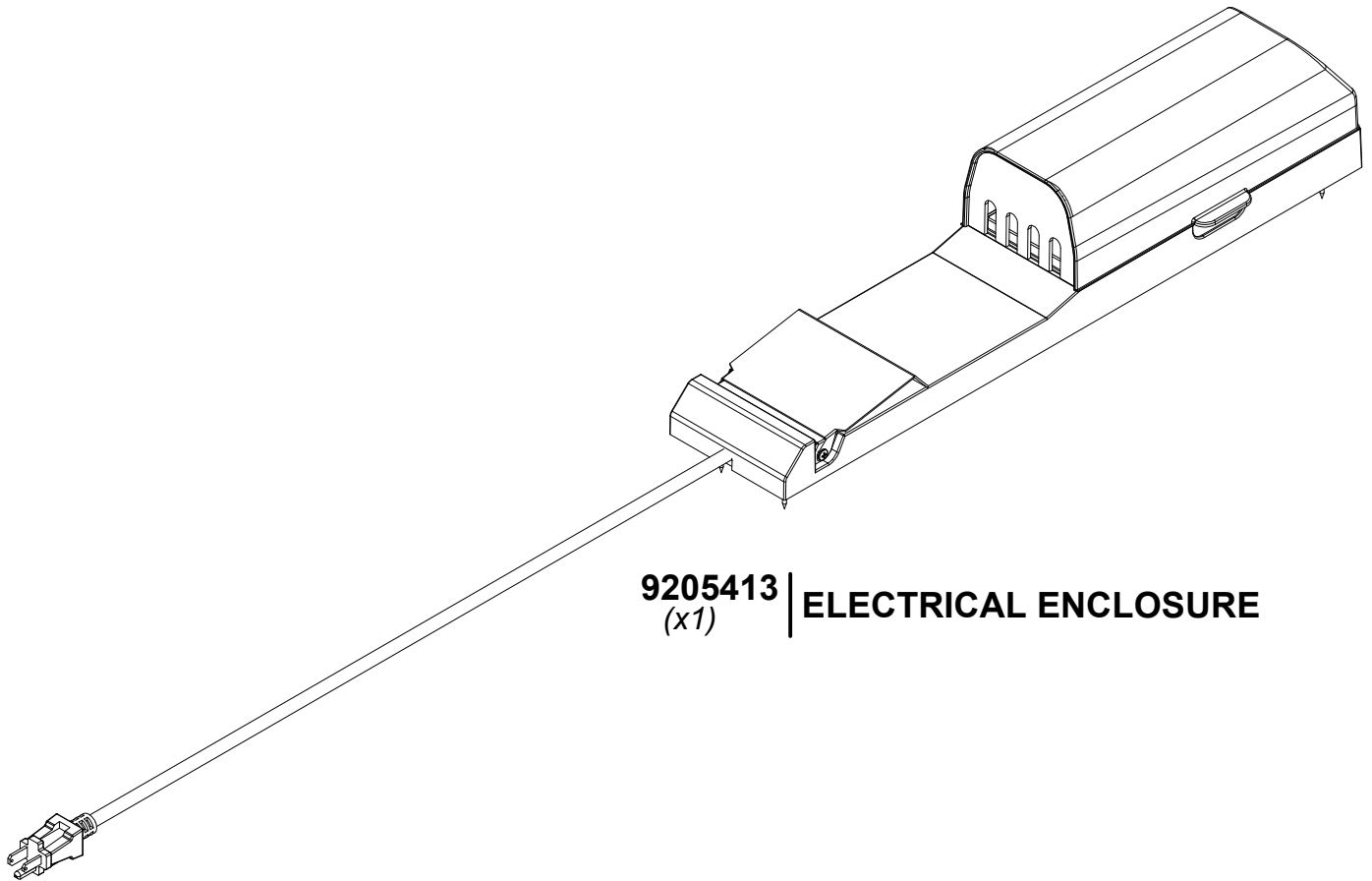
- MANUFACTURER RECOMMENDS INSTALLATION ON CONCRETE SURFACES OR CONCRETE POST PAD AS SHOWN BELOW.
- FOR INSTALLATION ON WOOD DECK, YOU MUST ENSURE THERE IS AMPLE STRUCTURAL SUPPORT UNDER THE DECK.
- HARDWARE NOT INCLUDED FOR DECK ATTACHMENT.



**PRE-DRILL HOLES FOR
CONCRETE ANCHORS USING
A 5/16" [8mm] CONCRETE
DRILL BIT**



**1165 (x16)
CONCRETE ANCHOR-3"**



9205413 | **ELECTRICAL ENCLOSURE**
(x1)

FOR POWERPORT INSTALLATION REFER TO ASSEMBLY INSTRUCTIONS THAT COME PACKAGED WITH THE POWERPORT KIT. INSTALL ON ANY POST THAT IS DESIRED. FOLLOW DIRECTIONS FOR PROPER INSTALLATION.