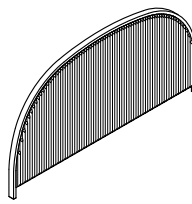
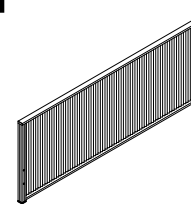
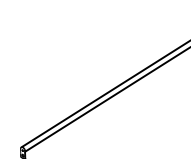
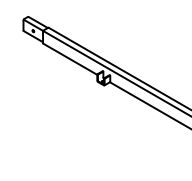
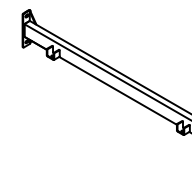
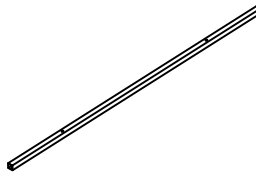
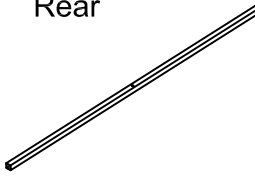
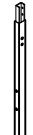






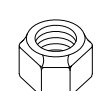

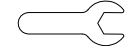
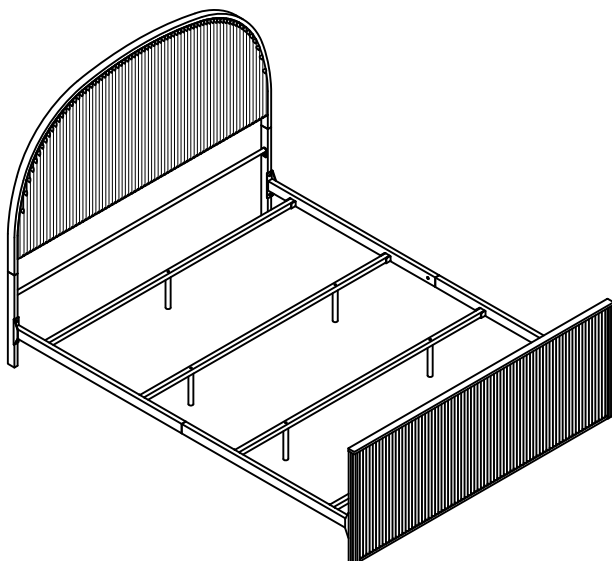


ASSEMBLY INSTRUCTIONS

METAL QUEEN BED

A Headboard  1pc	B Footboard  1pc	C Bar  1pc	D Side Rail - Rear  2pcs	E Side Rail - Front  2pcs
F Slat - Center  2pcs	G Slat - Front / Rear  2pcs	H Extension Leg - Left  1pc	I Extension Leg - Right  1pc	J Support Leg  6pcs
K Bolt $\phi 1/4" \times 5/8"$  24pcs	L Bolt $\phi 1/4" \times 1-3/4"$  6pcs	M Bolt $\phi 1/4" \times 2-1/4"$  4pcs	N Flat Washer $\phi 1/4" \times 5/8"$  38pcs	O Nut $\phi 1/4"$  4pcs
P Allen Key 4 x 22 x 60mm  1pc	Q Wrench 11.3mm  1pc			



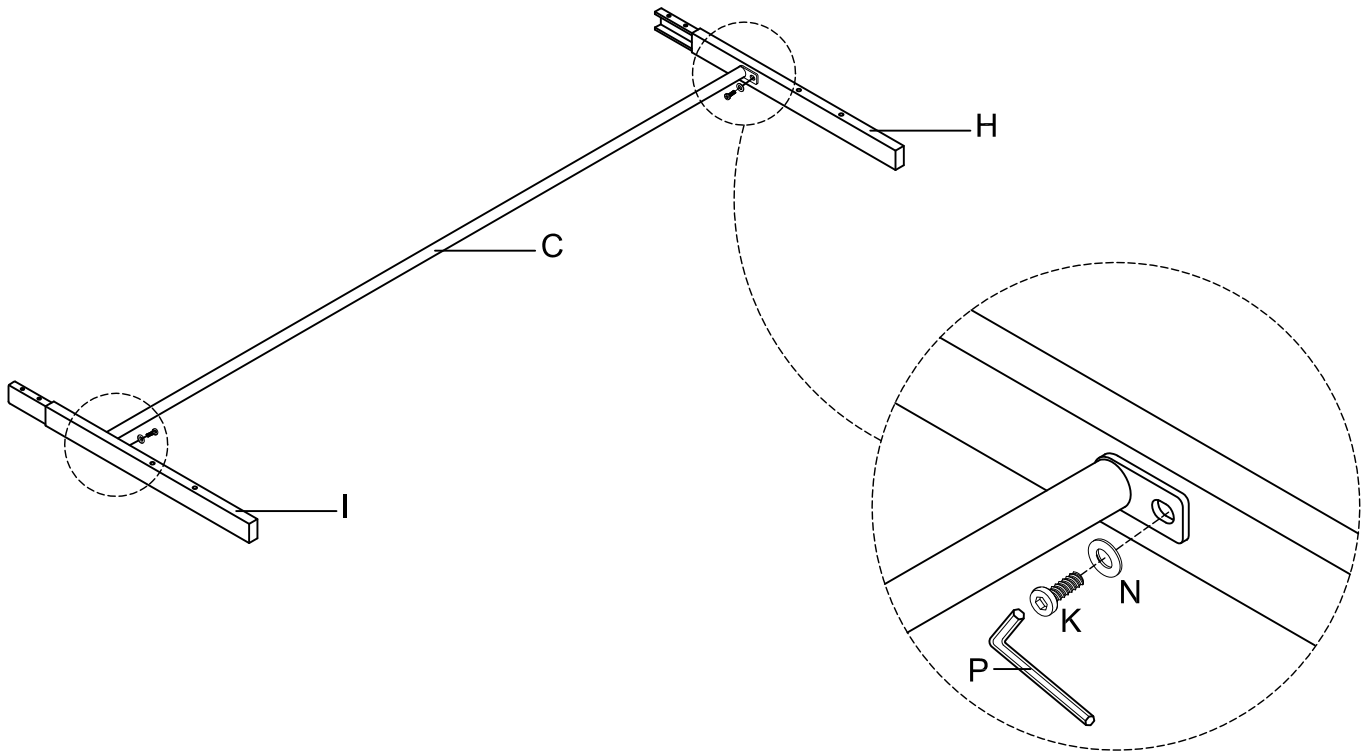
This page lists all the contents included in the box. Please take the time to identify the hardware as well as the individual components to this product. As you unpack and prepare for assembly, place the contents on a carpeted or padded area to protect them from damage.

Note:

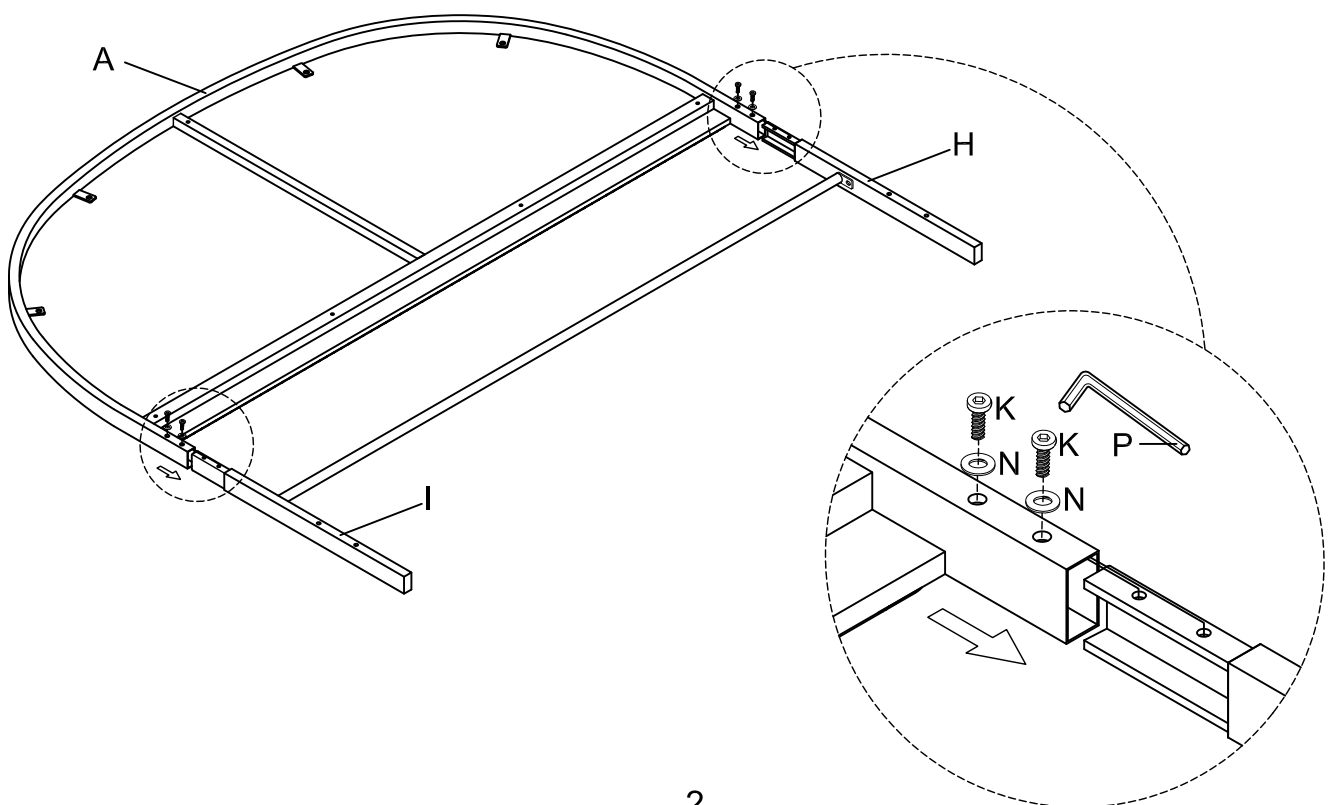
Do not fully tighten all bolts until the assembly is completed. This will help all parts to be assembled properly.

Two people are needed for assembly.

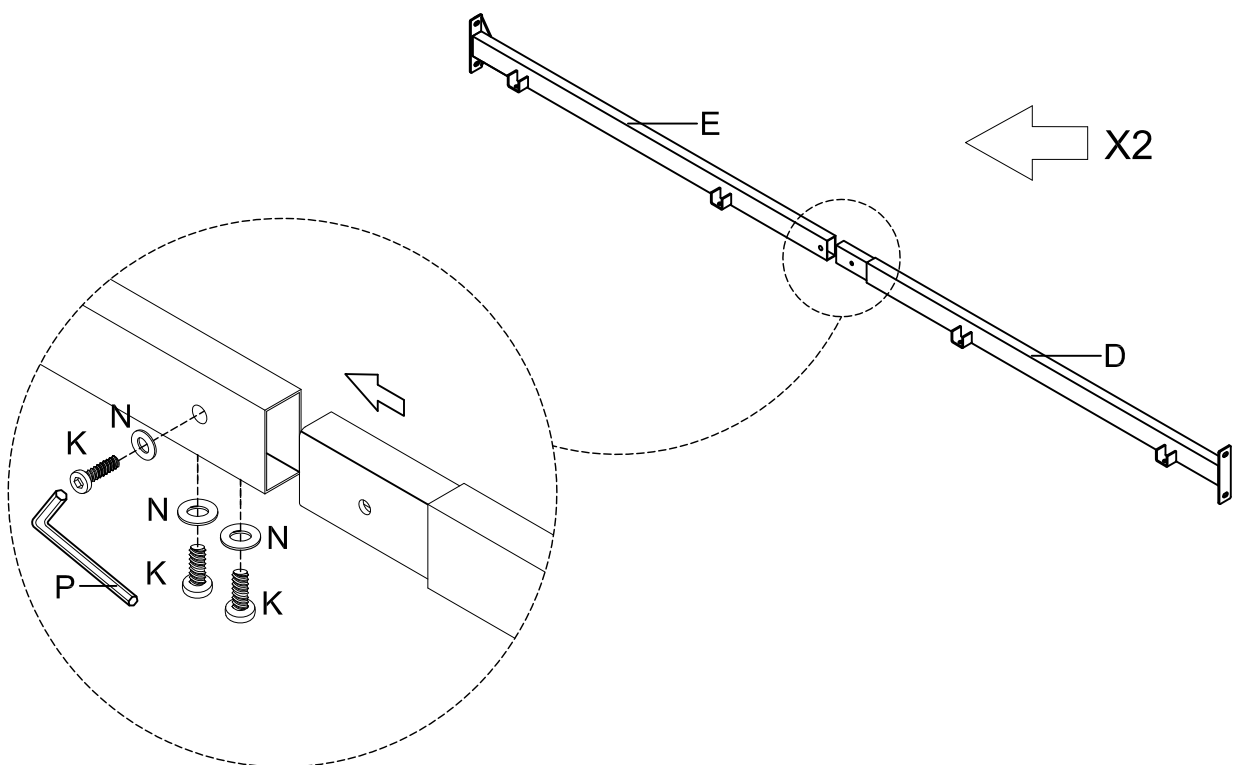
1 Attach the Bar (C) to the Extension Leg (H & I) using Bolt (K) and Flat Washer (N) with the Allen Key (P).



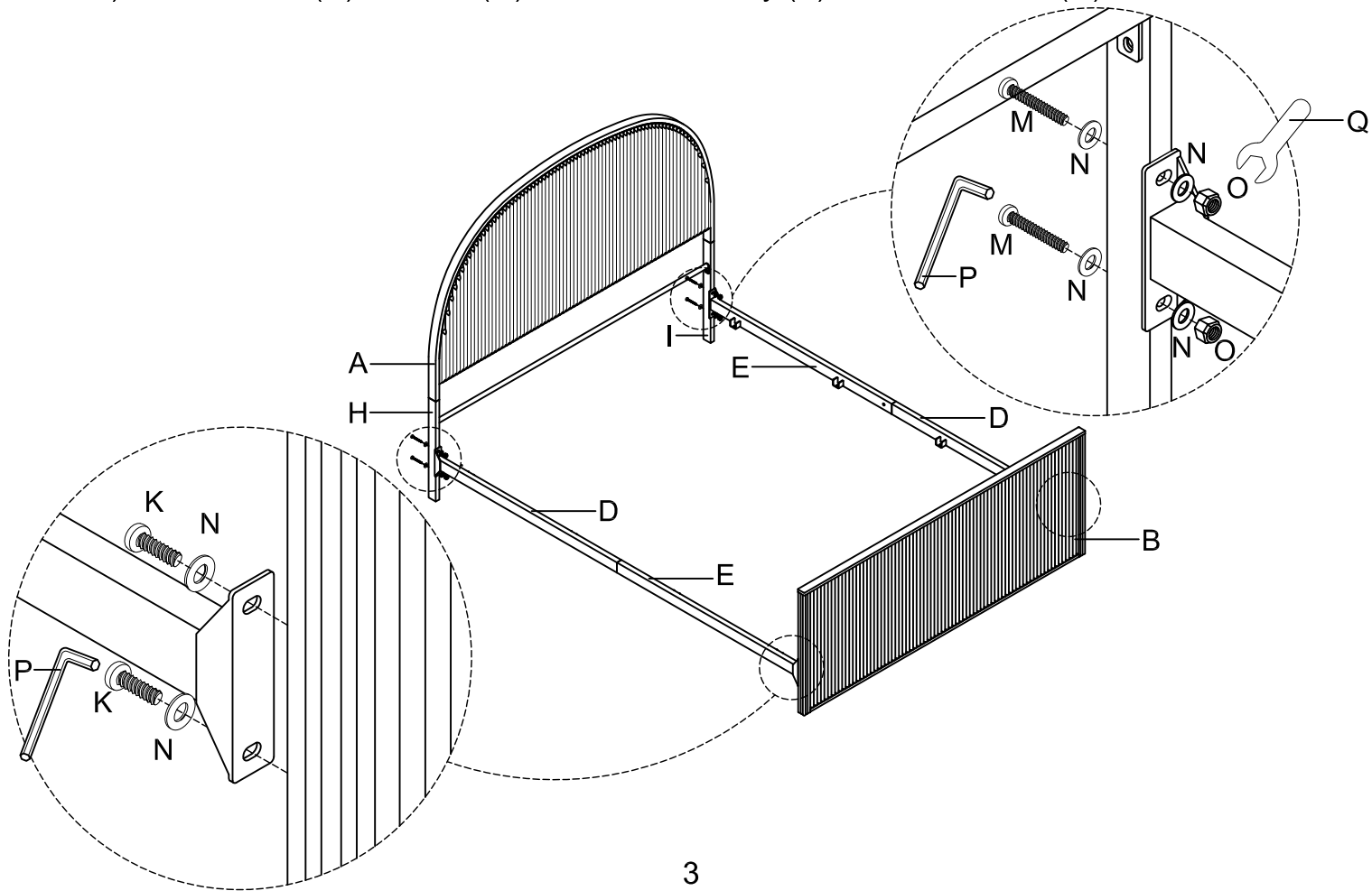
2 Attach the Headboard (A) to the Extension Leg (H & I) using Bolt (K) and Flat Washer (N) with the Allen Key (P).



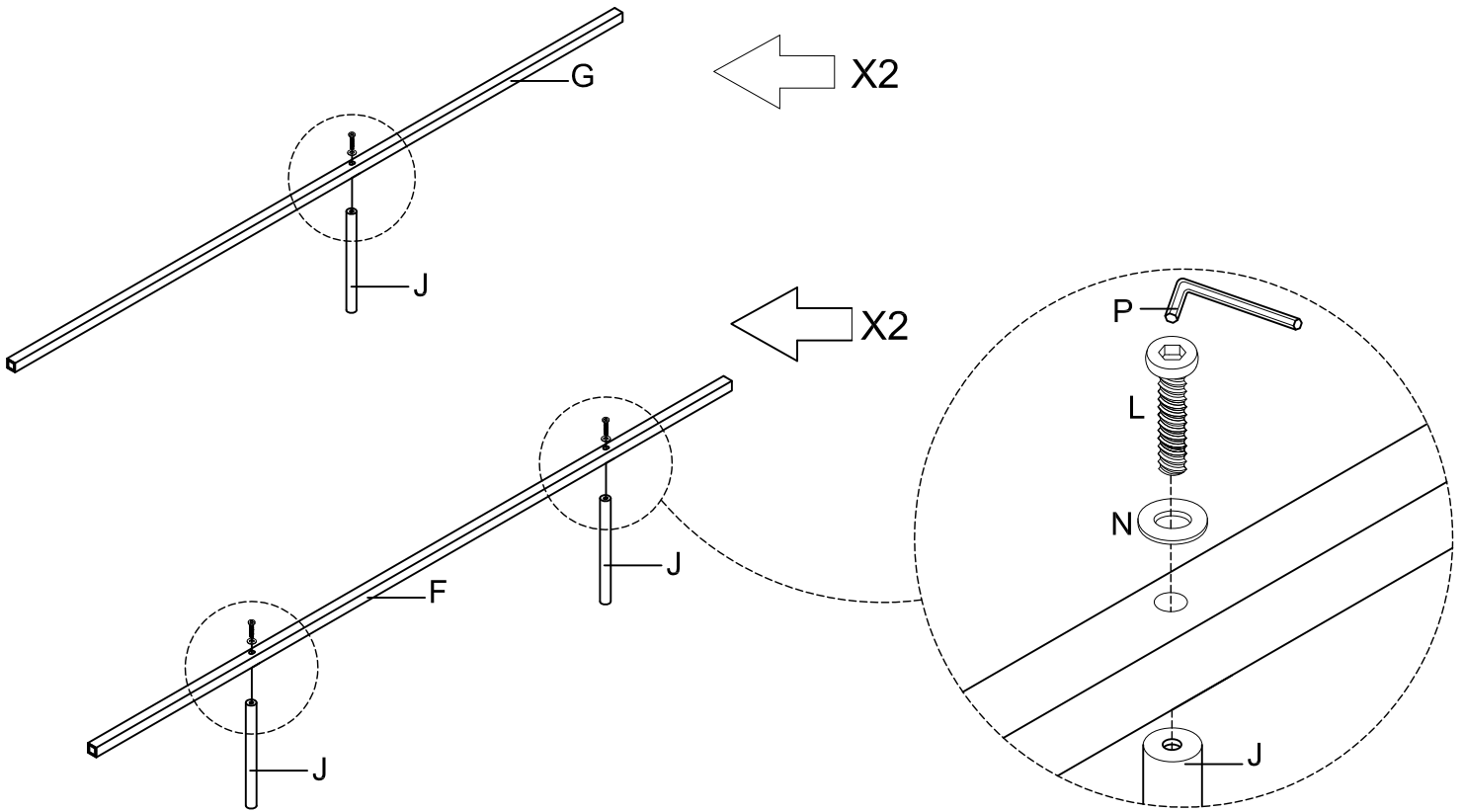
3 Attach the Side Rail - Rear (D) to the Side Rail - Front (E) using Bolt (K) and Flat Washer (N) with the Allen Key (P).



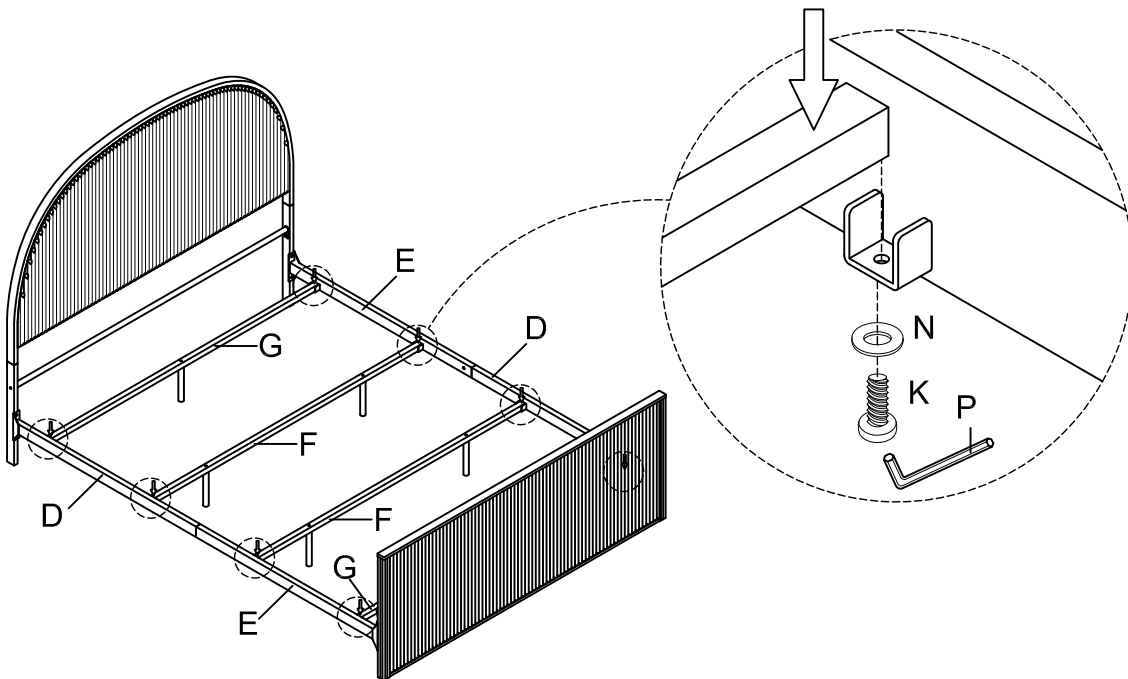
4 Attach the Side Rail (D & E) to the Extension Leg (H & I) and the Footboard (B) using Bolt (K & M), Flat Washer (N) and Nut (O) with the Allen Key (P) and the Wrench (Q).



5 Attach the Slat (F & G) to the Support Leg (J) using Bolt (L) and Flat Washer (N) with the Allen Key (P).



6 Attach the Slat (F & G) to the Side Rail (D & E) using Bolt (K) and Flat Washer (N) with the Allen Key (P).



Cleaning & Care

Treat surfaces with care. Surfaces are resistant to scratches but are not scratch resistant. Clean surfaces with a dry or damp soft cloth. Do not use abrasive cleaners. Hardware may loosen over time. Periodically check that all connections are tight.