

JUBA END TABLE ASSEMBLY INSTRUCTIONS

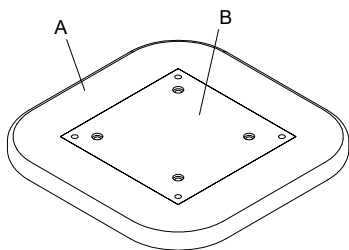


PARTS PACKING CONFIGURATIONS

BOX #1

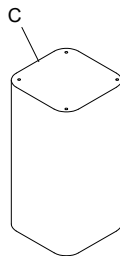
A. TABLE TOP 1 PC

B. CONNECTING PLATE 1 PC



BOX #2

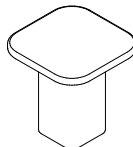
C. BASE 1 PC



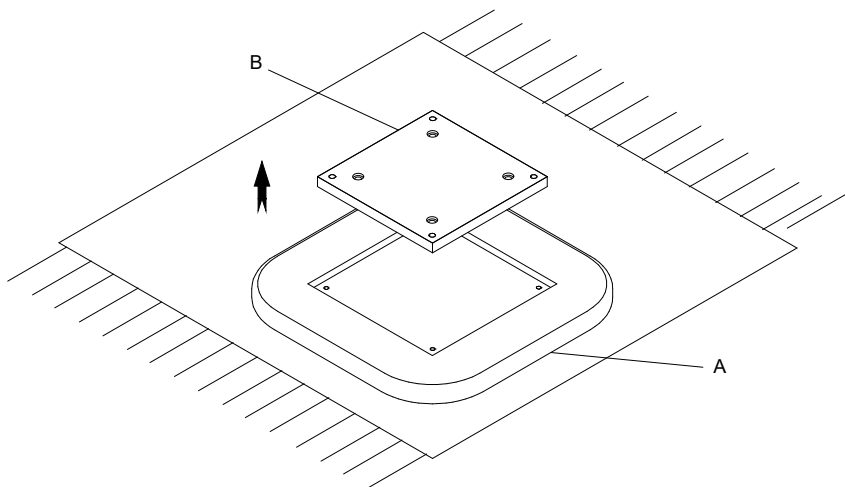
HARDWARE KIT PACKED IN BOX #2

NO.	DESCRIPTION	IMAGE	QTY
1	FLAT WASHER(5/16")		8 PCS
2	LOCK WASHER(5/16")		8 PCS
3	ALLEN BOLT(5/16"x3/4")		8 PCS
4	ALLEN KEY(5/16")		1PC

FULLY ASSEMBLED

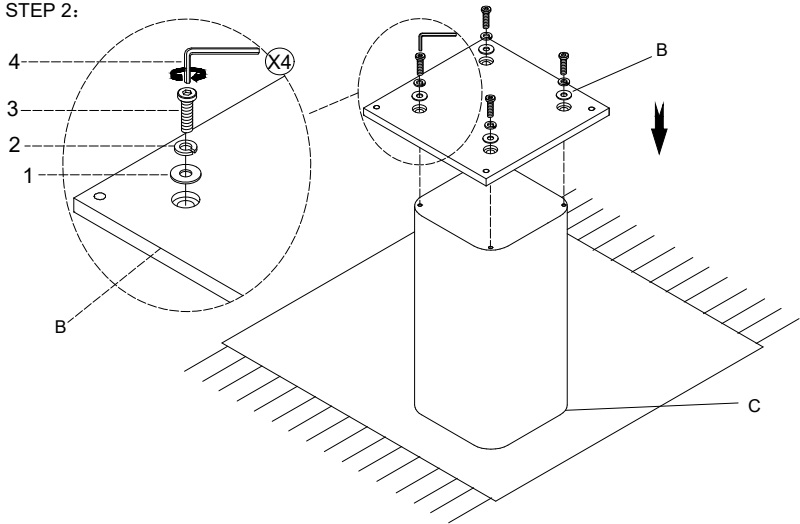


STEP 1:

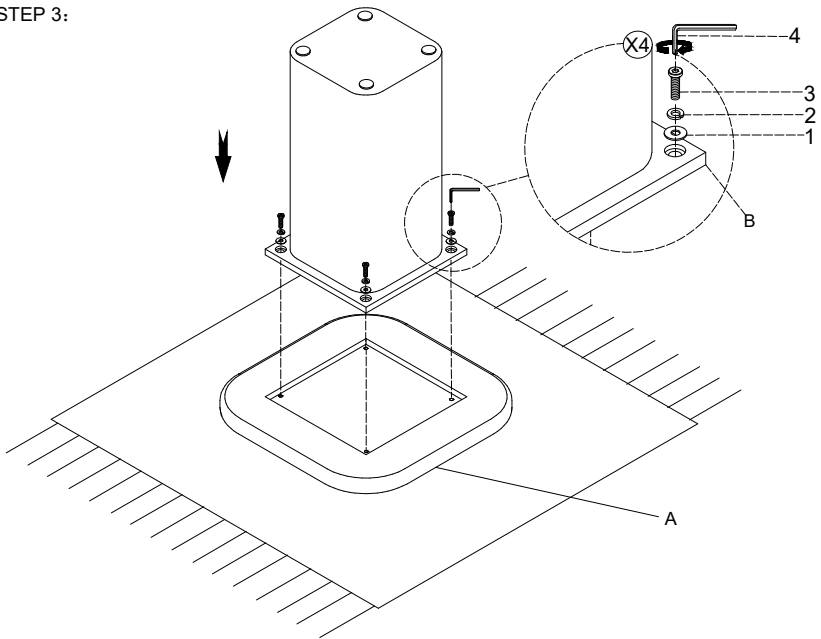


JUBA END TABLE ASSEMBLY INSTRUCTIONS

STEP 2:



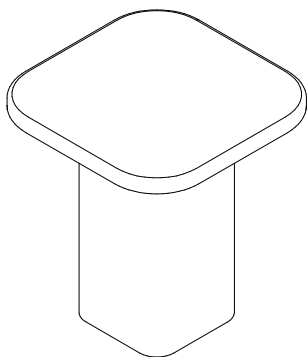
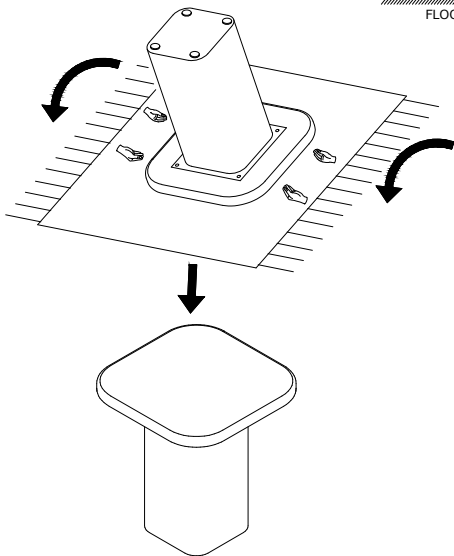
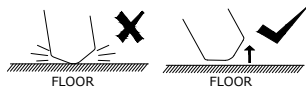
STEP 3:



JUBA END TABLE ASSEMBLY INSTRUCTIONS

MODUS
FURNITURE

STEP 4:



ASSEMBLY COMPLETE