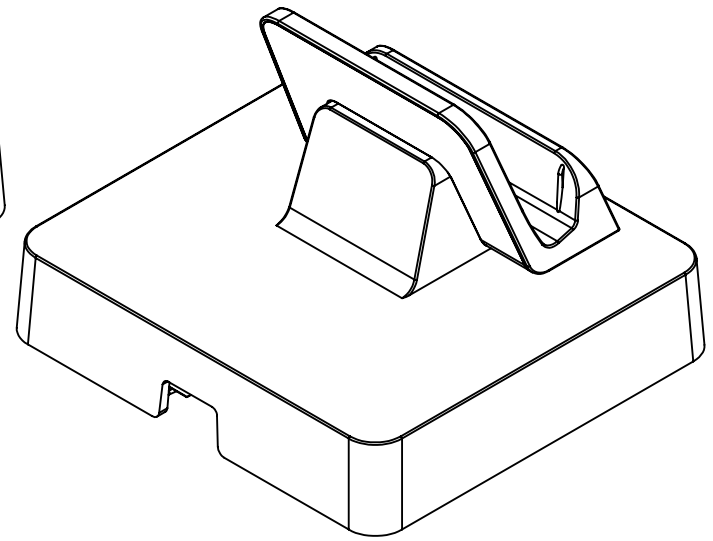
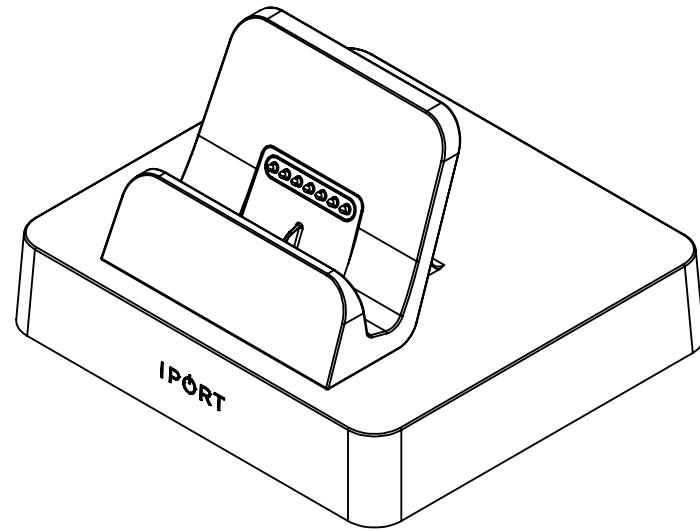
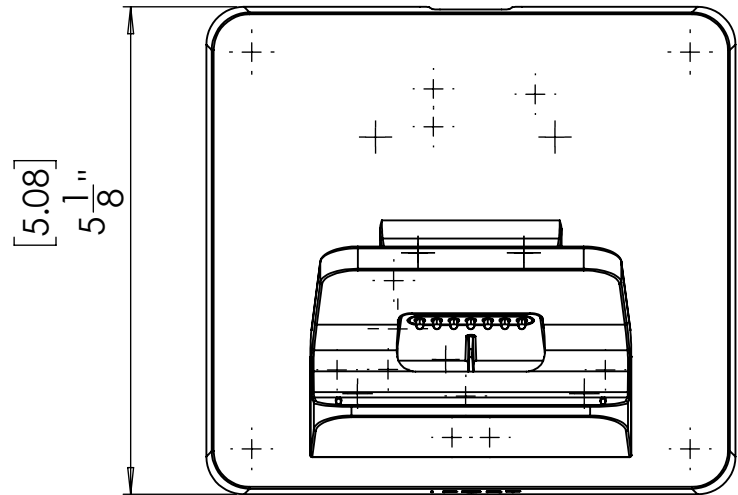


8 7 6 5 4 3 2 1

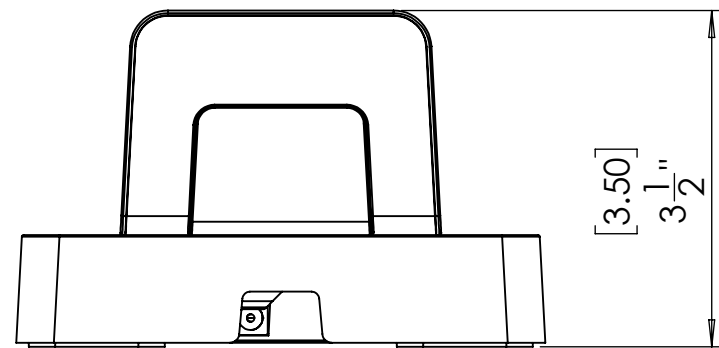
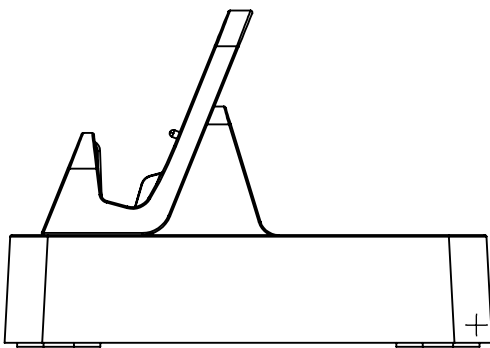
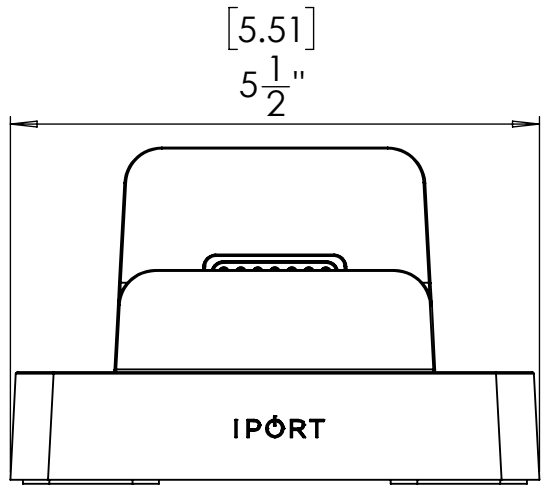
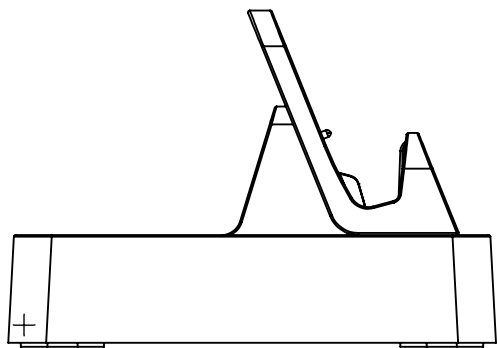
D

D



C

C

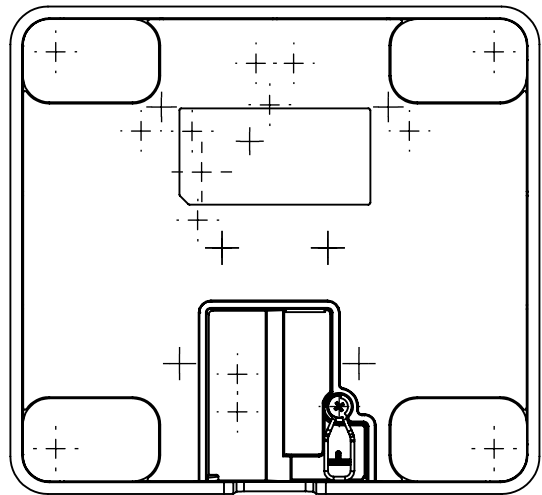


B

B

A

A



**PROPRIETARY AND CONFIDENTIAL**  
 THE INFORMATION CONTAINED IN THIS DRAWING IS THE SOLE PROPERTY OF DANA INNOVATIONS. ANY REPRODUCTION IN PART OR AS A WHOLE WITHOUT THE WRITTEN PERMISSION OF DANA INNOVATIONS IS PROHIBITED.

UNLESS OTHERWISE SPECIFIED: DIMENSIONS ARE IN INCHES [MM]	NAME	DATE
TOLERANCES: FRACTIONAL ±	DRAWN	
ANGULAR ±	CHECKED	
TWO PLACE DECIMAL ±	ENG. APP. Alex Bertagni	26 Mar 20
THREE PLACE DECIMAL ±	MFG. APP. Alex Bertagni	26 Mar 20
INTERPRET GEOMETRIC TOLERANCING PER:	Q.A. APP.	
MATERIAL:	COMMENTS:	
FINISH:		
DO NOT SCALE DRAWING	RELEASED ON:	

		<b>DANA INNOVATIONS</b>	
<b>TITLE:</b> <b>72307 CONNECT SINGLEDOCK BLK</b>			
SIZE	DWG. NO.	REV	
<b>B</b>		<b>A</b>	
SCALE: 1:2	WT:	SHEET 1 OF 1	

8 7 6 5 4 3 2 1