

Emica 6434 AcrylX Freestanding Bathtub

Model number:

106840

Dimensions: 64" x 34" x 23"

Installation: Freestanding

Material: AcrylX™ Applied Acrylic



Standard Features:

- 2-piece bathtub - transports and installs easily
- Linear waste and overflow included and factory installed
- Faucet installation can be deck-mounted or floor-mounted
- Maximized bathing well with comfortable backrest
- Perfect for small footprint bathrooms
- Above-the-Floor Rough (AFR) and F2 Drain compatible

Product characteristics:

- Made in North America
- Maximize Bathroom Space
- F2 Drain Compatible

Warranty:

Lifetime limited

Standard Colors:



White (002)

Certifications



one or more of the following certifications:

Emica 6434 AcrylX Freestanding Bathtub

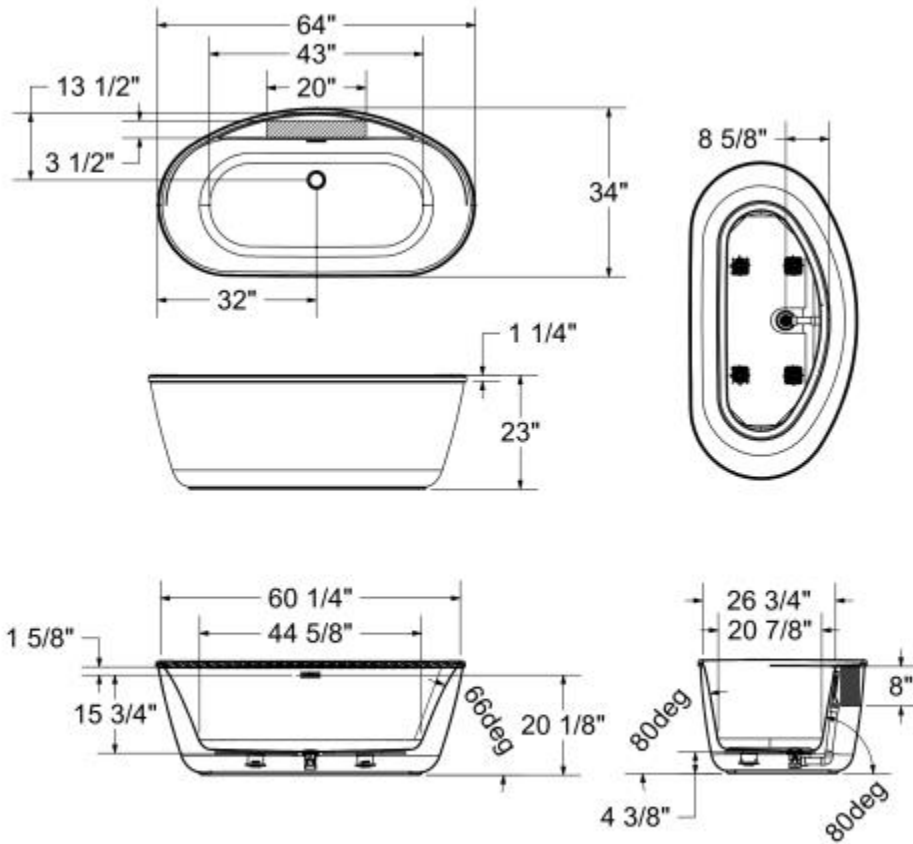
Model number:

106840

Dimensions: 64" x 34" x 23"

Installation: Freestanding

Material: AcrylX™ Applied Acrylic



() Recommended faucet area 1 section of 20" (L) x 3 1/2" (W).
Depth recommended for straight pipes 8".

All dimensions are approximate. Structure measurements must be verified against the unit to ensure proper fit.

Dimensions

64 x 34 x 23 In.
(1626 x 864 x 584 mm)

Water Capacity

68 gallons - 258 liters

Weight

115 lbs - 52 kg

Bathing Well

62 1/2 In. x 27 In.
(1588 mm x 686 mm)

Deep Sump Height

18.375 In. - 467 mm

Deck Width

0 In. - 0 mm

Drain location:

Center

Project:

Contractor:

Representative:

Date:

Tel:

Notes: