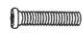









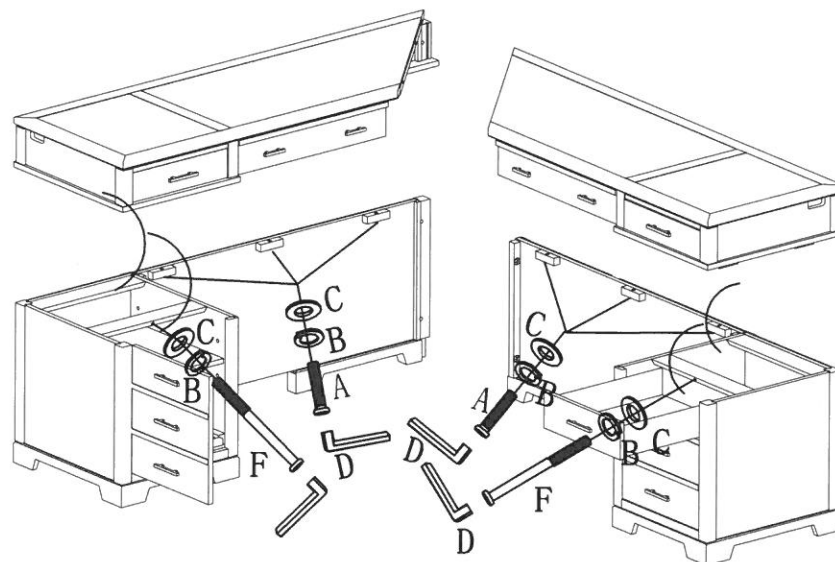
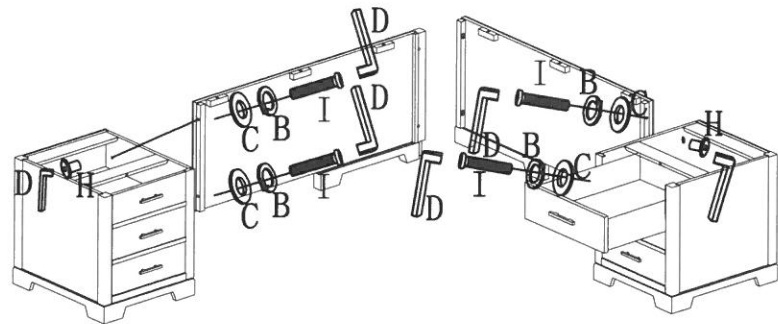
HEKMAN

ASSEMBLY INSTRUCTIONS

79187 - L Desk

Ⓢ A HOWARD MILLER COMPANY

A		5/16" * 35mm	11Pcs
B		5/16	19Pcs
C		5/16*19	19Pcs
D		4mm*80mm	2Pcs
F		5/16 * 4"	2Pcs
G		Key	2Pcs
H			6Pcs
I		5/16*32mm	4Pcs
K		5/16*70mm	2Pcs



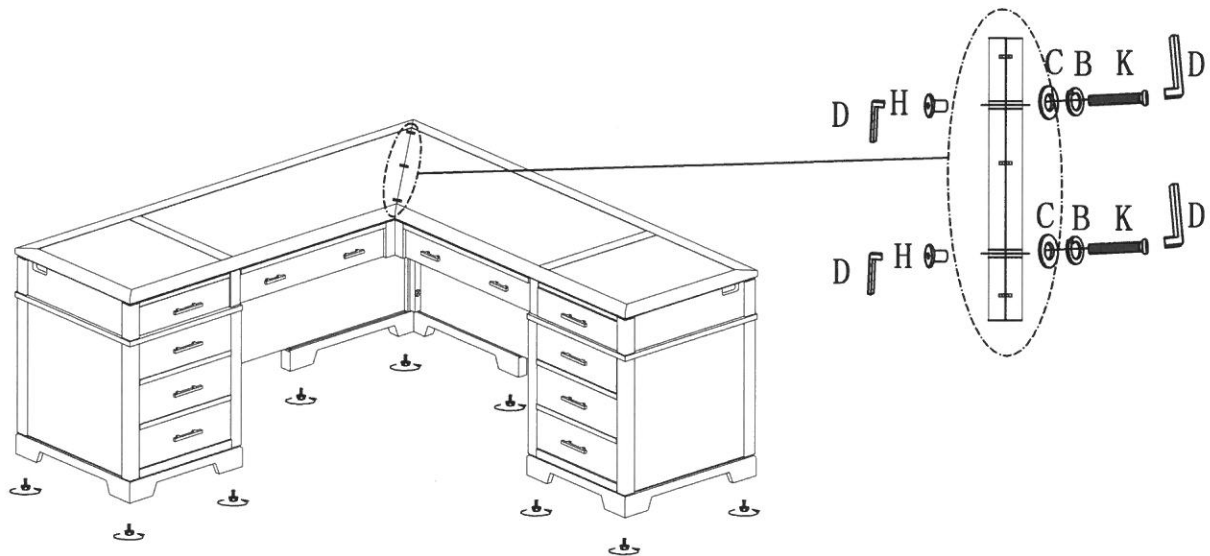
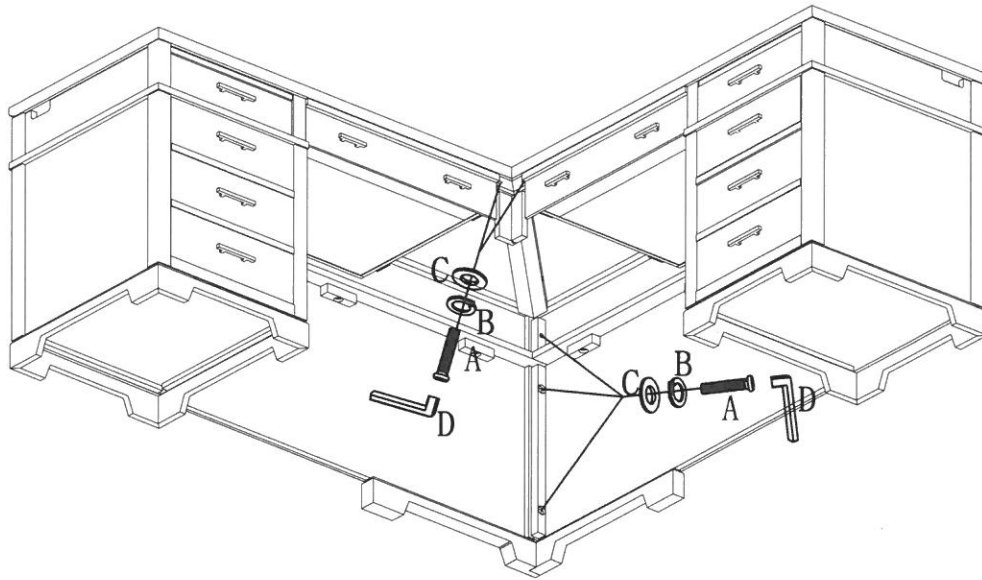
1. Assemble left pedestal & left modesty panel with Flat Washer (C) Lock Washer (B), Bolt (A) using Wrench (D).
2. Assemble right pedestal & right modesty panel with Flat Washer (C), Lock Washer (B), Bolt (A) using Wrench (D).
3. Place the left top assembly on the left pedestal and modesty panel assembly. The top assembly is set a little forward on the pedestal then pushed back to lock the french cleats.
4. Open door on the left pedestal assembly to secure the left top assembly to the left pedestal with bolt (F), lock washer (B), and flat washer (C), using wrench (D).
5. Place the right top assembly on the right pedestal and modesty panel assembly. The top assembly is set a little forward on the pedestal then pushed back to lock the french cleats.
6. Open top drawer on the right pedestal assembly to secure the right top assembly to the right pedestal with bolt (F), lock washer (B), and flat washer (C), using wrench (D).

HEKMAN

ASSEMBLY INSTRUCTIONS

79187 - L Desk

 A HOWARD MILLER COMPANY



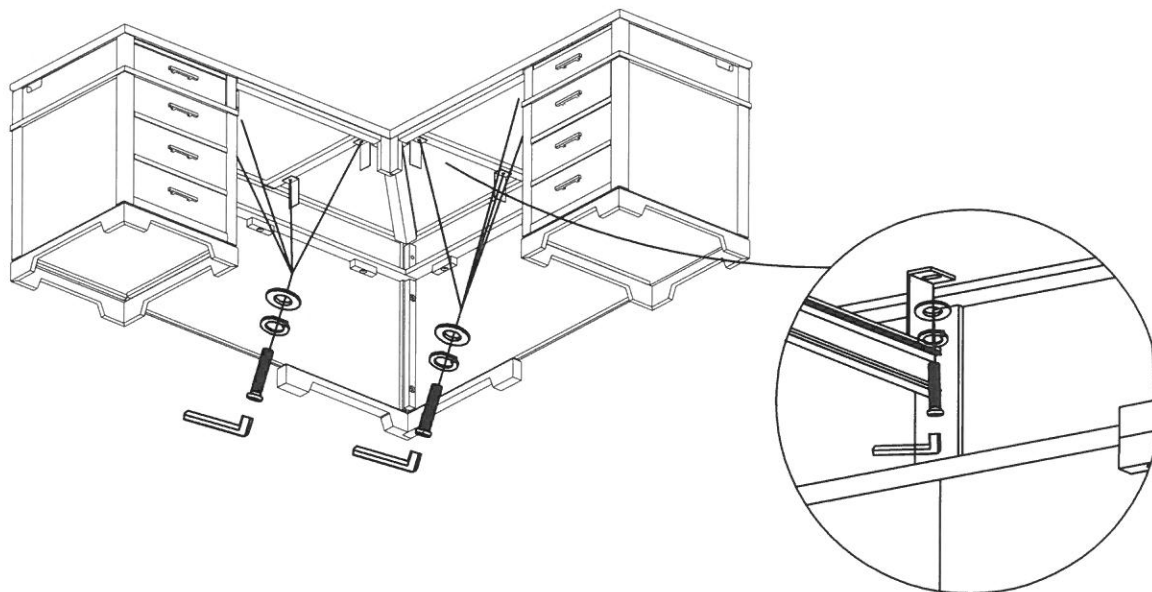
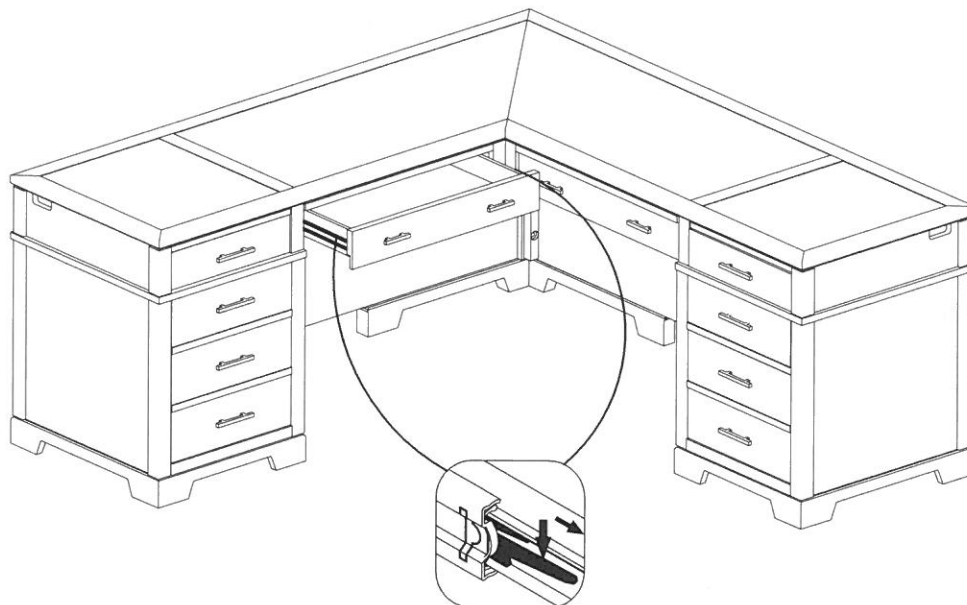
7. Attach left modesty panel to left top assembly and right modesty panel to right top assembly with bolt (A), Lock Washer (B), and Flat Washer (C) using wrench (D).
8. Place the left and right assemblies in their intended final location. The desk cannot be moved after the left and right assemblies are connected.
9. Lock the top panel locks underneath the two top assembly.
10. Assemble the right and left modesty panels from under the desk with bolt (A), lock washer (B), and flat washer (C).
11. Attach the wood cleat between the drop front drawers.

HEKMAN

ASSEMBLY INSTRUCTIONS

79187 - L Desk

 A HOWARD MILLER COMPANY



12. Drop front drawers are removable. Open drawer fully to expose the release levers in the center of the drawer slide. push the lever on the left side up, and the lever on the right side down to release drawer. With levers pushed gently tug the drawer out of the desk.

13. The drawer slides attached to the desk can be removed with wrench (D) removing bolts (F).