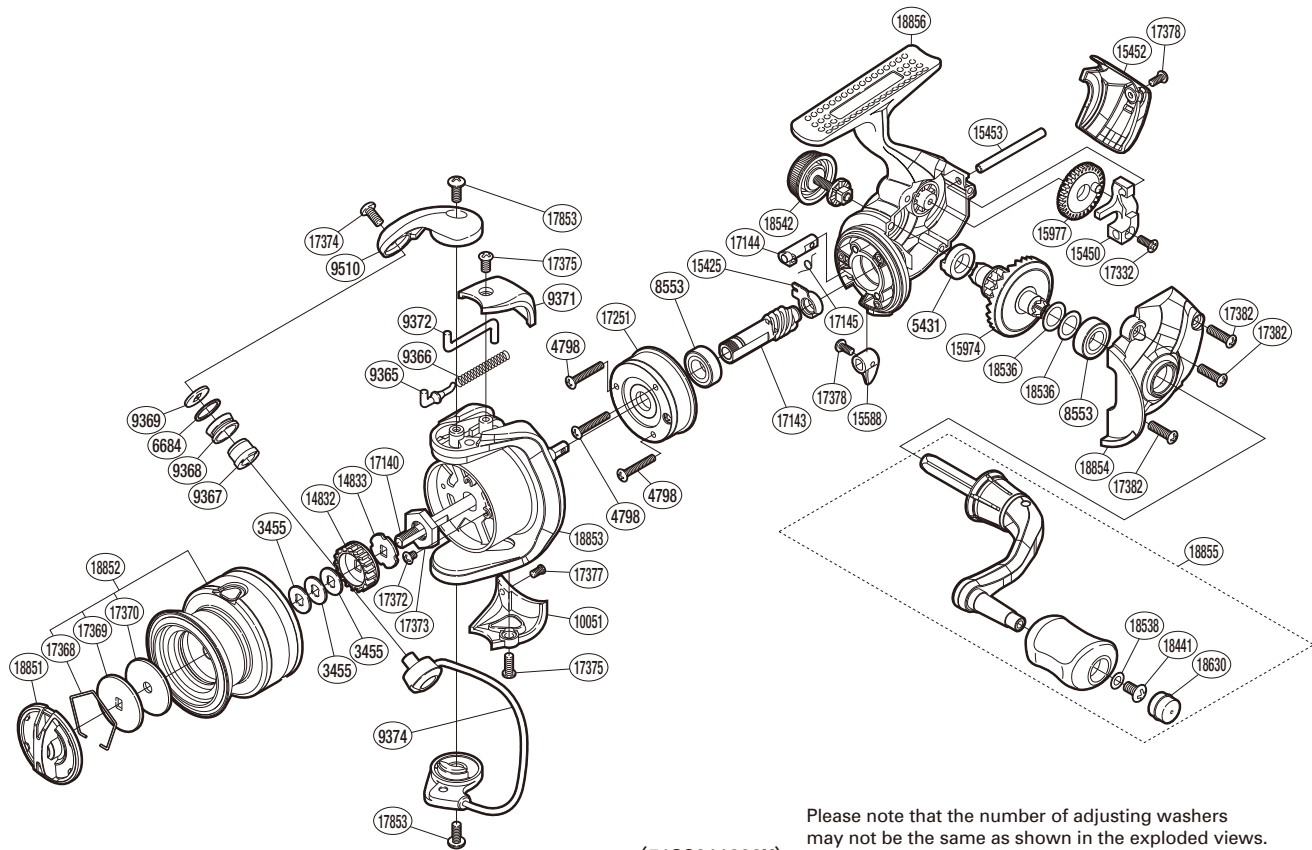


SHIMANO

CATANA

CAT1000FD



Please note that the number of adjusting washers may not be the same as shown in the exploded views. (Adjustment will vary with each individual product.)
(51SG811003X)

Part No.	Description	Part No.	Description	Part No.	Description
RD 3455	Spool Washer	RD15450	Oscillating Slider	RD17375	Screw
RD 4798	Screw	RD15452	Rear Protector	RD17377	Screw
RD 5431	Drive Gear Bushing	RD15453	Oscillating Guide	RD17378	Screw
RD 6684	Line Roller Spacer	RD15588	Anti-Reverse Lever	RD17382	Screw
RD 8553	Ball Bearing	RD15974	Drive Gear	RD17853	Screw
RD 9365	Bail Spring Guide	RD15977	Oscillating Gear	RD18441	Screw
RD 9366	Bail Spring	RD17140	Main Shaft	RD18536	Washer
RD 9367	Line Roller Bushing	RD17143	Pinion Gear	RD18538	Washer
RD 9368	Line Roller	RD17144	Anti-Reverse Cam	RD18542	Handle Screw Cap
RD 9369	Washer	RD17145	Anti-Reverse Cam Spring	RD18630	Handle Knob Seal
RD 9371	Bail Spring Cover	RD17251	Roller Clutch Assembly	RD18851	Drag Knob
RD 9372	Bail Trip Lever	RD17332	Screw	RD18852	Spool Assembly
RD 9374	Bail Assembly	RD17368	Drag Washers Retainer	RD18853	Rotor
RD 9510	Bail Arm	RD17369	Key Washer	RD18854	Side Cover
RD10051	Bail Hold Support Guard	RD17370	Drag Washer	RD18855	Handle Assembly
RD14832	Spool Support A	RD17372	Screw	RD18856	Body
RD14833	Spool Support B	RD17373	Rotor Nut		
RD15425	Pinion Gear Bushing	RD17374	Screw		