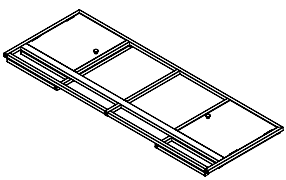
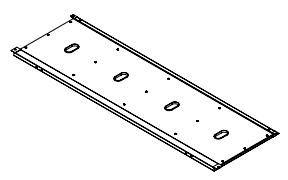
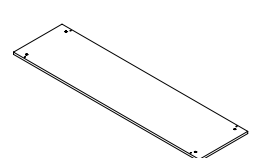
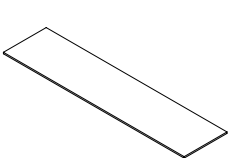
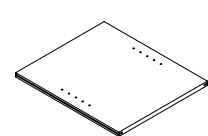
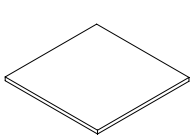
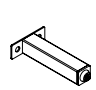
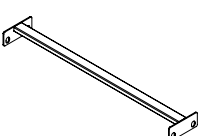

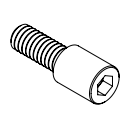
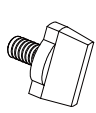
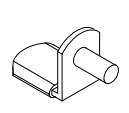
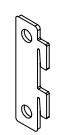
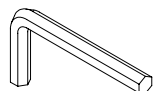
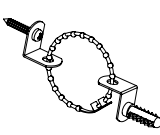
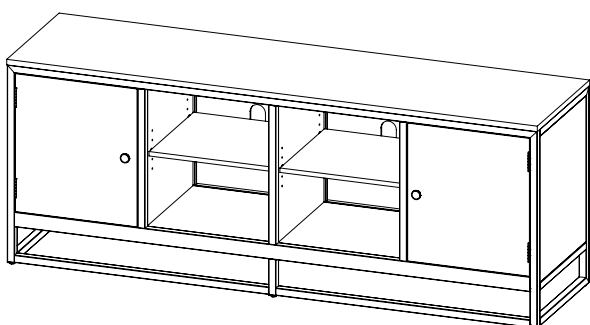


ASSEMBLY INSTRUCTION

70" TV STAND

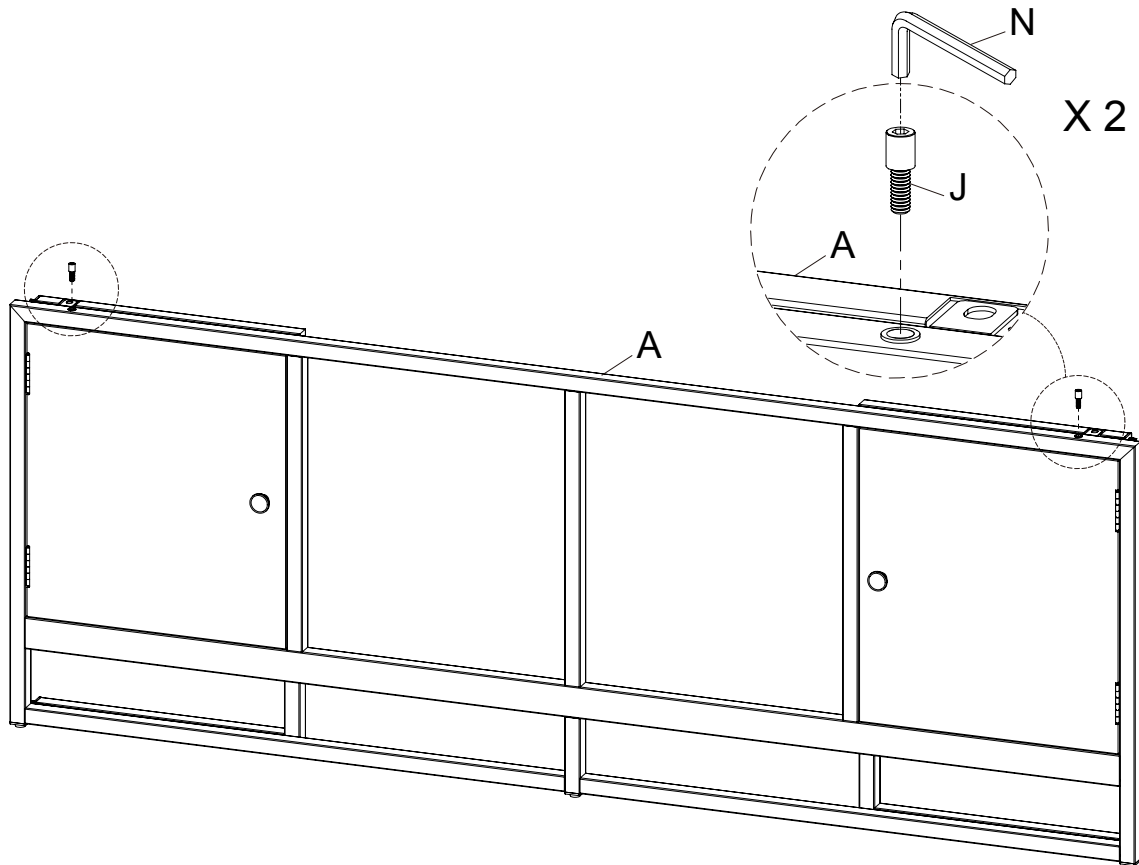
A Front Frame  1PC	B Back Frame  1PC	C Top Panel  1PC	D Bottom Panel  1PC
E Divider Panel  3PCS	F Shelf Panel  4PCS	G T-Shaped Leg  2PCS	H Cross Bar  5PCS
I Bolt 1/4"x1/2"  2PCS	J Bolt 1/4"x1/2"  4PCS	K Bolt 1/4"x1/2"  32PCS	L Shelf Pin  16PCS
M Metal Plate  12PCS	N Allen Wrench 4MM  1PC	O Anti-Tipping HW  2SETS	



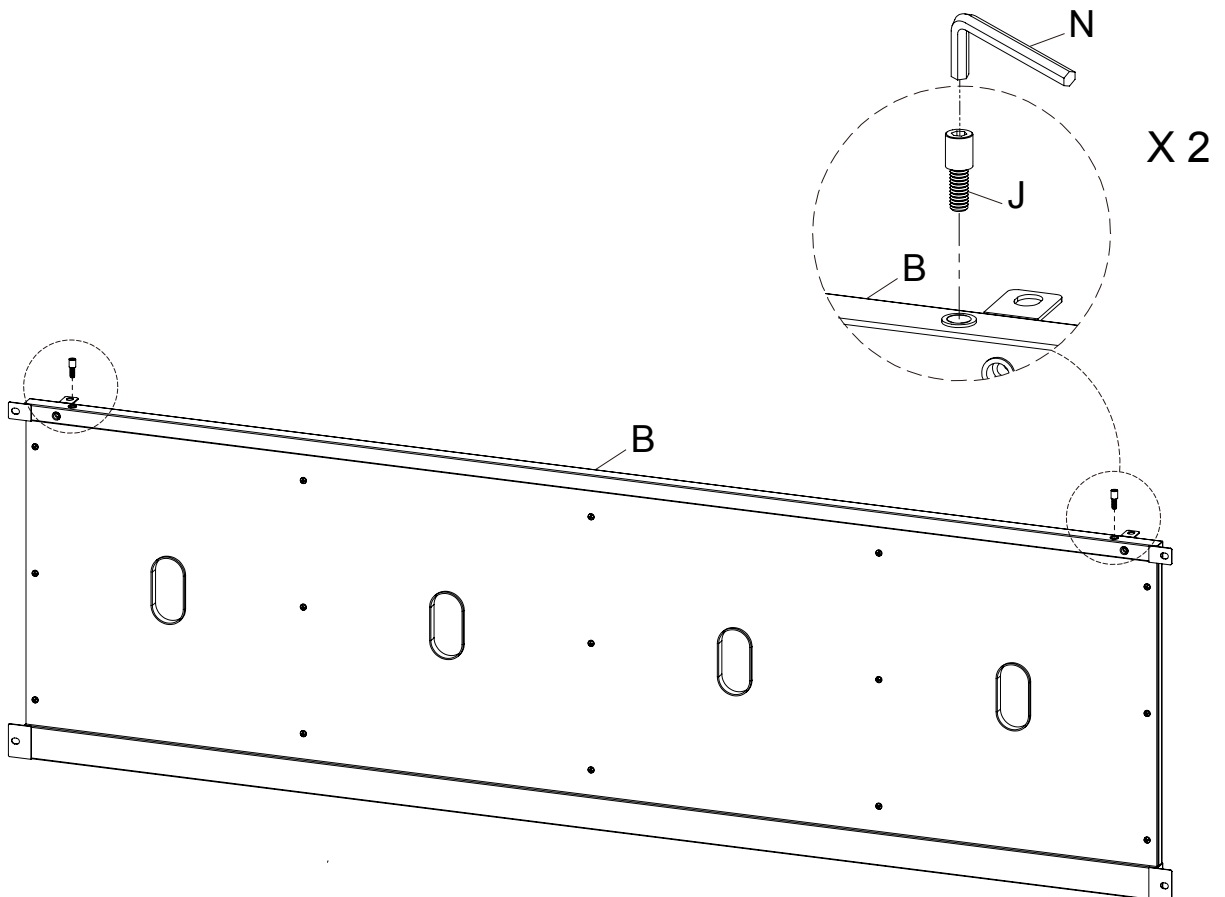
This page lists all the contents included in the box. Please take the time to identify the hardware as well as the individual components to this product. As you unpack and prepare for assembly, place the contents on a carpeted or padded area to protect them from damage.

***Do not tighten screws & bolts until the entire unit is completely assembled.

1 Attach the Bolt (J) to the Front Frame (A) by Allen Wrench (N) as shown.

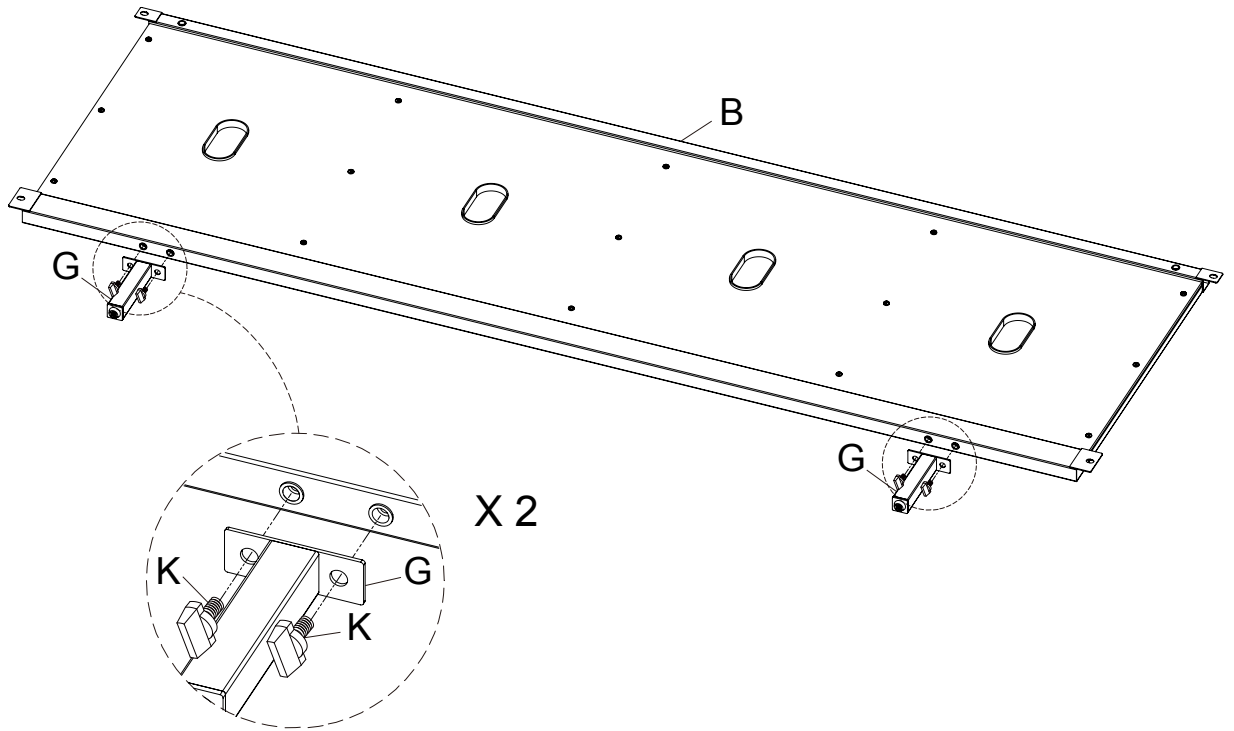


2 Attach the Bolt (J) to the Back Frame (B) by Allen Wrench (N) as shown.



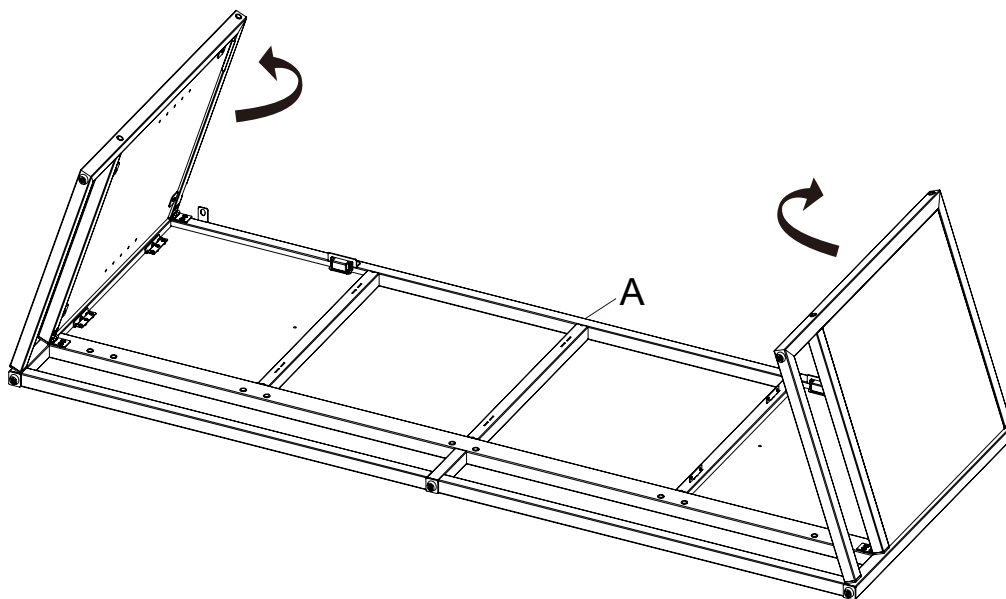
3

Attach the T-Shaped Leg (G) to the Back Frame (B) by using Bolt (K) as shown.



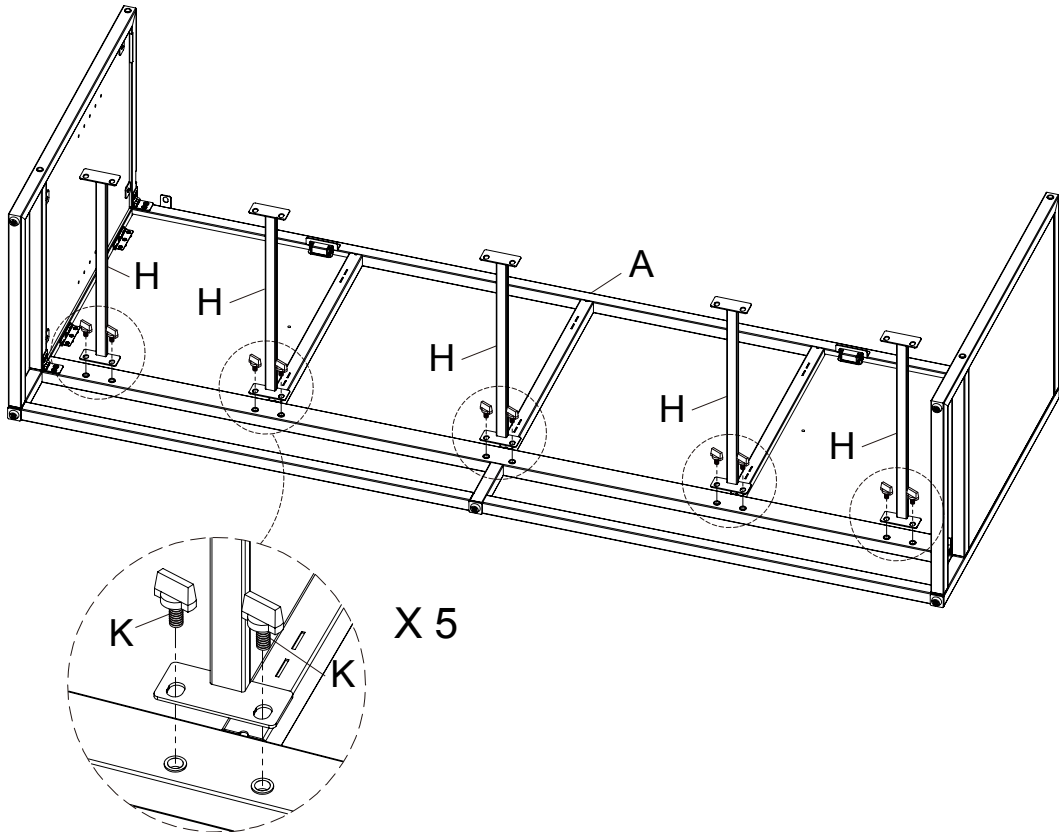
4

Unfold the Front Frame (A) as shown.



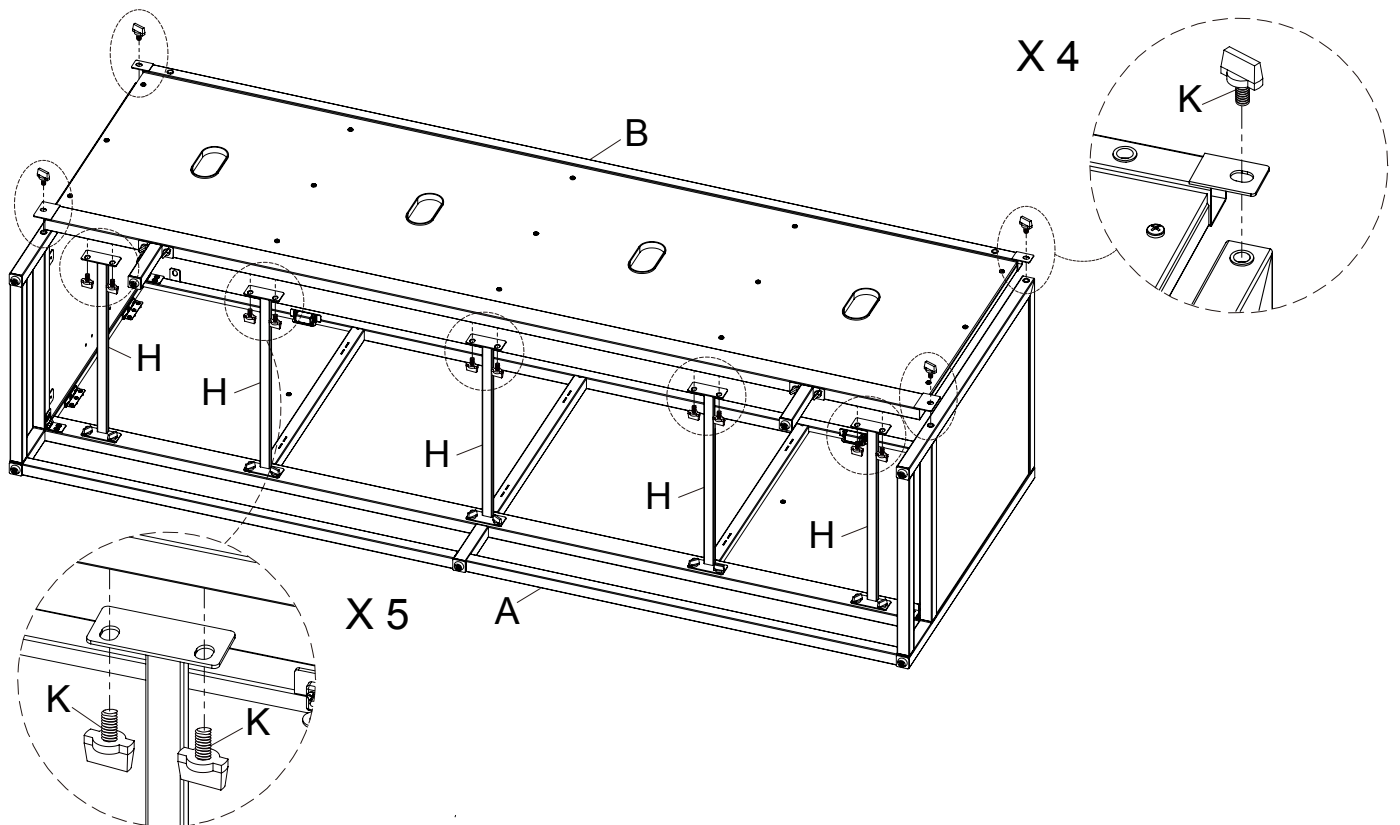
5

Attach the Cross Bar (H) to the Front Frame (A) by using Bolt (K) as shown.



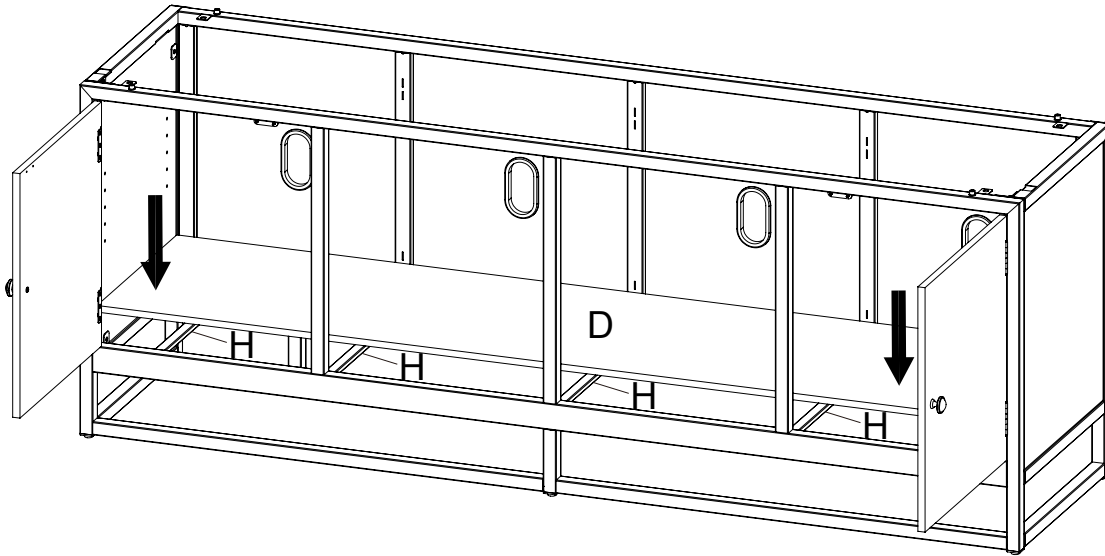
6

Attach the Back Frame (B) to the Front Frame (A) and Cross Bar (H) by using Bolt (K) as shown.



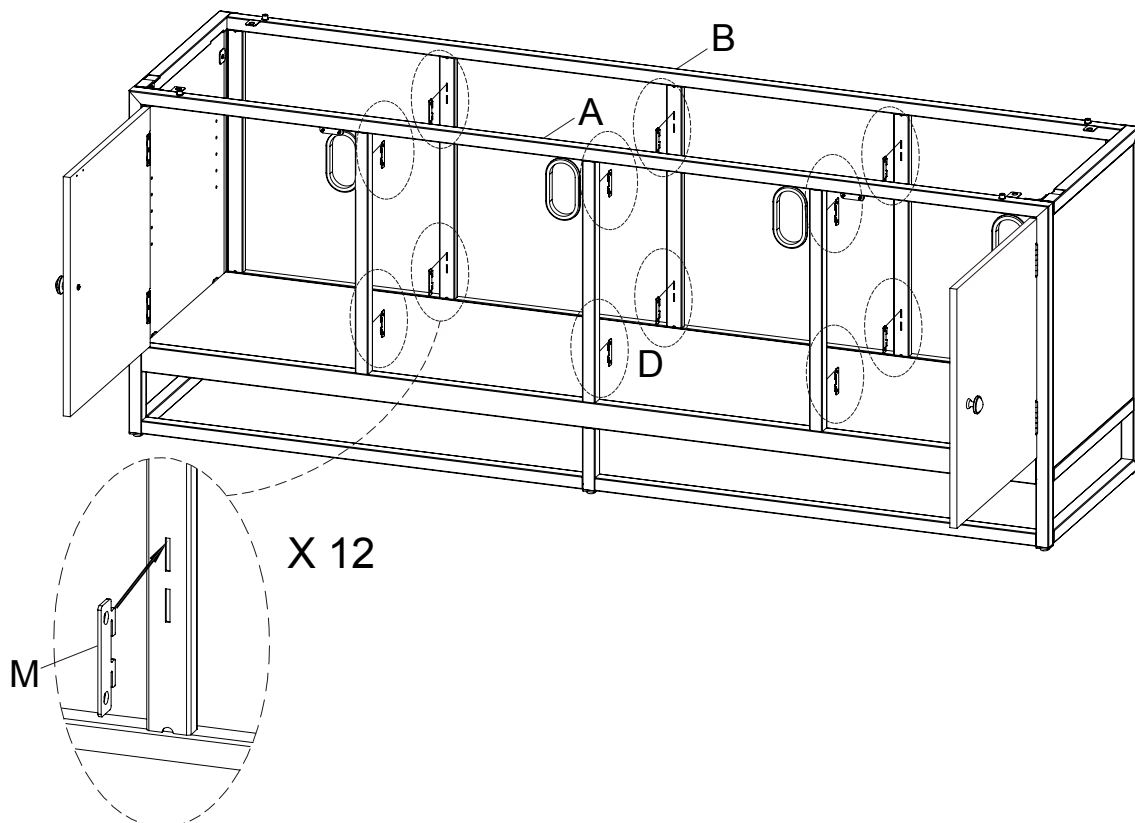
7

Place Bottom Panel (D) on Cross Bar (H) as shown.



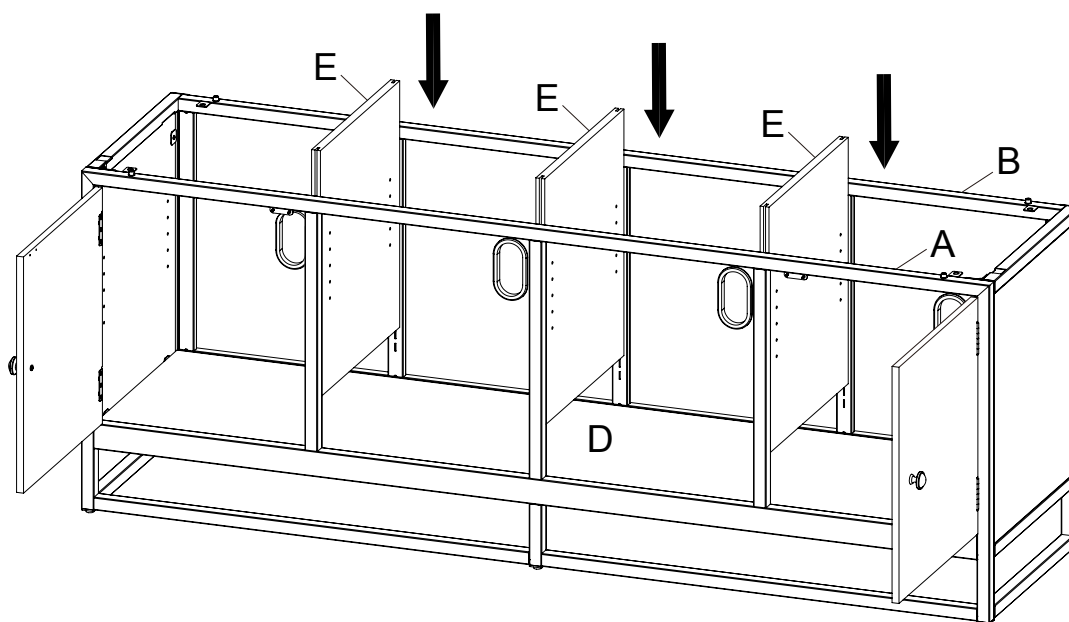
8

Insert Metal Plate (M) into the holes on the Front Frame (A) and Back Frame (B) as shown.



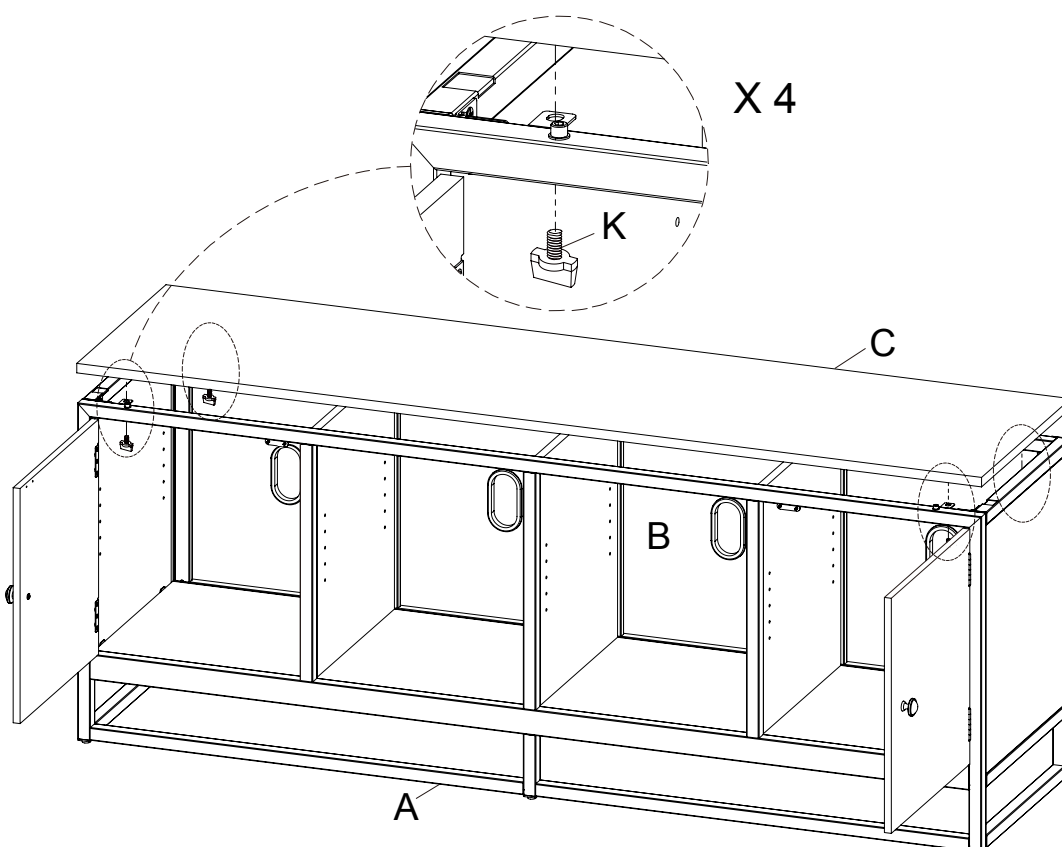
9

Slide the Divider Panel (E) through the Metal Plate (M). Make sure the dividers are facing correctly as shown.



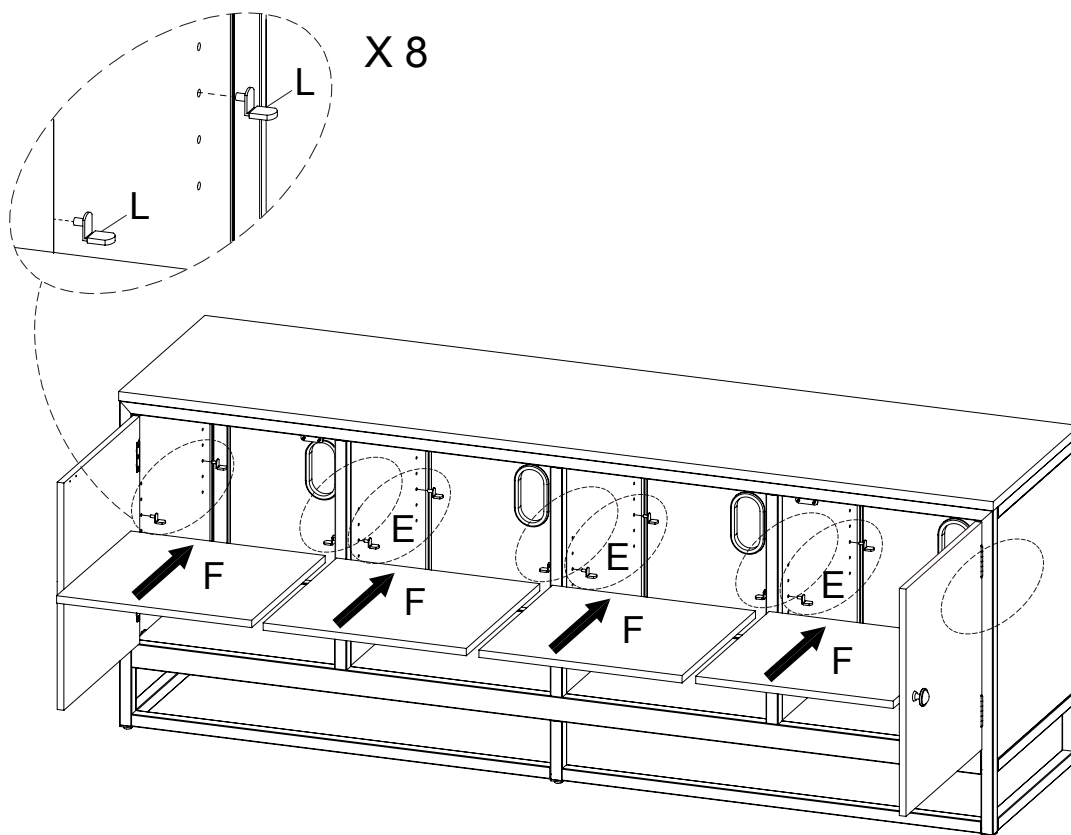
10

Attach Top Panel (C) to the Front Frame (A) and Back Frame (B) by using Bolt (K) as shown.



11

Insert Shelf Pin (L) to the holes of Divider Panel (E) and side panels. Then place Shelf Panel (F) onto the Shelf Pin (L) as shown.



12

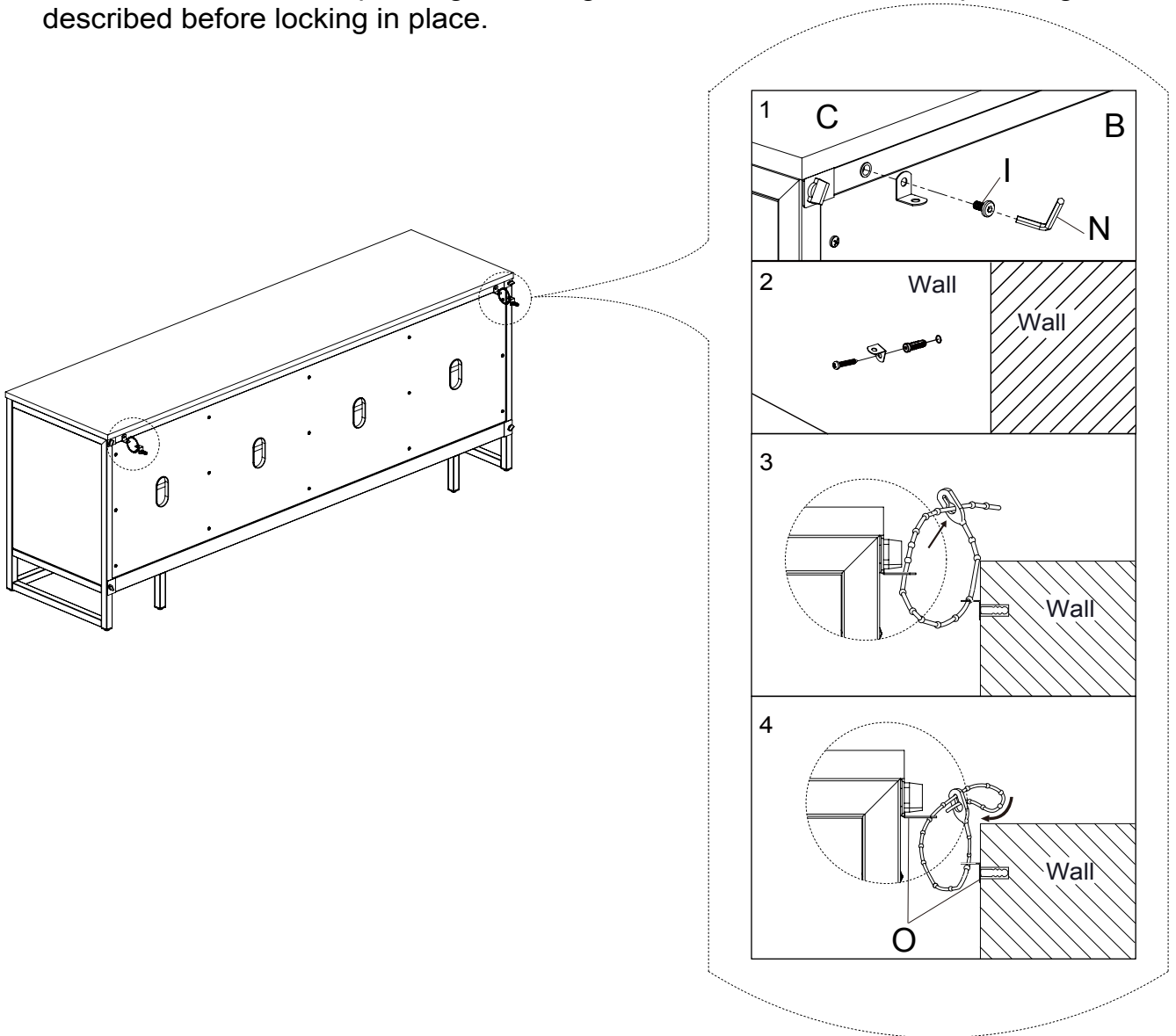
*NOTE: WE RECOMMEND THAT YOU ATTACH THE PRODUCT TO YOUR WALL AS A SAFETY PRECAUTION USING ANTI-TIPPING HW (O) AS BELOW INSTRUCTION.

Attach Mounting Plate to the Back Frame (B) by using Bolt (I), make sure the Mounting Plate extend DOWNWARD.

Drill 2 holes in your wall approximately 2" (Inches) BELOW the corresponding positions of Mounting Plate and insert Wall Anchor as shown.

*NOTE: You may need to tap LIGHTLY with a rubber mallet.

Now connect the corresponding Mounting Plate with Connection Strap and tighten as described before locking in place.



Cleaning & Care

Treat surface with care. Surface is resistant to scratches but is not scratch resistant. Clean surfaces with a dry or damp soft cloth. Do not use abrasive cleaners. Hardware may loosen over time. Periodically check that all connections are tight.