

I PORT CONNECT

PAYMENT PROCESSOR



72343 - CONNECT PHONE PayCase NYC1

I PORT CONNECT

PAYMENT PROCESSOR

I PORT CONNECT Pro Payment Processor Manual

Thank you for purchasing the all new IPORT CONNECT Platform. We hope you enjoy this revolutionary new system and if at any time you need more assistance please Contact IPORT Tech Support via Online chat or through our help desk online.

- IPORT Team

Whats in box:

- 1 - IPORT CONNECT NYC1 PayCase
- 1 - 3M adhesive strip
- 1 - Info Card

Glossary of Terms:

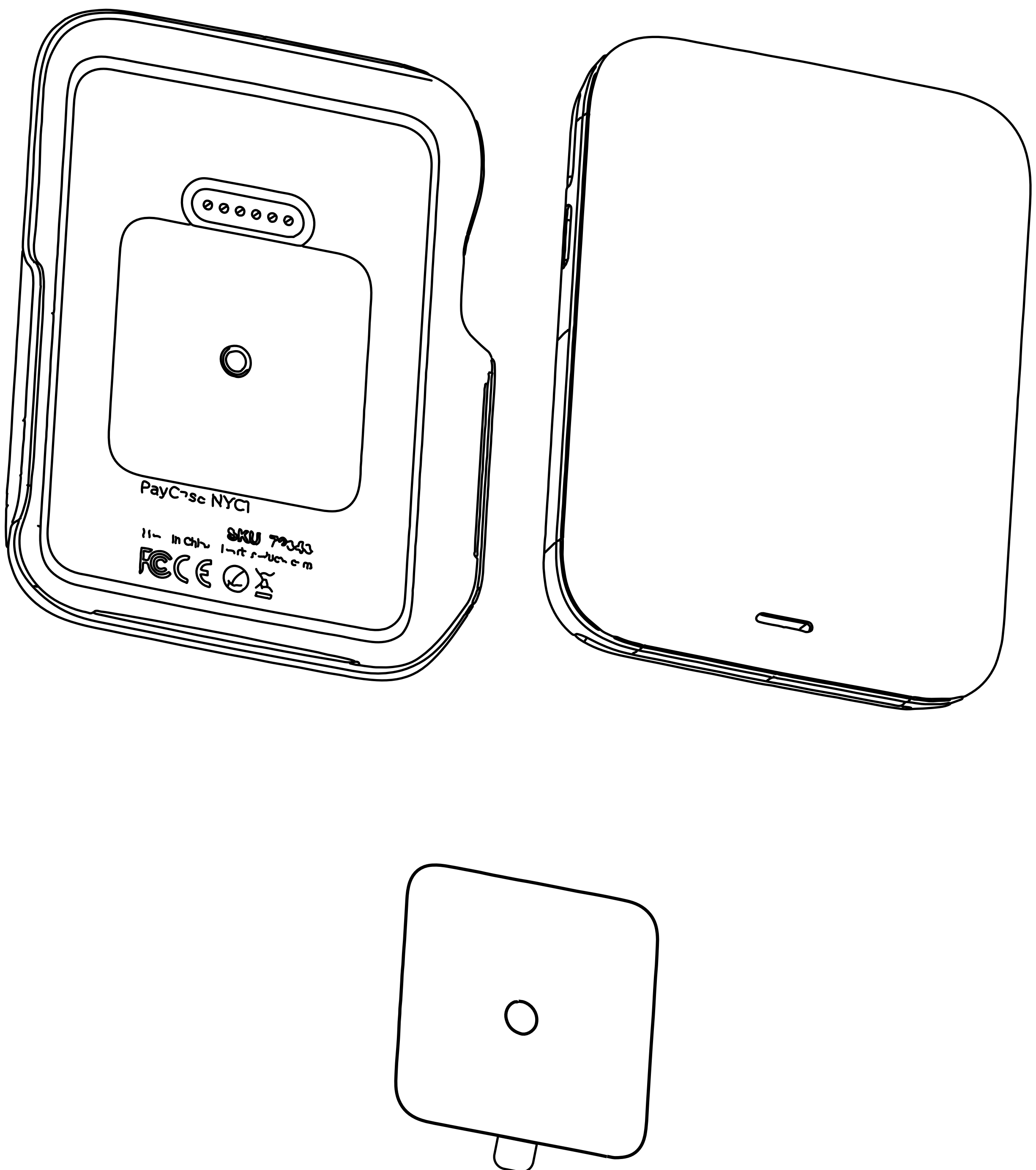
- **Payment Processor Dock** - The Finished stationary dock providing power and a mounting location for a Payment Processor Case
- **Payment Processor Case** - The removable housing providing charging and mounting for a Ayden NYC1 payment processor.

I PORT CONNECT

PAYMENT PROCESSOR

I PORT CONNECT Paycase NYC1

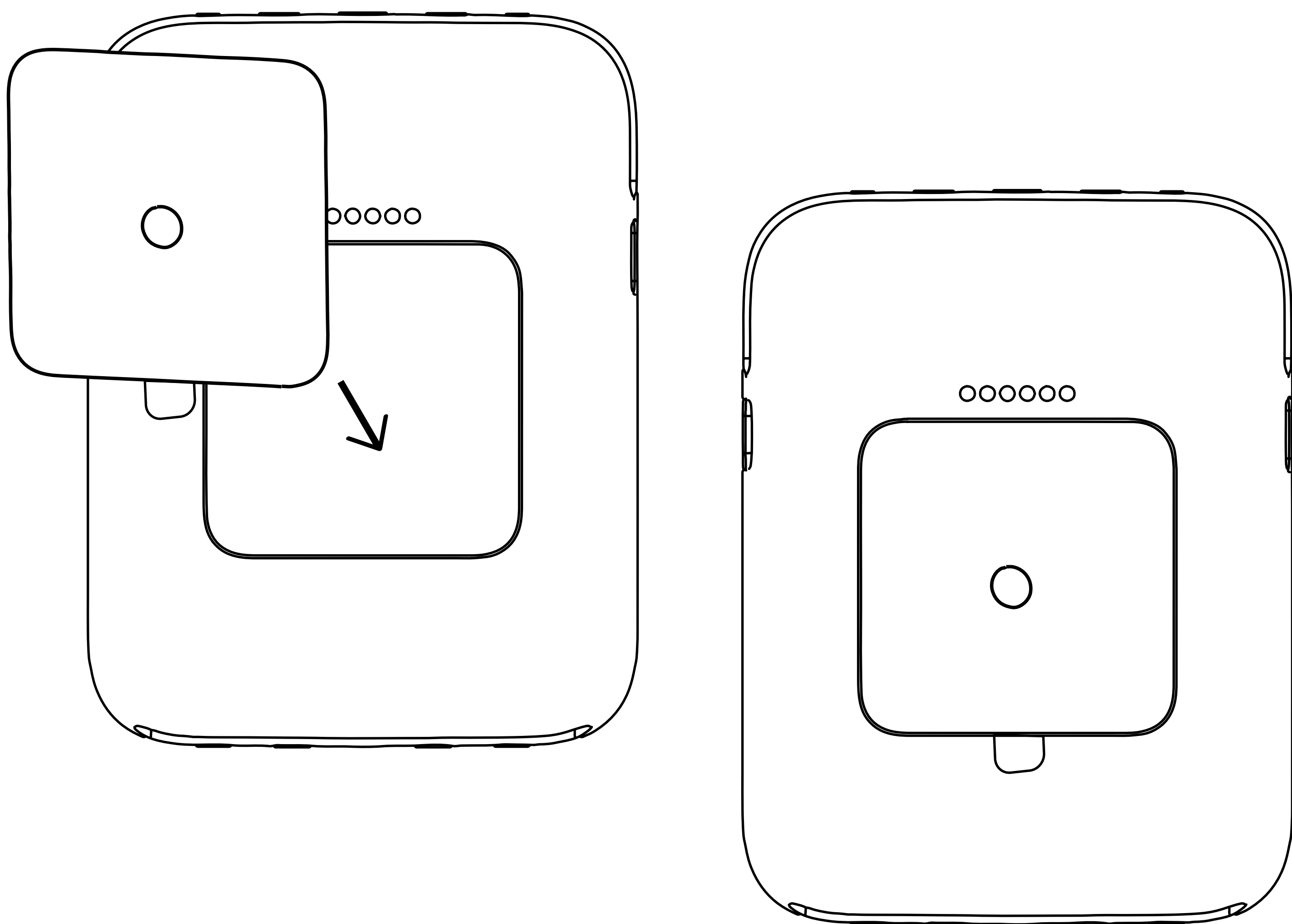
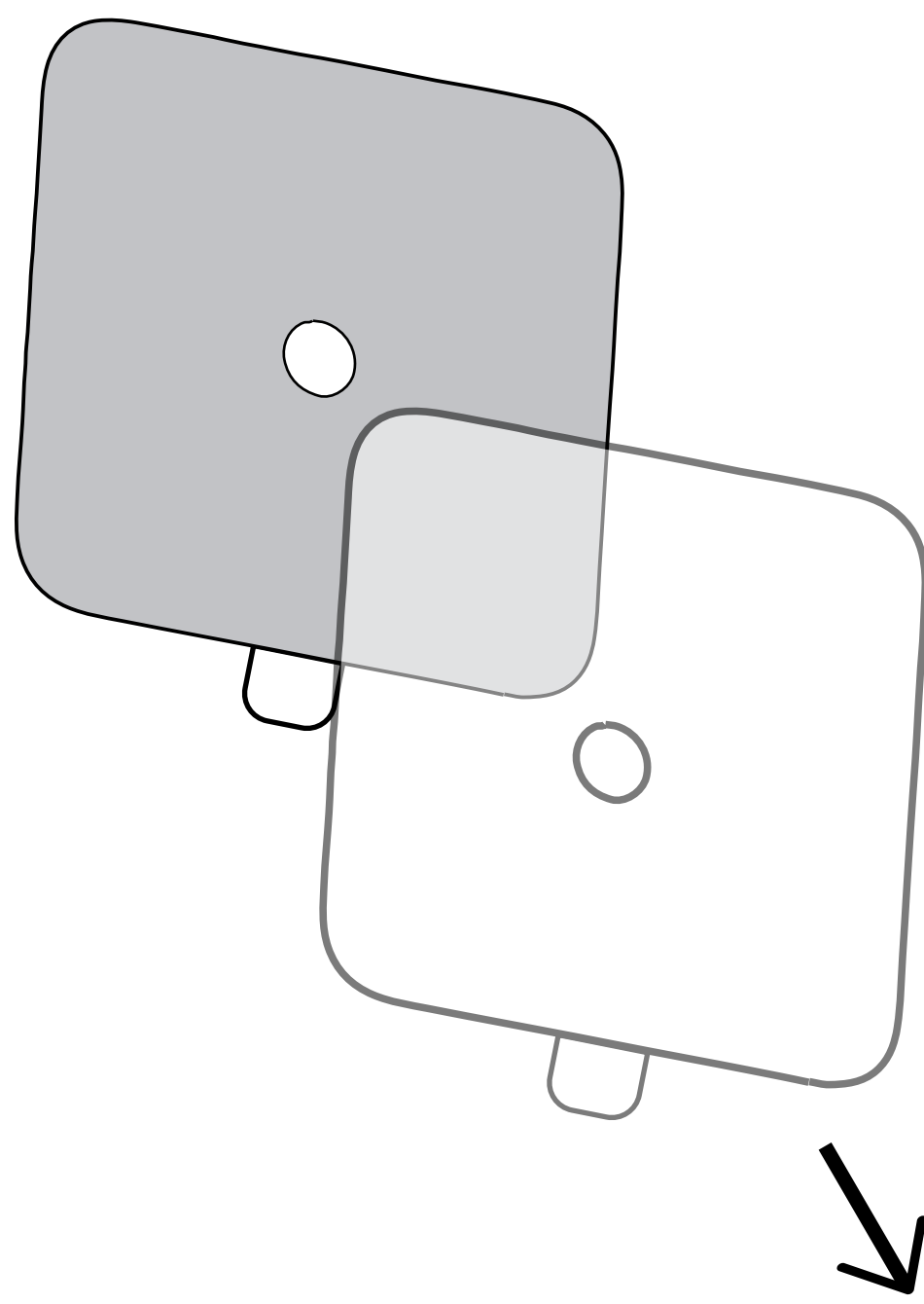
- 1. Remove the NYC1 and PayCase from their packaging. Remember to remove the provided adhesive sticker as well.**



I PORT CONNECT

PAYMENT PROCESSOR

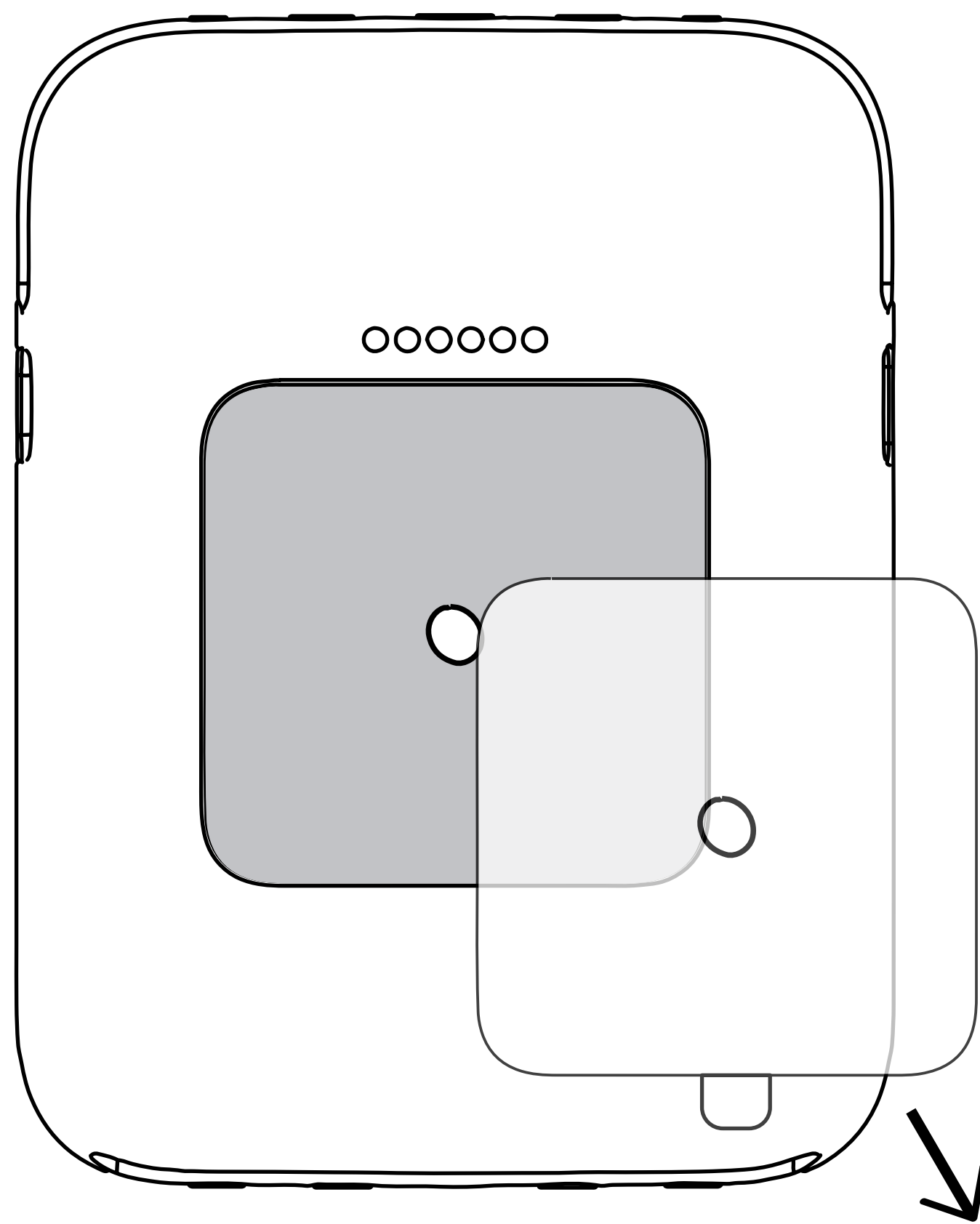
- 2. Remove one side of the adhesive cover to expose the 3M VHB. Place the adhesive in the shallow recess of the back of the NYC1. Apply firm pressure for 30 seconds.**



I PORT CONNECT

PAYMENT PROCESSOR

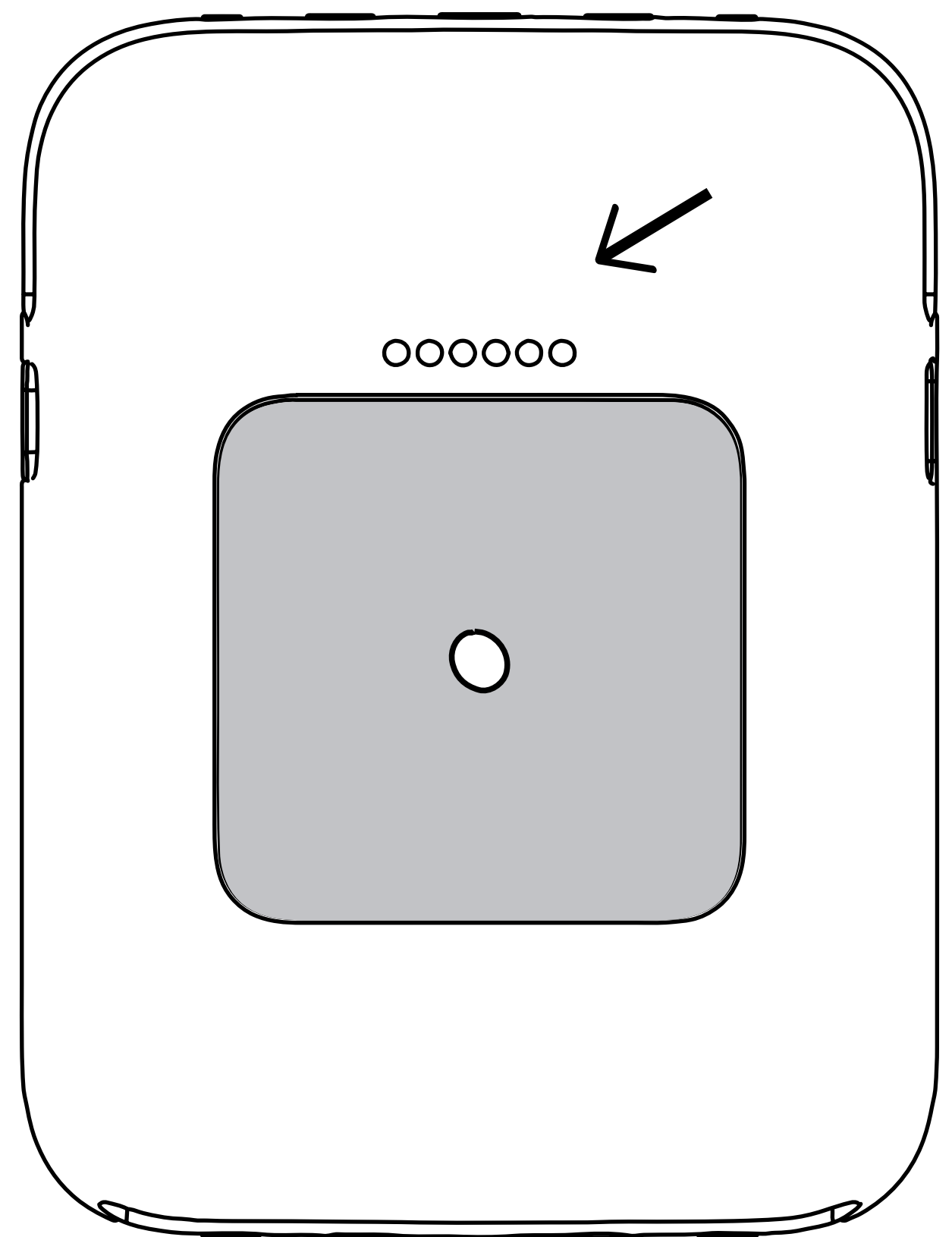
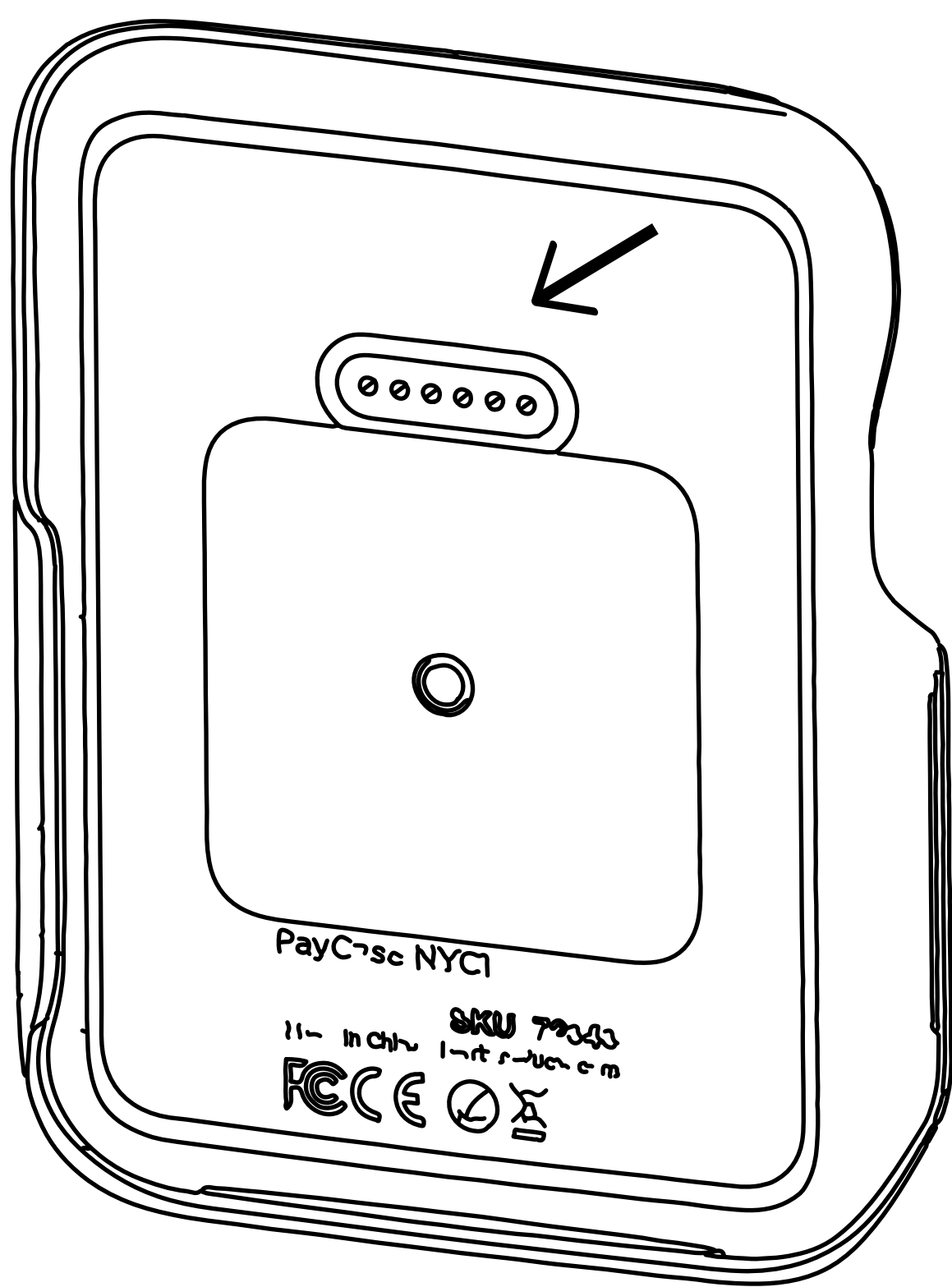
- 3. Remove the second side of the adhesive cover, exposing the adhesive to stick onto the PayCase.**



I PORT CONNECT

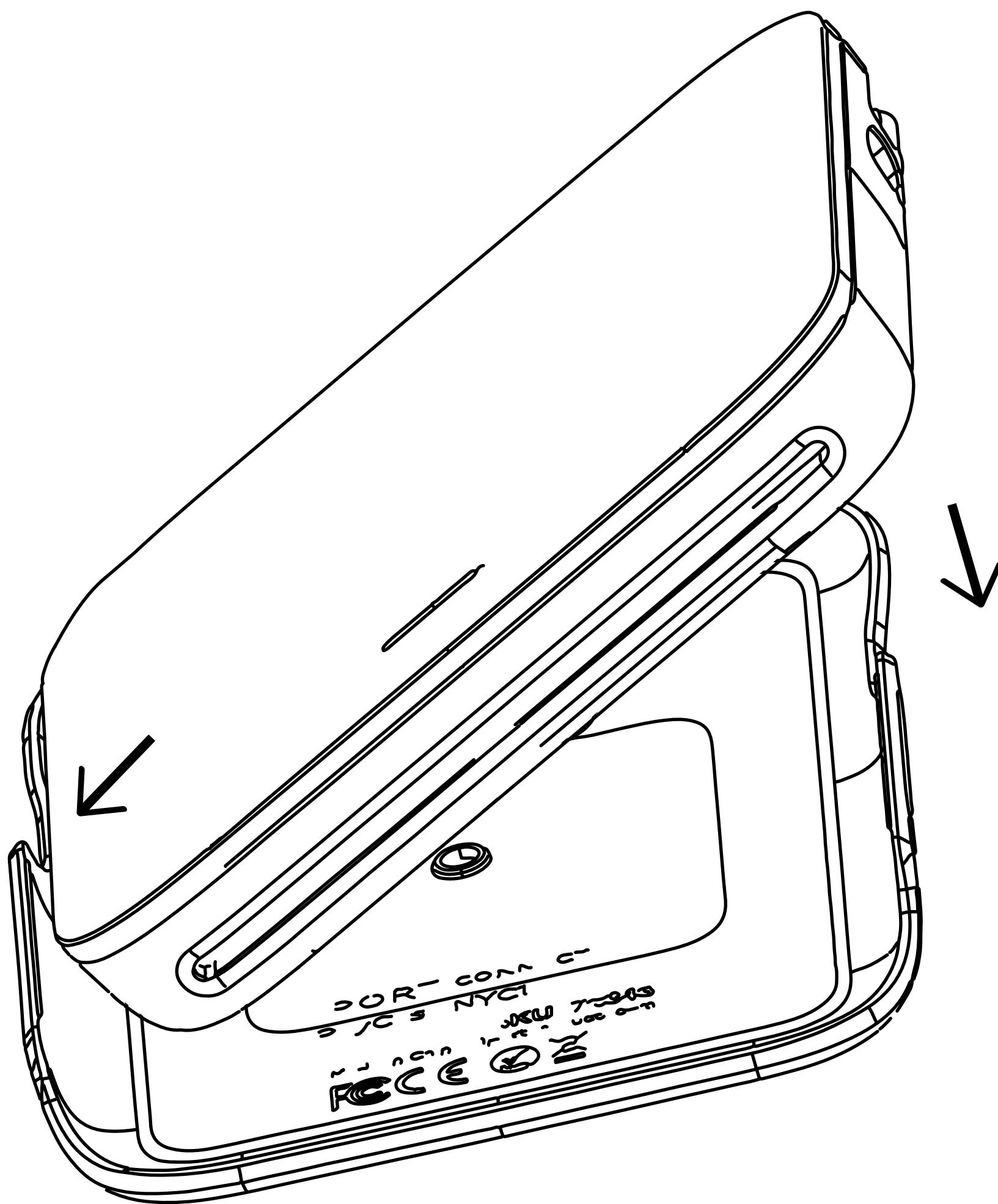
PAYMENT PROCESSOR

- 4. Orient the NYC1 and the Pay Case upward, noting that the charging pins face the same direction before installation.**



PAYMENT PROCESSOR

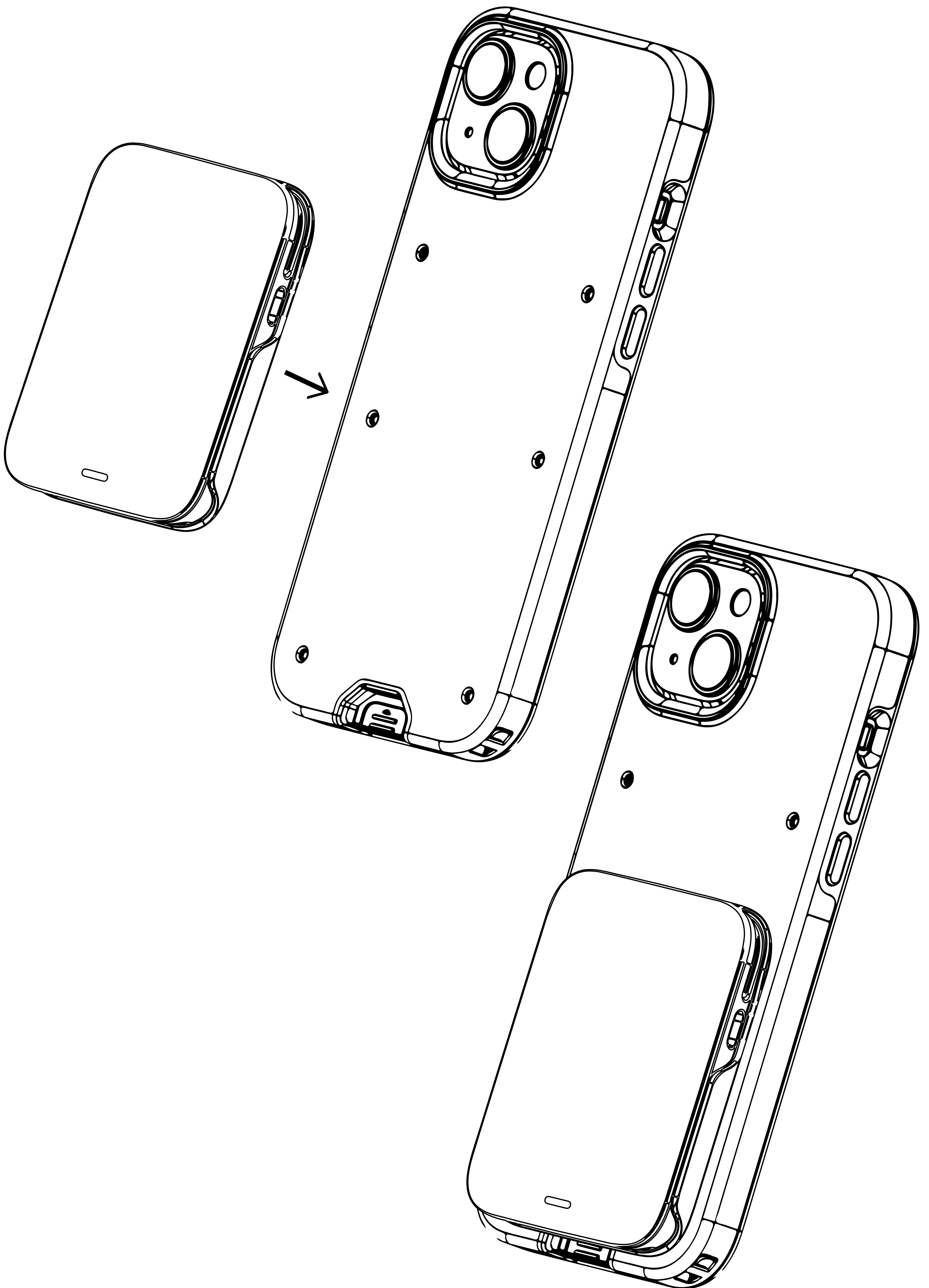
- 5. To install the NYC1 into the PayCase, first attach the left side of the case to the device. Then, press down securely until you hear the NYC1 click into place. Continue to apply pressure to the Case and NYC1 for 30 seconds to ensure a secure bond to the case.**



I PORT CONNECT

PAYMENT PROCESSOR

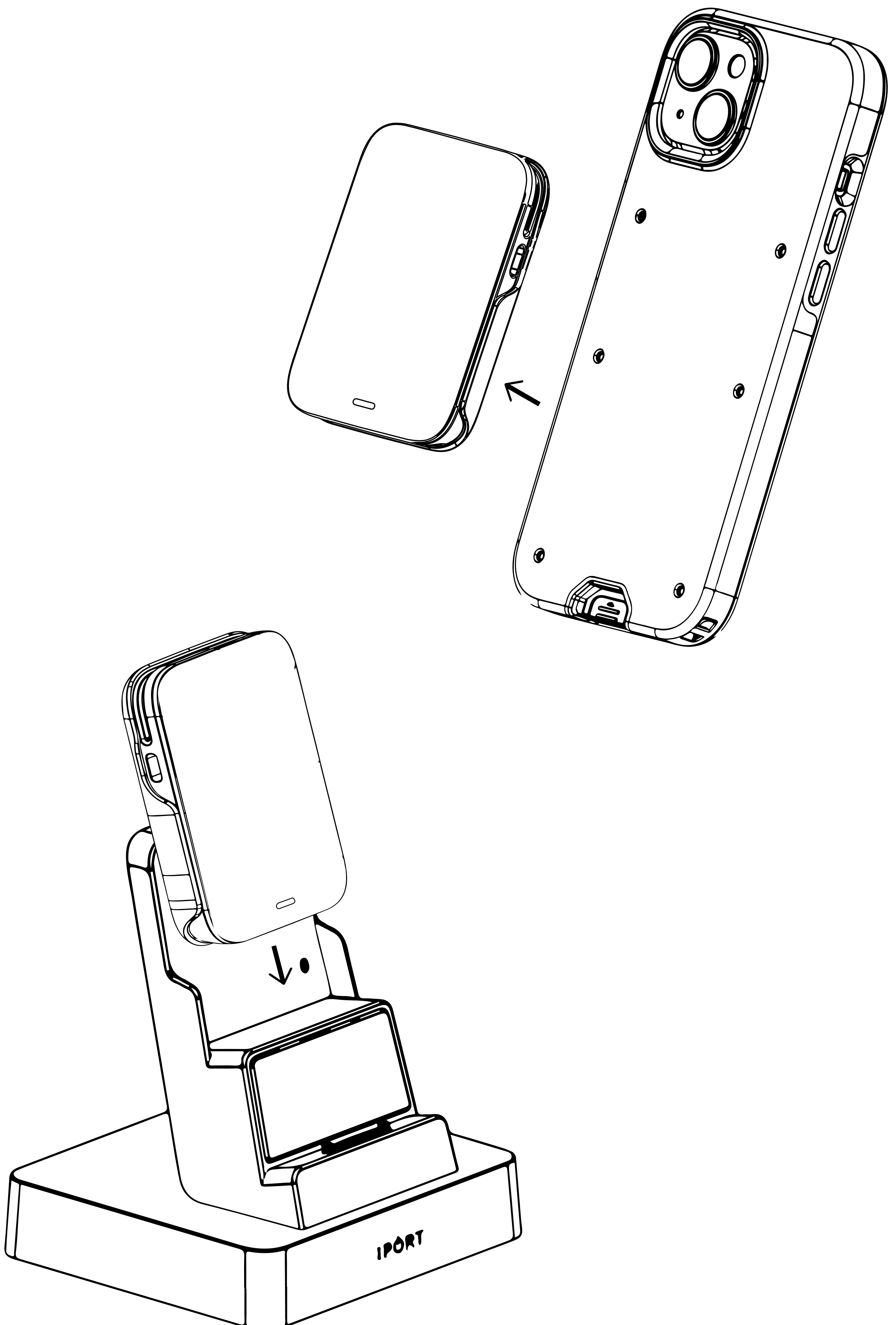
- 5. The PayCase magnetically attaches to the CONNECT Phone Case. The NYC1 is designed to be easily removed and attached to use the tap, dip, and swipe transactions.**



I PORT CONNECT

PAYMENT PROCESSOR

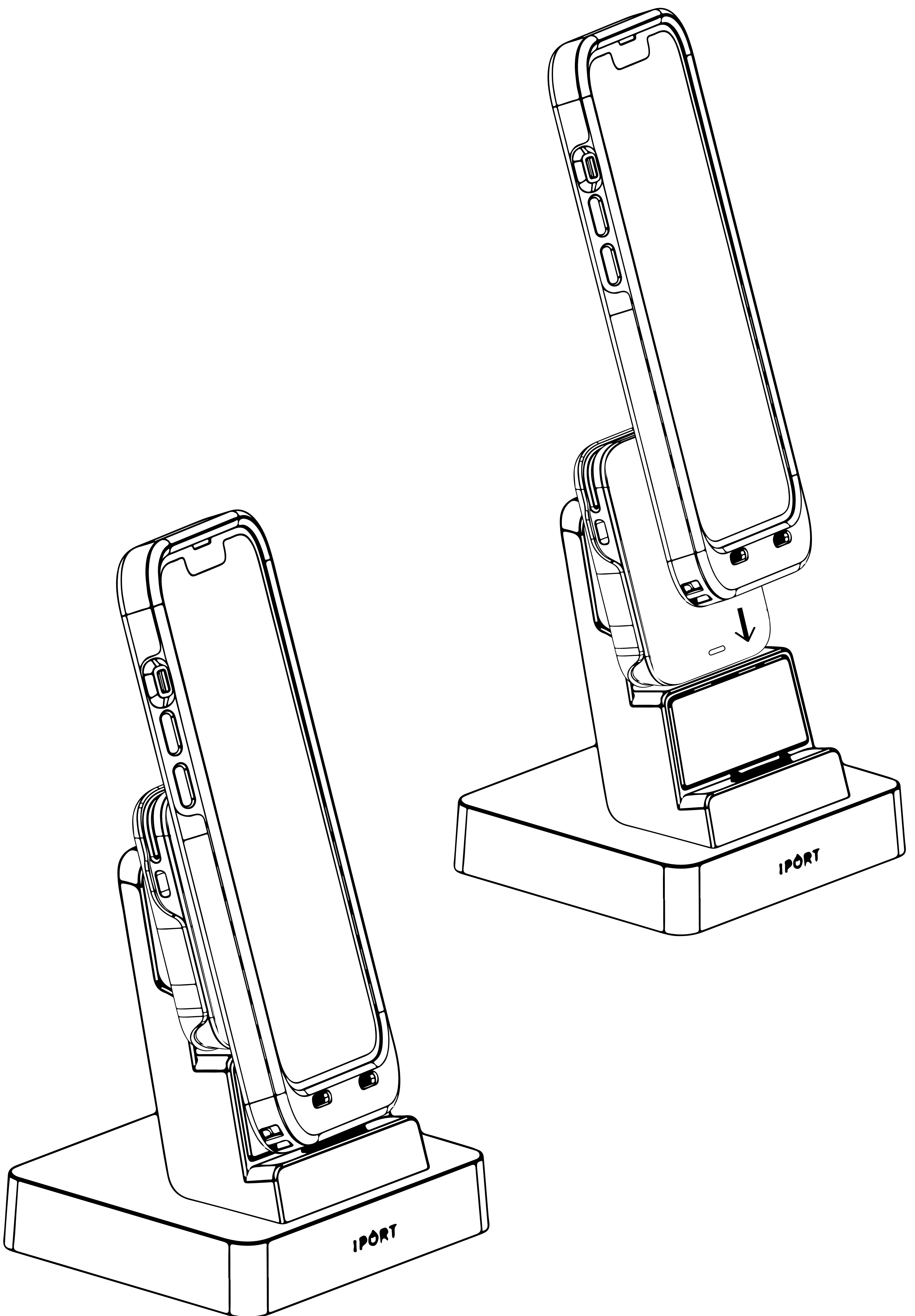
- 7. To charge the NYC1 PayCase, remove the PayCase from the phone and place the NYC1 Face out from the dock in the top charging location.**



I PORT CONNECT

PAYMENT PROCESSOR

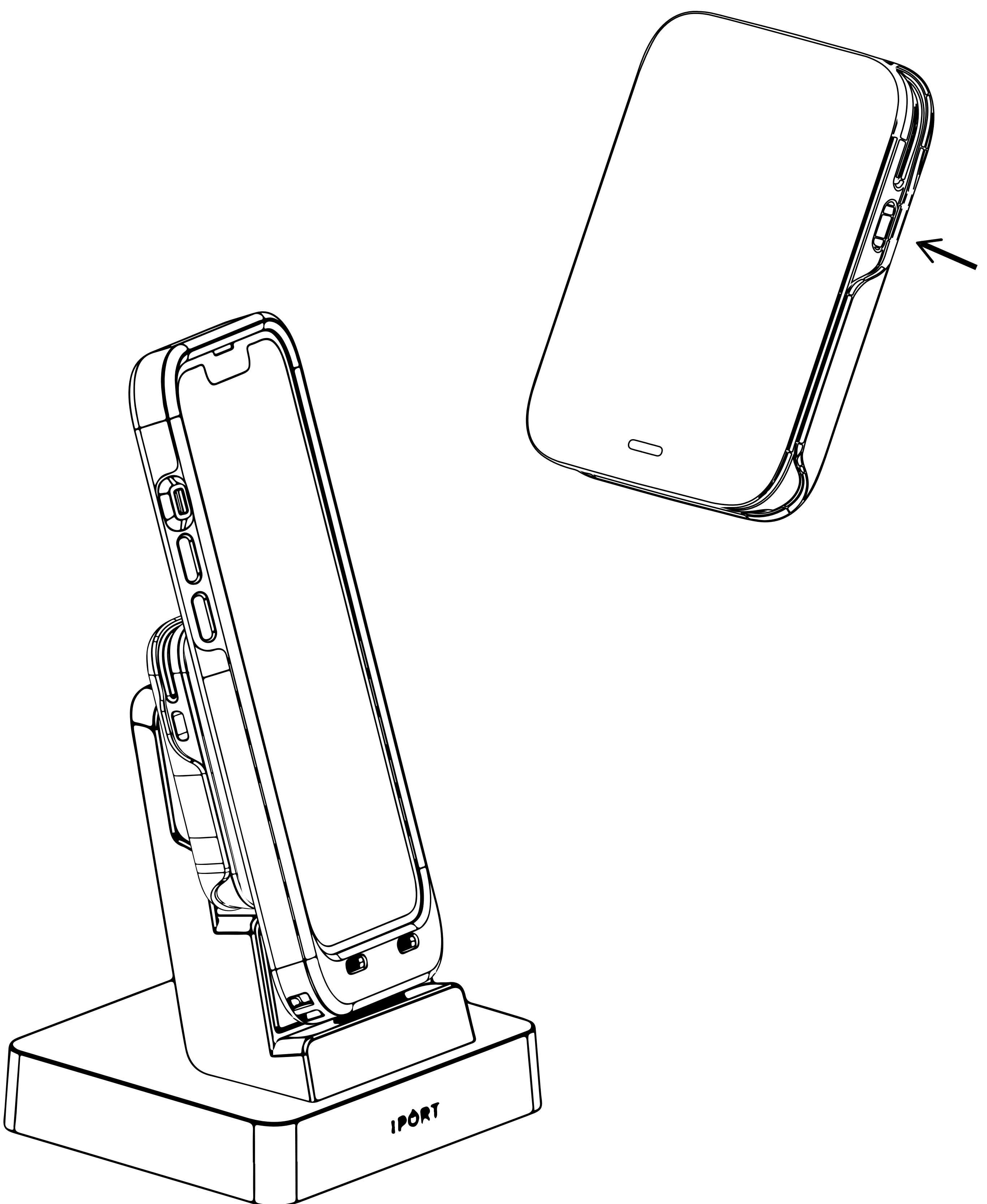
- 8. Once the PayCase has been removed and is charging on the Dock, place the CONNECT Phone Case face out and place it onto the Dock.**



I PORT CONNECT

PAYMENT PROCESSOR

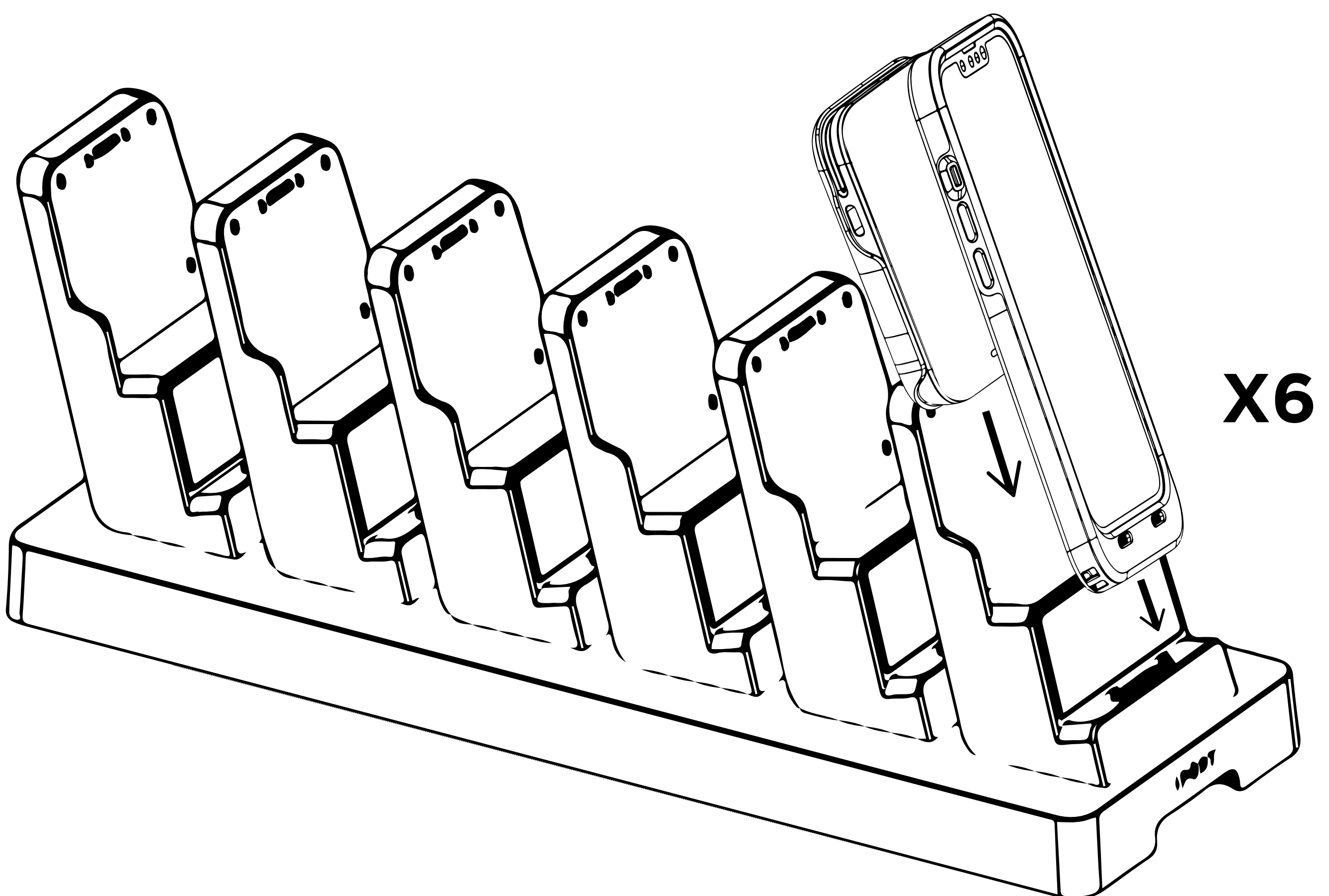
- 9. The iPhone's charging status is visible in the top right corner. To view the charging status of the NYC1, remove the PayCase from the Dock and press the side battery indication button to see the battery indication LEDs.**



I PORT CONNECT

PAYMENT PROCESSOR

- 10. To Charge the CONNECT Phone Case and Pay Case on a MultiDock, Detach the Pay Case and place it in the upper Cradle. Then, place the CONNECT Phone Case into the lower Cradle.**



PAYMENT PROCESSOR

NYC1 Charging Characteristics with MultiDock.

- 11. The MultiDock is equipped with LEDs on the side to show the current charging status of a docked phone and payment processor. If charging ONLY a NYC1 without a phone attached, the LED will light up Red while charging the NYC1. Once fully charged, however, the LED will only show GREEN when a CONNECT Phone Case is docked. If only the NYC1 is docked on a cradle, the LED will show grey or not lit. To Verify the charge status of the NYC1, remove it from the MultiDock and press the side button to show the integrated charge LEDs.**

