

Installation and Care Guide

Accessory Interface Conversion to DTV+

Français, page "Français-1"
Español, página "Español-1"

1256293-2-B

THE BOLD LOOK
OF **KOHLER**®

IMPORTANT INSTRUCTIONS



WARNING: When using electrical products, basic precautions should always be followed, including the following:



WARNING: Risk of electric shock. Disconnect power before servicing.



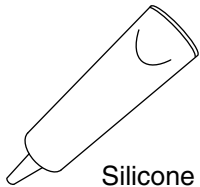
WARNING: Risk of injury or property damage. Please read all instructions thoroughly before beginning installation.

NOTICE: Follow all plumbing, electrical, and building codes.

Before Operating the System For the First Time:

Download and install the latest software. This may take an hour or more to complete based on system configuration and internet connection speed. **Do not disconnect the power from the controller during software download and installation.**

Tools and Materials



Silicone Sealant



3/32"

Before You Begin

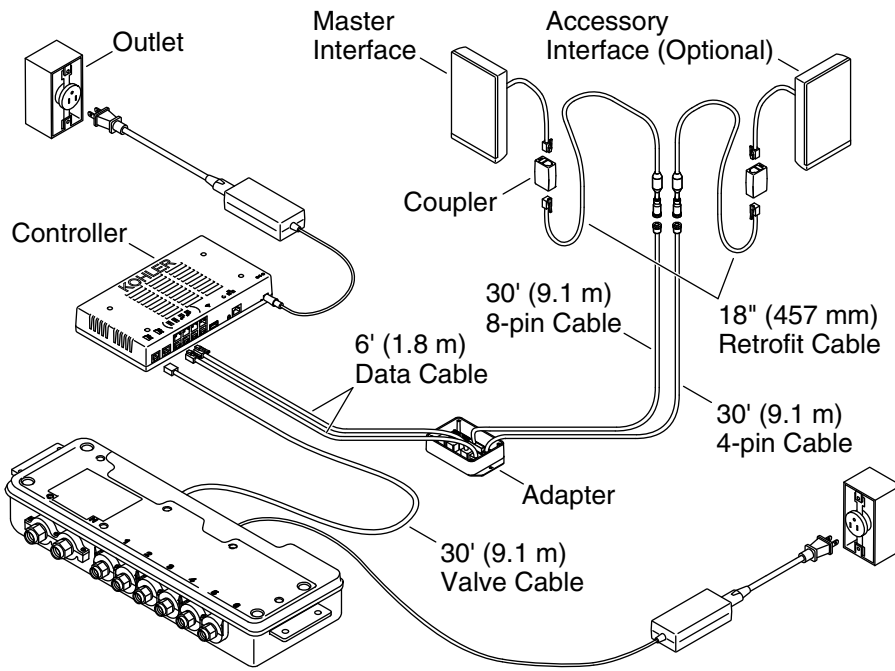
CAUTION: Risk of product damage: Disconnect the power from all components before beginning this installation.

NOTICE: An existing DTV system should already be in place to complete this installation.

NOTICE: This conversion kit is for accessory interfaces only. Conversion kits for DTV I or DTV II master interfaces are required to complete conversion to a DTV+ system.

Before You Begin (cont.)

- Observe all local plumbing, building, and electrical codes.
- Read these instructions and determine all required components along with their installation locations before beginning this installation.

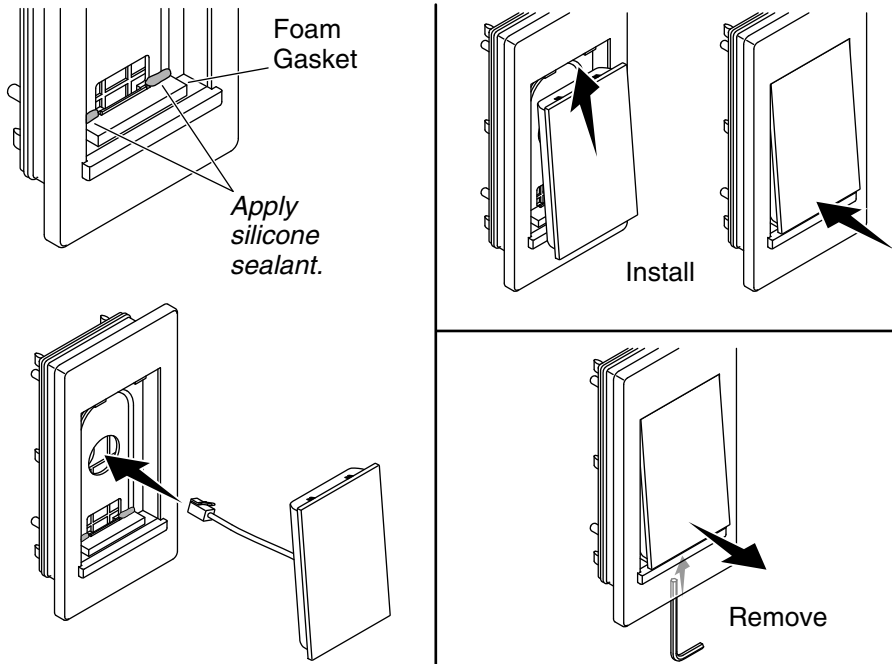


1. Plan the System

NOTE: The controller powers the interface(s) and controls the digital valve(s) and other system components.

- Refer to the installation guides packed with each product for specific installation needs.

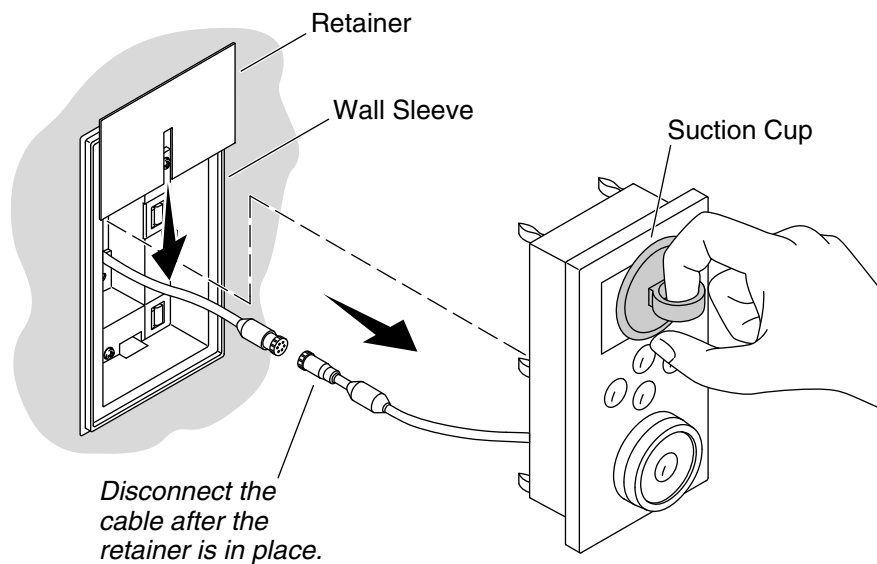
Retrofit Cable Length	18" (457 mm)
Data Cable Length	6' (1.8 m)



2. Install the DTV+ Interface to the Housing

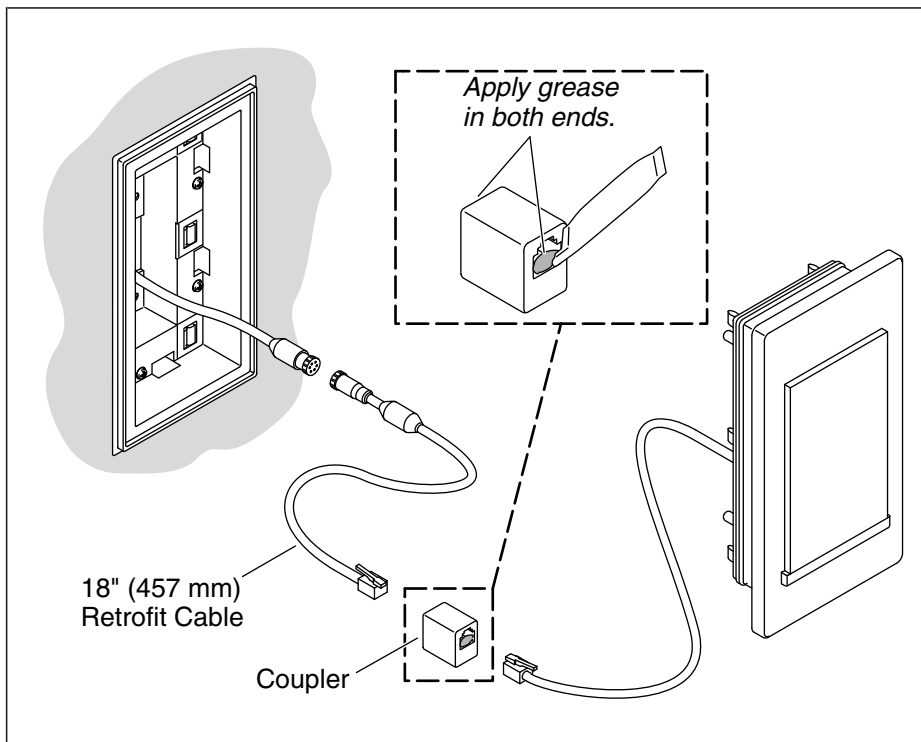
NOTE: The K-99693 digital interface is required to complete this installation.

- Apply silicone sealant to the inside edges of the foam gasket near the bottom of the housing.
- Feed the interface cable through the hole in the housing.
- Tilt the top of the interface onto the tabs in the housing.
- Press the bottom of the interface until it clicks in place.
- If the interface needs to be removed from the housing, insert a 3/32" hex wrench to unlatch the bottom, then tilt out.



3. Remove the Existing Interface

- Attach the suction cup (provided) to the screen of the existing interface.
- Using the suction cup, remove the interface from the wall sleeve.
- Carefully pull the cable through the hole in the wall sleeve and out of the wall cavity.
- Slide the cardboard retainer (provided with the DTV+ interface) over the cable to prevent it from falling back through the hole in the wall sleeve.
- With the retainer in place, disconnect the interface cable from the cable coming from the wall.



4. Install the Housing Assembly

CAUTION: Risk of product damage: Before proceeding, verify that **both ends** of the original product cable coming from the wall are disconnected from any components.

- Apply grease (provided with the DTV+ interface) into both ends of the coupler.
- Connect the 18" (457 mm) retrofit cable and the interface cable to the coupler. Make sure the cables fully click into the coupler.
- Connect the other end of the retrofit cable to the cable from the wall. Align the white arrows on the connectors and make sure they fully engage.
- Carefully feed the cables and coupler into the hole in the wall.
- Firmly press the housing assembly into the wall sleeve until it snaps in place.
- Install the K-97171 or K-99702 conversion kit according to the instructions packed with the products.