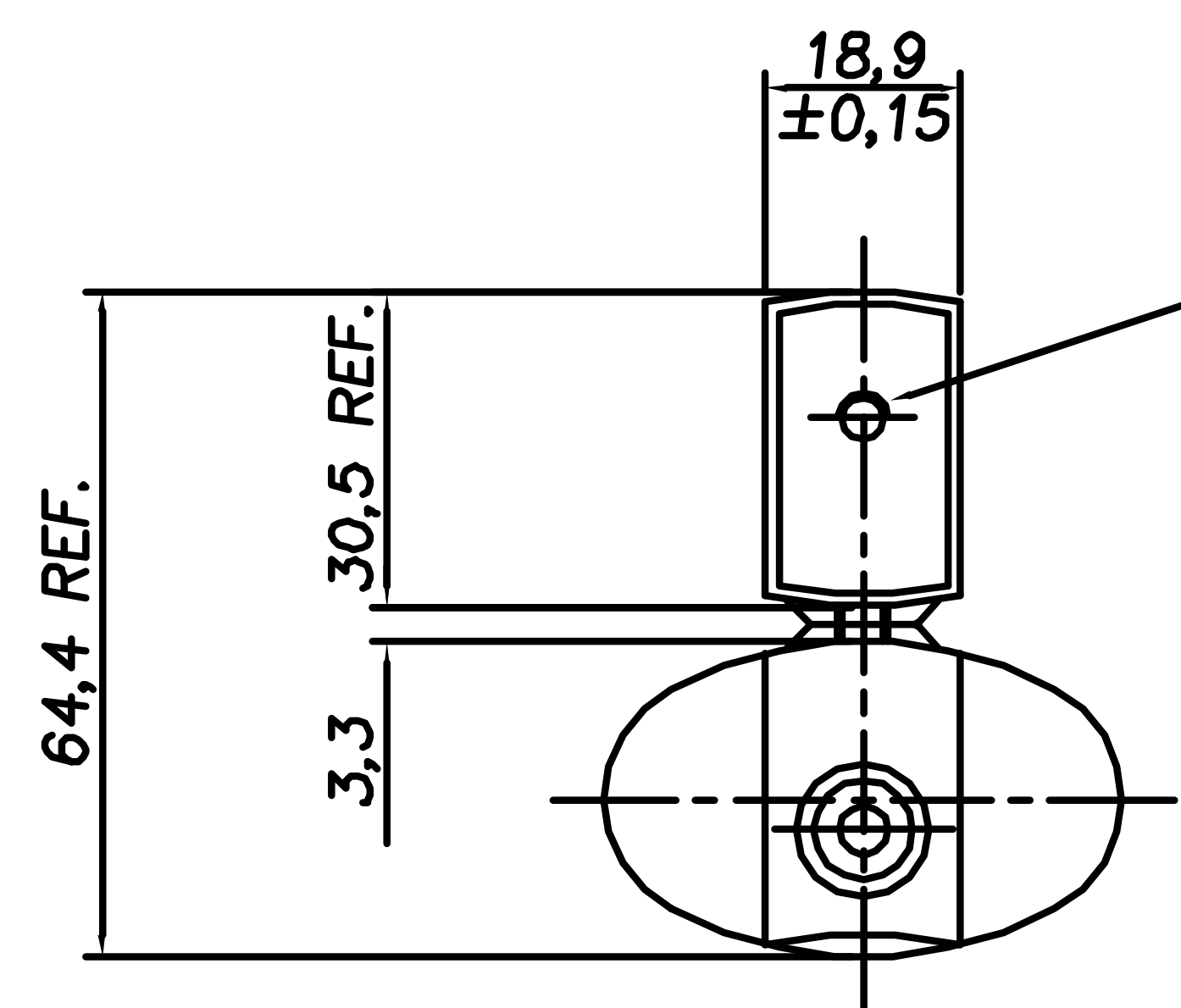
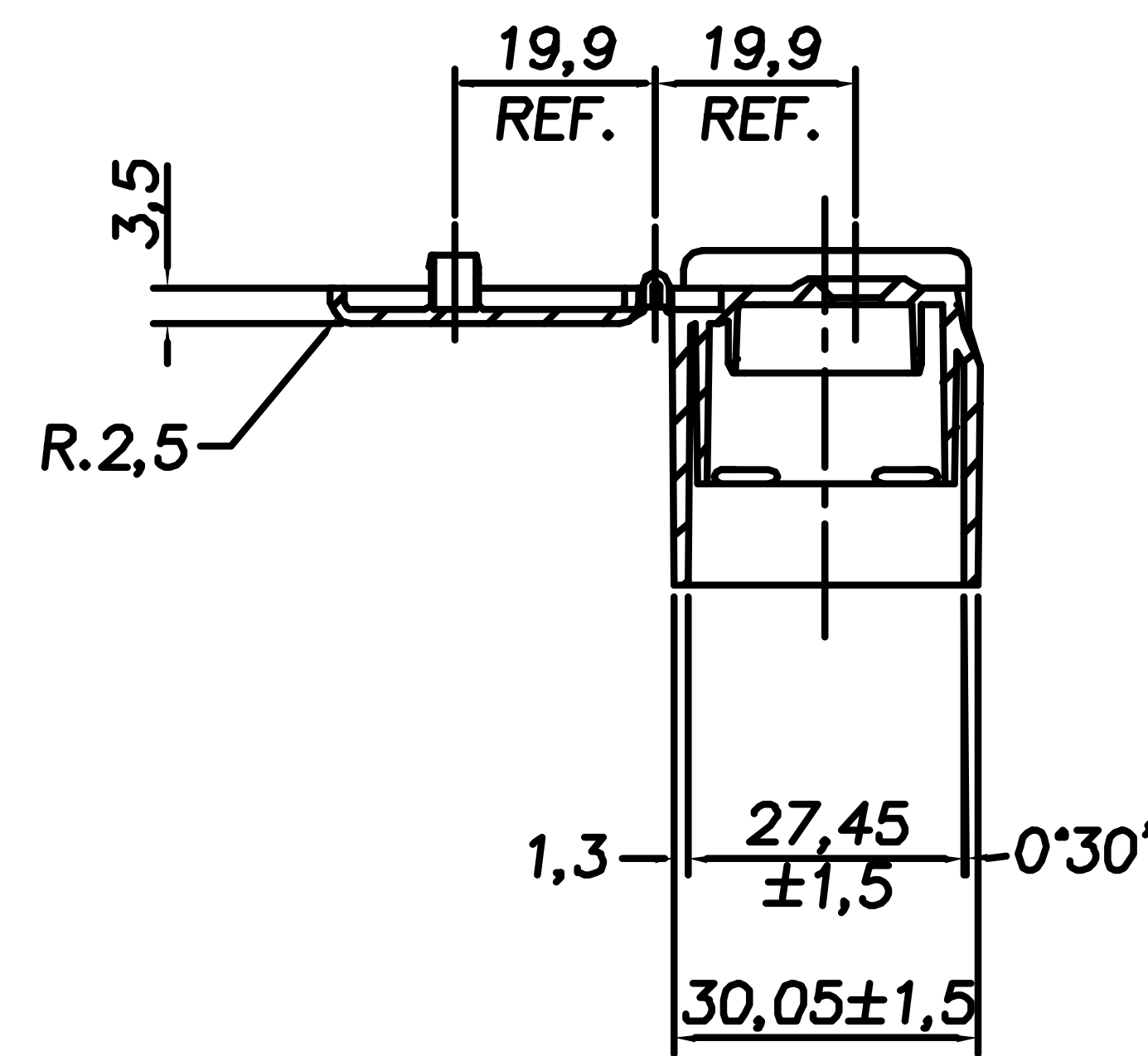
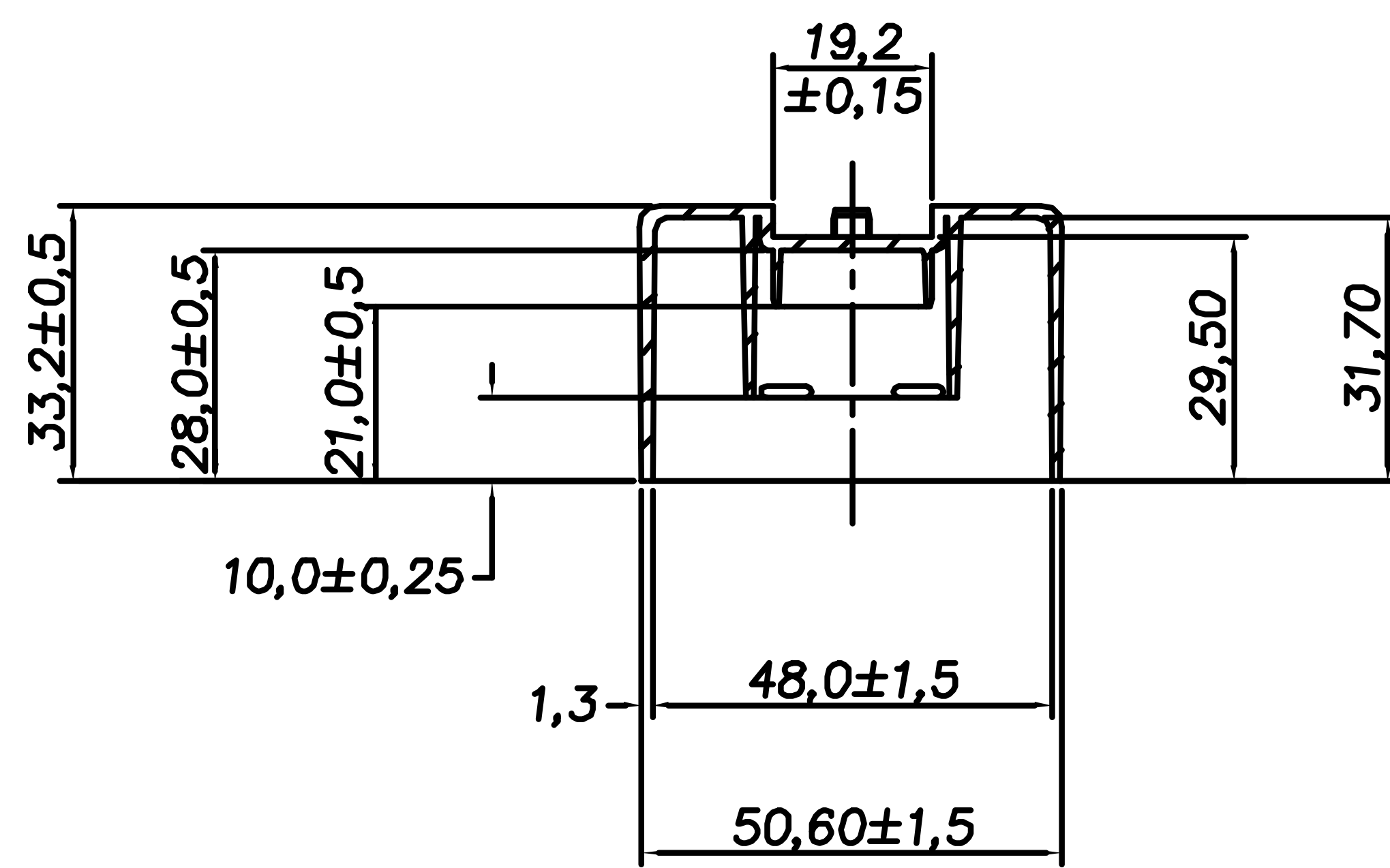
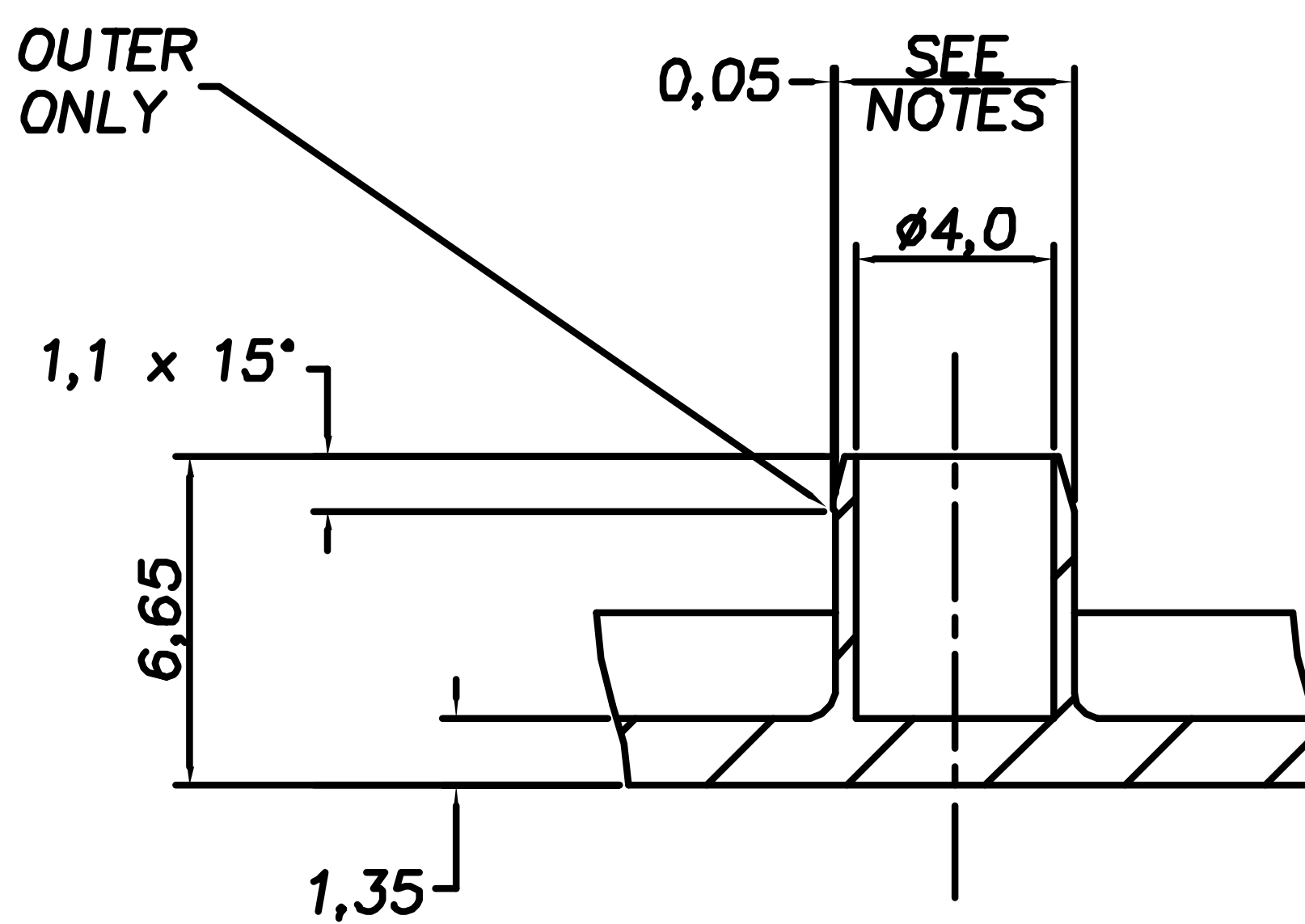


NOTE: SCALLOP FEATURE ON MINOR AXIS ONLY
TYP. 2 PLACES

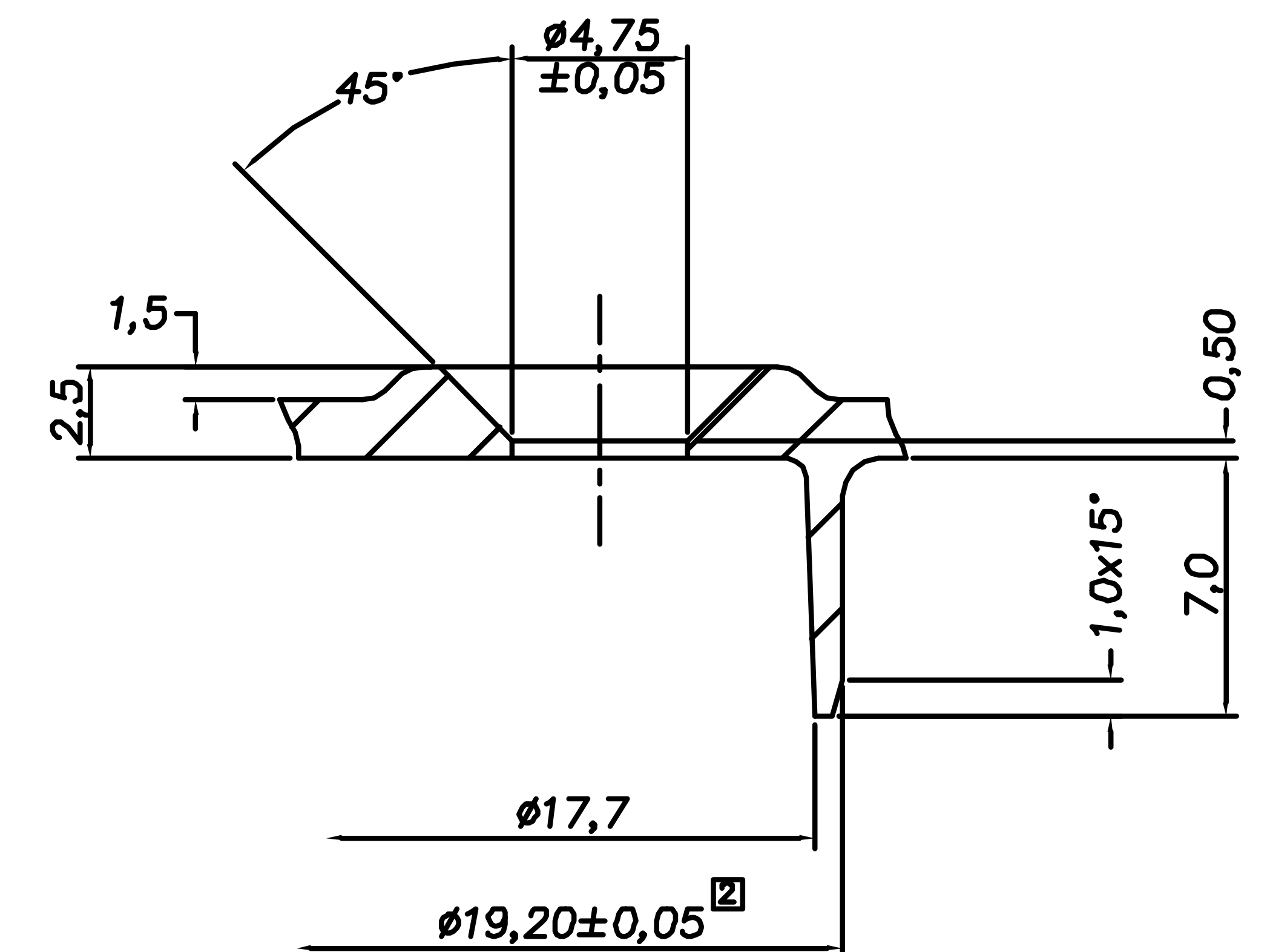
LOCATION LUG DETAIL



CLIP FEATURE ON OUTER HALF OF SPIGOT ONLY



SPIGOT DETAIL



BORE SEAL DETAIL

| FINISH | WEIGHT | MATERIAL |
|--------|------------|-----------|
| GLOSS | 9,8 ± 0,5g | POLYPROP. |

DISCLAIMER

This specification does not relieve the customer of their ultimate responsibility for the determination of the appropriate container. It is the customer's responsibility to select the appropriate packaging based upon all information at their disposal including the specific application, regulatory compliance, product compatibility and shipping requirements. WE HEREBY DISCLAIM AND EXCLUDE ANY EXPRESS OR IMPLIED WARRANTIES, INCLUDING WITHOUT LIMITATION THE IMPLIED WARRANTIES OF MERCHANTABILITY AND FITNESS FOR A PARTICULAR PURPOSE.

DISTRIBUTED BY:



REF NO.:

DWG31876

DESCRIPTION:

28 mm PP Plastic Snap-On Avalon Flip Top Cap, No Liner