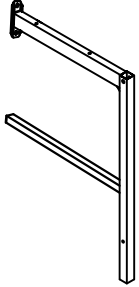


# ASSEMBLY INSTRUCTION

## COUNTER HEIGHT CHAIR

**A** Chair Frame L&R      **B** Chair Back      **C** Front Top Rail      **D** Front Stretcher



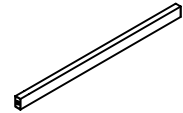
2PCS



1PC

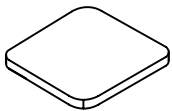


1PC



1PC

**E** Seat Cushion      **F** Bolt 1/4" \* 38mm      **G** Bolt 1/4" \* 19mm      **H** Bolt 1/4" \* 43mm



1PC



4PCS



4PCS



2PCS

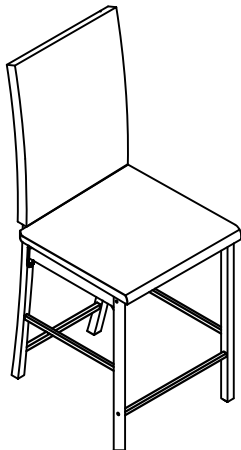
**I** Screw 5mm \* 56mm      **J** L-Allen Key 4mm



4PCS



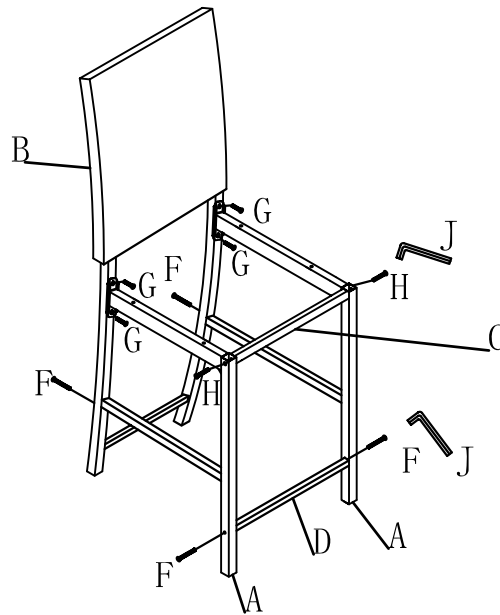
1PC



This page lists all the contents included in the box. Please take the time to identify the hardware as well as the individual components to this product. As you unpack and prepare for assembly, place the contents on a carpeted or padded area to protect them from damage.

**1**

Align the Chair Frame L&R(A) to the Chair Back(B), the Front Top Rail(C) and Front Stretcher(D), insert the Bolt(F), the Bolt(G) and the Bolt(H) to the holes, turn the L-Allen Key(J) to tighten them. Take the Allen Key, and turn the bolts until the legs are secure. DO NOT TIGHTEN COMPLETELY. Stop when you feel you are adding force to tighten the bolts. Stand chair up on an even surface and check that it is balanced. If there is a slight wobble, apply downward pressure in the corner where a leg is uneven. Keeping pressure in that corner, tighten all bolts. If balanced, apply downward pressure evenly in the center and tighten all bolts. Do not over-tighten beyond hole depth.

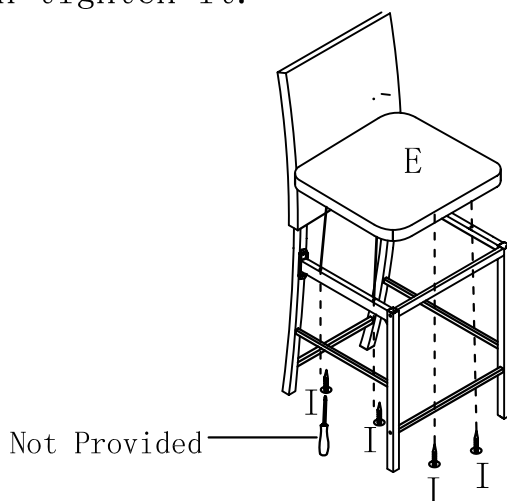


Helpful Tip:

-Instead of applying downward pressure while reaching under to tighten bolts, have someone sit in the chair while you tighten the bolts.

**2**

Attach the Seat Cushion(E) to the seat, insert the Screw(I) then tighten it.



### Cleaning & Care

Treat surface with care. Surface is resistant to scratches but is not scratch resistant. Clean surfaces with a dry or damp soft cloth. Do not use abrasive cleaners. Hardware may loosen over time. Periodically check that all connections are tight.