



Assembly & Installation Instructions

CAUTION: Read instructions carefully and turn electricity off at main circuit breaker panel before beginning installation.

3864

WARNING - If any Special Control Devices are used with this Fixture, Follow the Instructions Carefully to assure full compliance with N.E.C. requirements. If there are any questions, contact a Qualified Electrical Contractor.


WARNING - This product contains chemicals known to the State of California to cause cancer, birth defects and /or other reproductive harm. Thoroughly wash hands after installing, handling, cleaning, or otherwise touching this product.

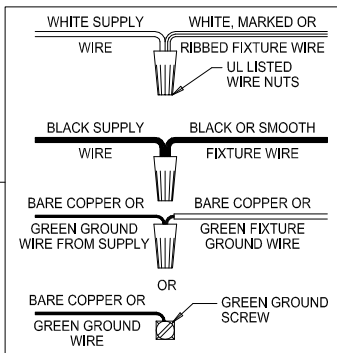
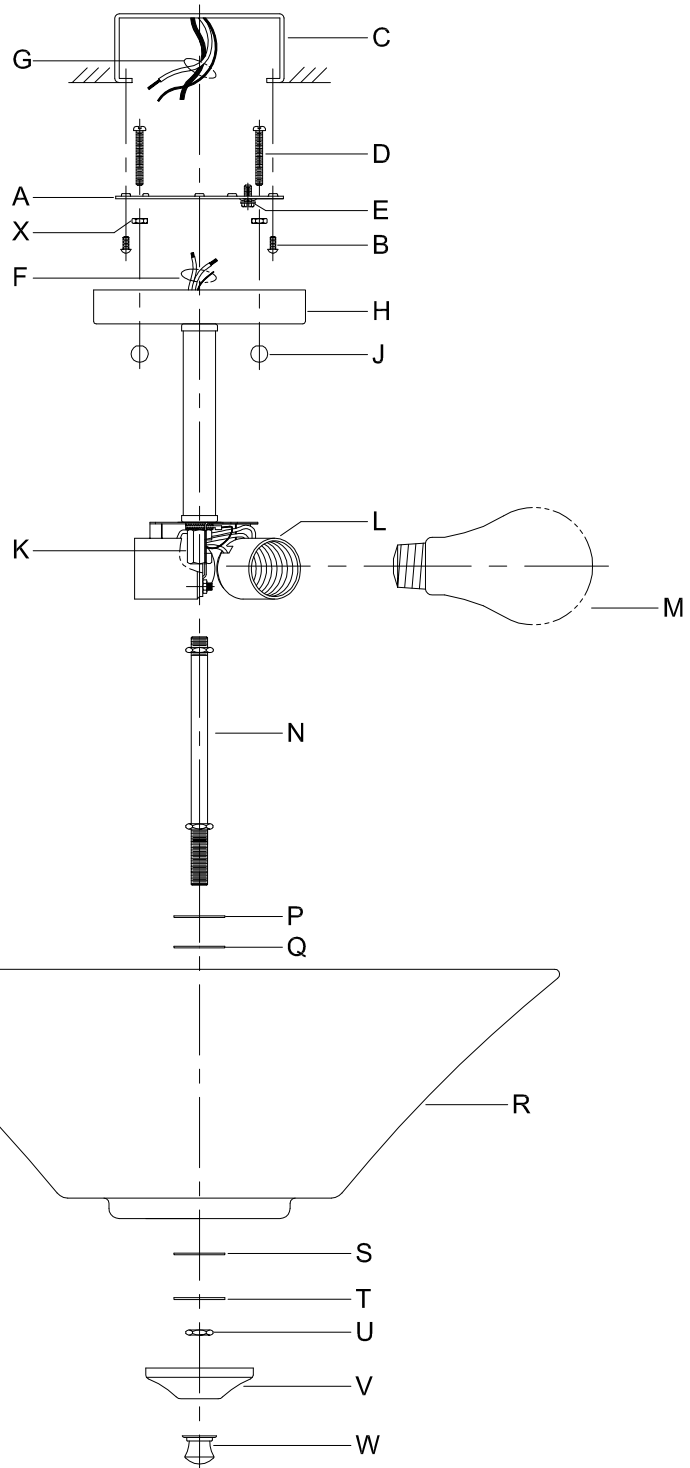
CAUTION - All glass is fragile, use care when handling Glass component(s) and or Lamp(s).

ASSEMBLY STEPS:

PASOS PARA ENSAMBLAR:

MODE D'ASSEMBLAGE:

1. D,E → A
2. X → D
3. B,A → C
4. F → G 
5. H,J → D
6. M → L
7. N → K
8. P,Q,R,S,T,U → N
9. V,W → N



**B, C, G & M
(NOT FURNISHED)
(NO INCLUIDA)
(NON FOURNIE)**



Assembly & Installation Instructions

CAUTION: Read instructions carefully and turn electricity off at main circuit breaker panel before beginning installation.

3864

WARNING - If any Special Control Devices are used with this Fixture, Follow the Instructions Carefully to assure full compliance with N.E.C. requirements. If there are any questions, contact a Qualified Electrical Contractor.



CAUTION - All glass is fragile, use care when handling Glass component(s) and or Lamp(s).

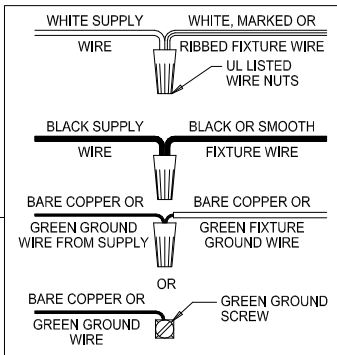
WARNING - This product contains chemicals known to the State of California to cause cancer, birth defects and /or other reproductive harm. Thoroughly wash hands after installing, handling, cleaning, or otherwise touching this product.

ASSEMBLY STEPS:

PASOS PARA ENSAMBLAR:

MODE D'ASSEMBLAGE:

1. D,E → A
2. X → D
3. B,A → C
4. CC,DD,H → Y
5. AA → BB
6. Z → Y,AA 
7. F → Z,AA,H
8. F → G 
9. H,J → D
10. M → L
11. N → K
12. P,Q,R,S,T,U → N
13. V,W → N



**B, C, G & M
(NOT FURNISHED)
(NO INCLUIDA)
(NON FOURNIE)**

