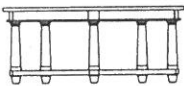






HEKMAN®

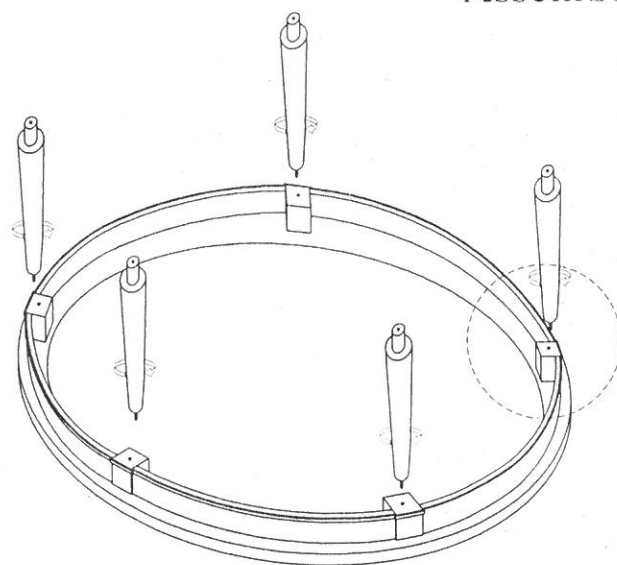
X A HOWARD MILLER COMPANY

23502 ROUND COFFEE TABLE

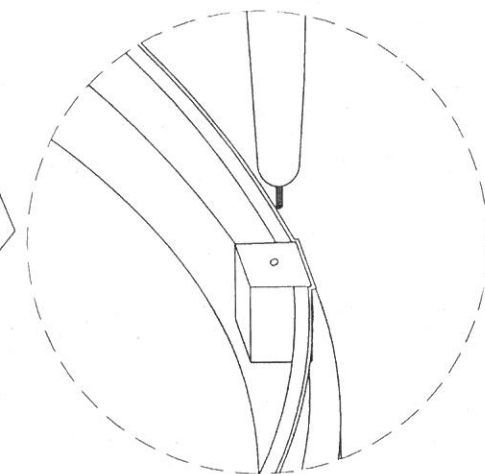
Hardware List

A	B	C	D	
ALLEN BOLT M6 X 100 (5 PCS)	FLAT W. M6 5 PCS	SPRING W. M6 5 PCS	ALLEN KEY L4 FOR ALLEN BOLT 1 PC	
				

Assembly Instruction



STEP 1.
LAY TOP PANEL UPSIDE DOWN ON A SOFT, CLEAN AND FLAT SURFACE. ALIGN POST TO HOLES IN TOP ASSEMBLY AND TURN UNTIL TIGHT.



STEP 2.
ALIGN LEGS TO HOLES IN BASE ASSEMBLY AND CONNECT USING FLAT WASHER (B), SPRING WASHER (C), ALLEN BOLT (A) AND ALLEN KEY (D) PROVIDED.

STEP 3.
SET ROUND COFFEE TABLE UPRIGHT AND INSTALL GLASS

