

KALLISTA®

INSTALLATION INSTRUCTIONS

TWO-WAY DIVERTER

1. BEFORE YOU BEGIN

A. NOTES

- This diverter can be used in either a deck-mount or wall-mount installation. See Page 3 for special wall-mount considerations.
- Do not install spouts with flow restrictors or hand held shower units on the large (5/8" O.D.) bath outlet.
- The two-way diverter is designed for use with non-diverting bath spouts.
- Carefully read the entire instruction before beginning the installation; the illustrations do not show all possible configurations.

- Provide an access panel for all installations.
- **Remove all internal components of the diverter valve before soldering.** Kallista, Inc. recommends soldering supply and optional outlet connections to avoid potential leakage.
- Observe all local plumbing and building codes.



WARNING: Risk of personal injury. This product is a diverter valve only, and should **never** be used as a shut-off valve. Use as a shut-off valve will allow cross flow between the hot and cold water supplies, and will create a serious scalding hazard.

B. ROUGHING-IN DIMENSIONS

Turn off the hot and cold water supplies.

Install or relocate the supply tubing to conform to the roughing-in dimensions.

Deck-mount installation is shown. The same rough-in dimensions apply to wall-mount installations.

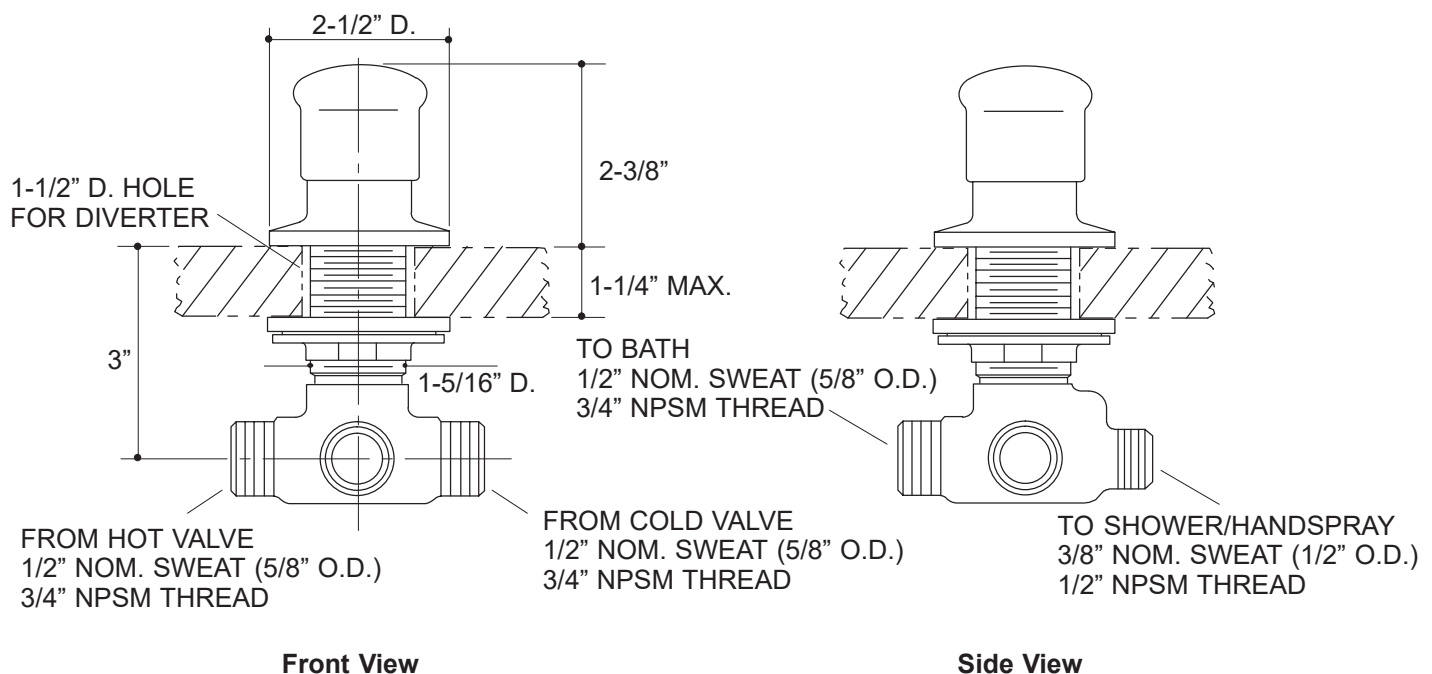


Fig. #1

C. DIVERTER CONFIGURATION FOR DECK-MOUNT INSTALLATIONS

For soldering and maintenance access to the diverter components, the cartridge must be removed. The torque necessary to remove this cartridge may twist a long span of unsupported pipe. The diverter must be secured by hand via an access panel or by permanent blocking.

Verify location of components and orientation of ports. The opposing pair of larger 1/2" nominal ports are the interchangeable hot and cold ports. The remaining large port is the outlet for an optional bath spout. Default flow is through this large outlet. The small port is for the supplied hand shower hose.

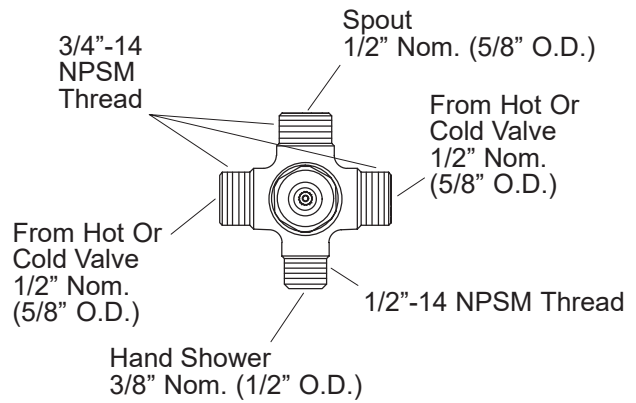


Fig. #2

D. DIVERTER CONFIGURATION FOR WALL-MOUNT INSTALLATIONS

For soldering and maintenance access to the diverter components, the cartridge must be removed. The torque necessary to remove this cartridge may twist a long span of unsupported pipe. The diverter must be secured by hand via an access panel or by permanent blocking.

Verify location of components and orientation of ports. One of the 1/2" nominal ports must be capped off. The other 1/2" port is the inlet for the mixed water from the mixer valve. The remaining large port is the outlet for the showerhead. Default flow is through this large outlet. The small port is for the supplied hand shower hose.

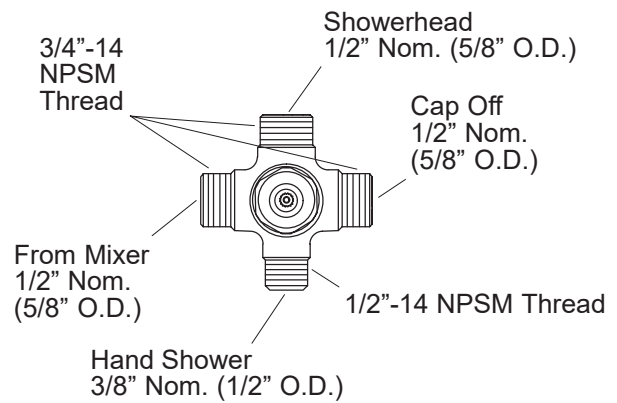


Fig. #3

E. PIPING CONSIDERATIONS

Decide in advance on the location and orientation of the diverter. The location of the shower and hand shower, and the direction in which the inlets/outlets point, will affect the piping and connectors needed.

IMPORTANT: If you install this diverter valve to the shower port of a mixer, you will obtain reduced, and potentially unsatisfactory, water flow performance.

Allow clearance for valve outlets, handles, and hand shower hoses. For use with optional spout, also allow clearance for spout connection.

When used with a hand shower, the distance between the diverter and the heavy-duty hose connection can be extended with piping below the rim, but may not be safe or practical. A long run of piping will mean a long run of room-temperature standing water when the hand shower is first activated for use.

Long runs of piping should be secured to the stud framing. If piping cannot be secured at a point near the diverter, secure the diverter with blocking lumber or an angle bracket.

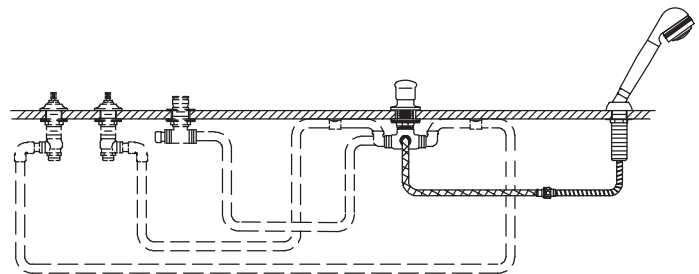


Fig. #4

F. WALL-MOUNT CONSIDERATIONS

When using this diverter for a wall-mount installation, pay special attention to the rough-in requirements of the mixer valve used. Mixer valve rough-in requirements will differ from those of the diverter. You will need to “jog” the depth of the piping and connectors, as shown, to make this installation.

IMPORTANT: If you install this diverter valve to the shower port of a mixer, you will obtain reduced, and potentially unsatisfactory, water flow performance.

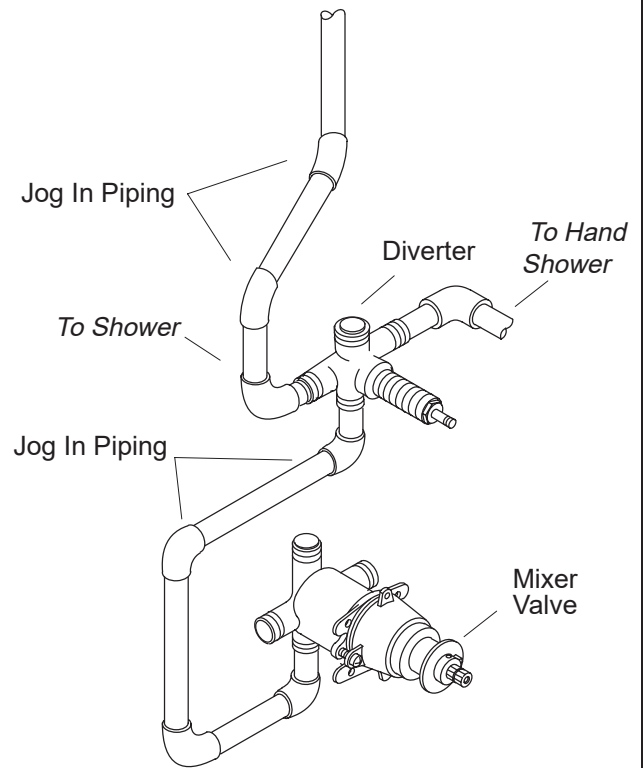


Fig. #5

2. INSTALLATION SEQUENCE

A. BEFORE SOLDERING

Provide an access panel for all installations.

Provide a bath deck/rim or wall surface roughed-in in accordance with the front page roughing-in dimensions. Consult the rough-in diagrams for optional outlets and valves. Allow for access to the connection between the shower high-pressure hose and the shower interlock hose.

For easiest installation, do not install the bath unit until all soldering (except supplies) is complete. Then install the bath and connect supplies.

Remove the cartridge assembly, as this is most easily done before the diverter valve is attached to the rim. Use a wrench, turning counterclockwise, to initially loosen the cartridge assembly. Then continue to unscrew until free. Set aside the cartridge assembly.

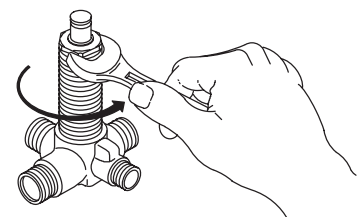


Fig. #6

NOTE: You may need a helper to align and secure the diverter.

Screw the mounting nut onto the diverter valve body as far down as it will go; slip the friction washer and rubber washer over the nut. Locate the diverter valve body up through the deck/rim or wall. Set the washer and escutcheon on the diverter valve body. Loosely thread the escutcheon down onto the diverter valve body to hold the diverter in place.

Continue to thread the escutcheon onto the diverter valve body until the top of the escutcheon is flush with the valve body. This will allow clearance for proper handle function. Align the inlets and outlets. Hand tighten the mounting nut.

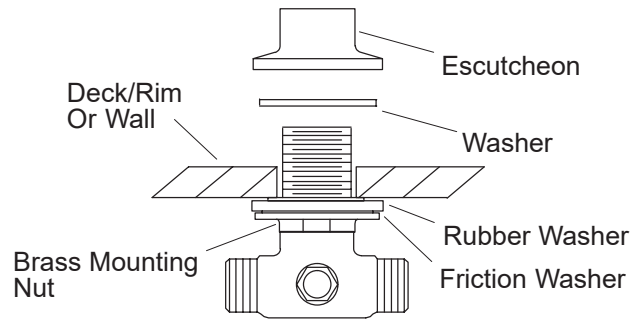


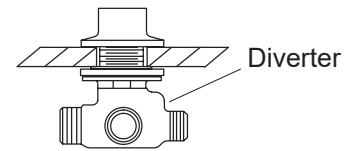
Fig. #7

B. SOLDER CONNECTIONS

CAUTION: Risk of product damage. Internal cartridge assembly should still be removed.

Dry fit all piping and connectors.

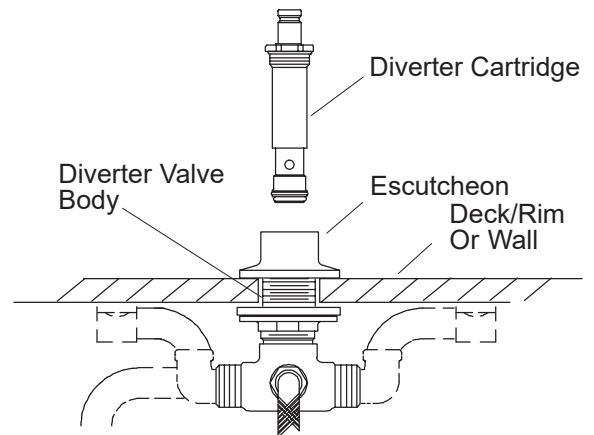
Solder piping for optional spout or wall shower. Then connect the hot and cold lines from valves to diverter.



Side View

Fig. #8

While supporting from below, carefully install and wrench tighten the cartridge into the diverter body.



NOTE: Provide Diverter Support

Fig. #9

C. AFTER SOLDERING

Install the handle, and tighten the setscrew using a 3/32" hex wrench.

Complete the installation and troubleshooting for the valve, valve trim, and optional outlet according to the instructions packed with them.

Confirm proper diverter operation.

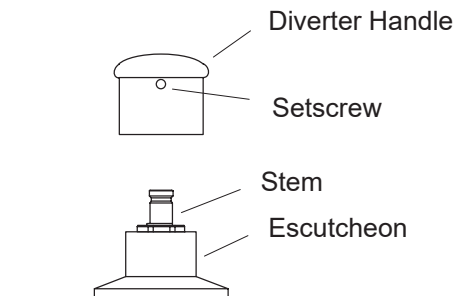


Fig. #10