

## For Residential and Commercial Applications

Job Name:

Engineer/Architect:

Job Location:

Wholesaler:

Submittal Date:

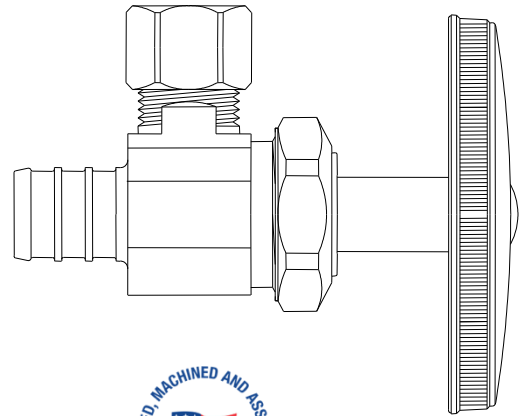
Contractor:

### BRPX09X/19X Multi-Turn Angle Stop – Barbed PEX x Compression

**Use:** For use in potable water distribution systems in accessible locations only. Not intended for recirculating water systems that produce continuous use temperatures above 115°F. For those applications, use our KT™ series ball stop.

**Design Features:**

- **Machined one-piece brass body** provides strength, durability and long-lasting performance.
- **Knurled oval handle** provides a secure grip and smooth on/off operation.
- **Easy-to-remove handle** with screw attachment helps protect against accidental stop operation during rough-ins.
- **PEX end** designed to ASTM F1807.
- **For use with** ASTM F876 PEX tubing, in ASTM F877 water distribution systems using ASTM F1807.
- **No-lead brass material** meets compliance for safe drinking.



**Operating Specifications:**

**Temperature:** 40° - 160°F

**Pressure:** 125 PSI maximum

STOP MATERIAL SPECIFICATIONS	
<b>Body</b>	Brass, plated
<b>Stem</b>	POM
<b>Bib &amp; Packing Washer</b>	Rubber
<b>Packing Nut</b>	Brass or brass, plated
<b>Handle</b>	Polycarbonate
<b>Handle Screw</b>	Steel, plated
<b>Plastic Sleeve</b>	Plastic
<b>Compression Nut</b>	Brass, plated
<b>Compression Sleeve</b>	Brass
<b>Loose Key</b>	Zinc die cast
<b>Lock Shield</b>	Brass, plated
<b>Loose Key Stem</b>	Brass, plated

**Part Listing:**

- BRPX09X C      1/2" Nom Crimp Barb (for PEX) x 3/8" OD Compression, Chrome
- BRPX09X R      1/2" Nom Crimp Barb (for PEX) x 3/8" OD Compression, Rough Brass
- BRPX19X C      1/2" Nom Crimp Barb (for PEX) x 3/8" OD Compression, Chrome
- BRPX19X C1     1/2" Nom Crimp Barb (for PEX) x 3/8" OD Compression, Chrome, Window Tray
- BRPX19X R      1/2" Nom Crimp Barb (for PEX) x 3/8" OD Compression, Rough Brass
- BRPX19TX CB    1/2" Nom Crimp Barb (for PEX) x 3/8" OD Compression, Chrome
- BRPX1BX C      3/8" Nom Crimp Barb (for PEX) x 3/8" OD Compression, Chrome
- BRPX1BX CM     3/8" Nom Crimp Barb (for PEX) x 3/8" OD Compression, Chrome, Contractor Pack

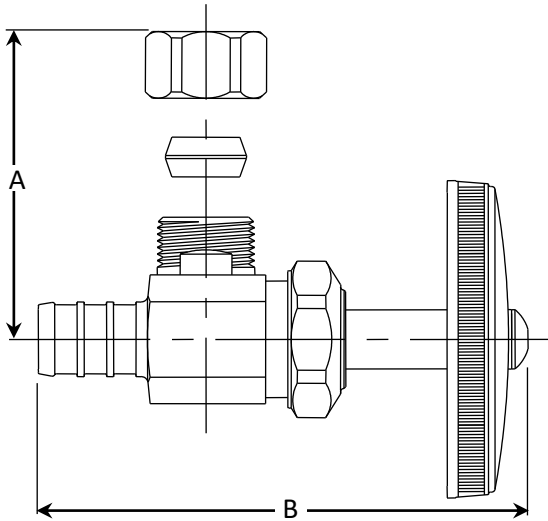
*This specification and all information contained herein is the confidential and exclusive property of BrassCraft Manufacturing Company and shall not be disclosed to others without the written consent of BrassCraft. This specification must be returned to BrassCraft if requested.*

*\*Products shown may differ from those available in the Canadian market.*



# BRPX09X/19X Multi-Turn Angle Stop – Barbed PEX x Compression

PART DIMENSIONS (Inches)		
Model	DIM A	DIM B
BRPX19X	1.06	2.79
BRPX1BX	1.06	2.85



**Listings & Certifications:**

- IAPMO listed to ASME A112.18.1 / CSA B125.1 (includes NSF/ANSI 372 and NSF/ANSI/CAN 61)



*This specification and all information contained herein is the confidential and exclusive property of BrassCraft Manufacturing Company and shall not be disclosed to others without the written consent of BrassCraft. This specification must be returned to BrassCraft if requested.*

*\*Products shown may differ from those available in the Canadian market.*

