



Submittal Sheet

Aquatic products may be specified as Lasco Bathware.

F3838PAN

CUSTOMER: _____
 JOB NAME: _____
 PO #: _____
 QUOTE #: _____ QUANTITY: _____
 SHIP TO: _____

STANDARD FEATURES

- Code compliant when fully equipped and installed according to guidelines
- Pre-leveled base
- Center drain location
- Slip resistant, textured bottom [ASTM F-462]

OPTIONS

Colors:

- Standard White
- Upgraded Almond Biscuit Bone
- Other (contact customer service for custom color options)
- Brass drain

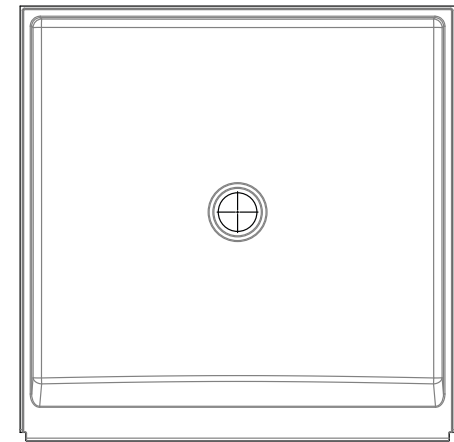
For pricing of units and additional options, reference the Aquatic Price Book.

_____/_____/_____
 PLUMBING CONTRACTOR APPROVAL DATE

_____/_____/_____
 GENERAL CONTRACTOR APPROVAL DATE

_____/_____/_____
 ENGINEER APPROVAL DATE

_____/_____/_____
 ARCHITECT APPROVAL DATE



IMPORTANT: ADA compliant showers with NO interior threshold will have water escape onto the bathroom floor. Aquatic highly recommends you take the following precautions:

1. Install only the minimum number of ADA units without an interior threshold required for each job. If possible install Aquatic's accessible models that have a 1/2" interior threshold to reduce the amount of water that escapes from the shower.
2. When installing units with NO interior threshold, install a FLOOR DRAIN to control the water that escapes onto the bathroom floor.
3. Depending on your application, you may choose to install Aquatic's vinyl flexible dam or removable threshold, which helps better retain water within the shower. However, these items may not necessarily meet ADA or other code requirements. Always confirm code compliance with your local building authority.



Int. Dim. 36 W x 36 D x 2 3/4 H
Ext. Dim. 38 W x 38 D x 4 3/4 H
Skirt Ht. 4" skirt
Packaged Wt. 35 lbs. gross
Material AcrylX™ applied acrylic
Warranty AcrylX™ Finished Products — Lifetime Limited (30 year commercial)

inches

To complete your order, this document must be signed and faxed to the Aquatic Centralized Customer Service Center.

Fax (866) 544-5353 • Phone (800) 945-2726

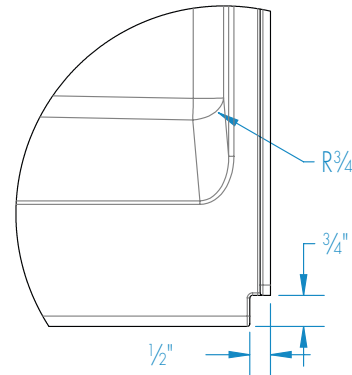
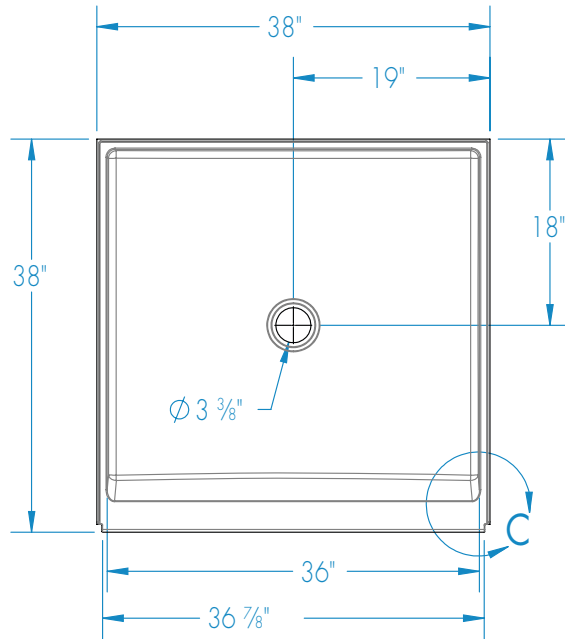


Submittal Sheet

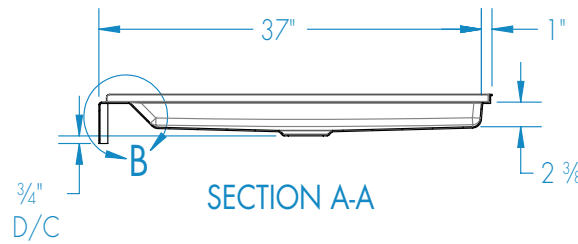
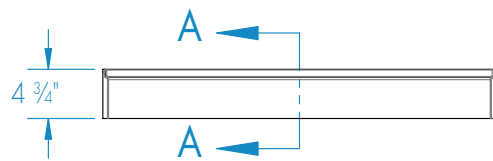
Aquatic products may be specified as Lasco Bathware.

F3838PAN

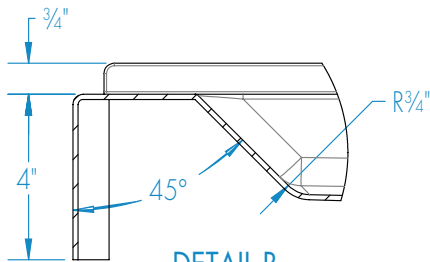
Please indicate changes needed.



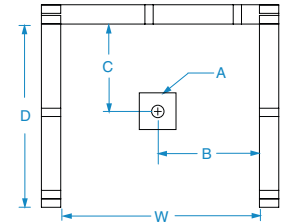
DETAIL C



SECTION A-A



DETAIL B



FRAMING DIMENSIONS inches

Type	D Depth	W Width	A	B	C
Alcove	37 1/4	38 1/8	Box Out	19	18

Installation Options:

1. Install in a recessed pit for rough-in floor installation.
2. Build sub-floor to level finished floor with top of shower threshold.

Shell tolerance: +0, -3/8" All other tolerances: ±1"