



Iron Plains® | K-20212-W

30" rectangular drop-in/undermount/vessel bathroom sink with White painted underside

Features

- Large rectangular basin
- No faucet holes; requires wall- or counter-mount faucet
- Overflow drain



Sustainability



Available Colors/Finishes

Color tiles intended for reference only.

- 0 White



Codes/Standards

ADA, CSA B651 compliant when installed to the specific requirements of these regulations.

ADA CSA B651

ASME A112.19.1/CSA B45.2

ADA

ICC/ANSI A117.1

CSA B651

Technical Information

| | |
|----------------------|--------------------|
| With Overflow: | Yes |
| Drain Hole Diameter: | 1-3/4" (44 mm) |
| Basin Configuration: | Single Bowl |
| Basin Length: | 27-13/16" (706 mm) |
| Basin Width: | 13-3/8" (340 mm) |
| Basin Depth: | 4-3/4" (121 mm) |

Material

- KOHLER® enameled cast iron
 - Painted underside in White
-

Recommended Products/Accessories

K-23726 Drain treatment

K-23725 Cast iron cleaner

Warranty

See website for detailed warranty information.

KOHLER® Enameled Cast Iron Kitchen and Bathroom Sink Lifetime Limited Warranty

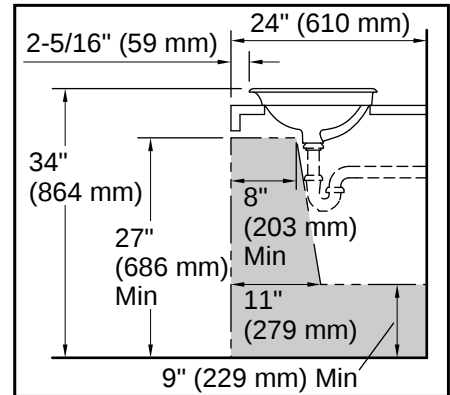
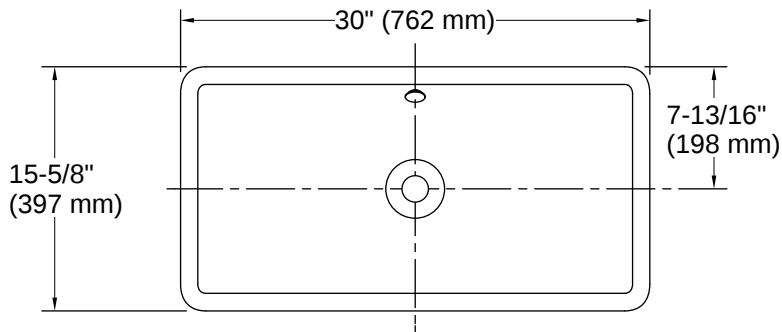


1-800-4KOHLER (1-800-456-4537)

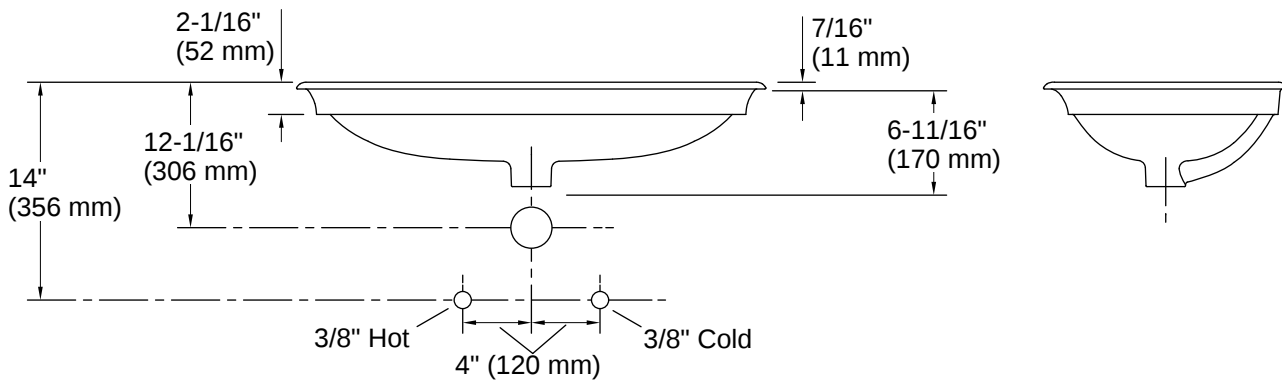
Kohler Co. reserves the right to make revisions without notice to product specifications.

For the most current specification sheet, go to www.kohler.com USA or www.kohler.ca Canada.

4-15-2026 3:23 - US-CA



Recommended ADA Installation



Installation

- Vessel, drop-in, or undermount

Installation Notes

Install this product according to the installation instructions.

NOTICE: Countertop manufacturer or cutter must use the cut-out template provided with the product, or a current one provided by Kohler Co. (call 1-800-4-KOHLER). Kohler Co. is not responsible for cutout errors when the incorrect cut-out template is used. ADA, CSA B651 compliant when installed to the specific requirements of these regulations.

