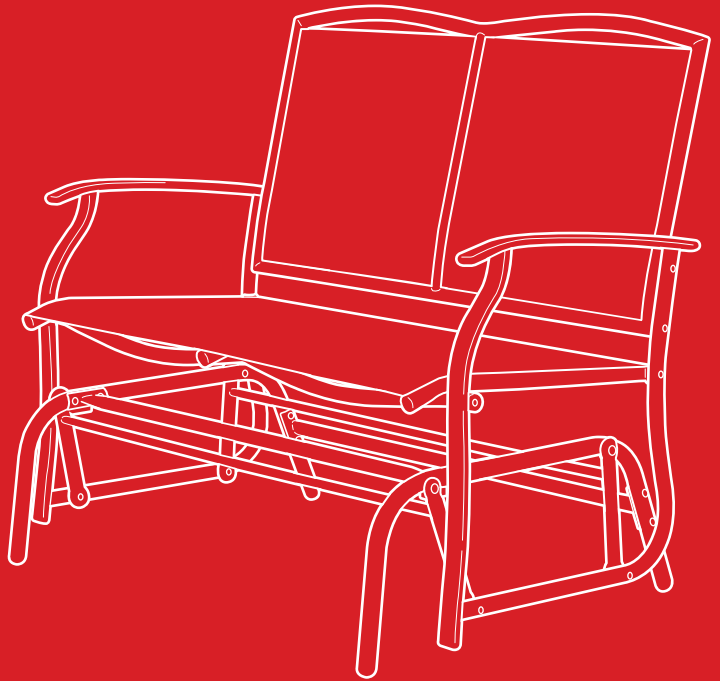




bestchoiceproducts



INSTRUCTION MANUAL

Rocking Glider Bench

NOTICE

Please retain these instructions for future reference.

- Please do not exceed the weight limitations of this item.
- Do not stand on or use any part of this item as a step ladder.
- Firmly secure all bolts, screws and knobs before use.
- Reconfirm that all bolts, screws, and knobs are secure every 90 days.
- Fasten screws loosely during initial assembly. Do not firmly tighten the screws until the item is completely assembled.
- Be aware that some parts are heavy and have sharp edges.
- If any parts are missing, broken, damaged, or worn, stop using this product until repairs are made and/or factory replacement parts are installed.
- Do not use this item in a way inconsistent with the manufacturer's instructions as this could void the product warranty.

TOOLS REQUIRED



ALLEN WRENCH
(PROVIDED)



WRENCH
(PROVIDED)



440 LBS
CAPACITY



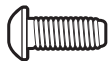
1 PERSON
ASSEMBLY



APPROXIMATELY
45 MIN.
ASSEMBLY

HARDWARE

1 M6 x 20mm
SCREW



2 PCS

2 M6 x 35mm
SCREW



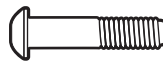
6 PCS

3 M6 x 40mm
BOLT



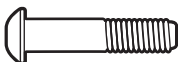
6 PCS

4 M6 x 55mm
BOLT



6 PCS

5 M6 x 60mm
BOLT



2 PCS

6 SPACER



8 PCS

7 WASHER



36 PCS

8 M6 NUT



14 PCS

9 CONCAVE
WASHER



2 PCS

10 END CAP



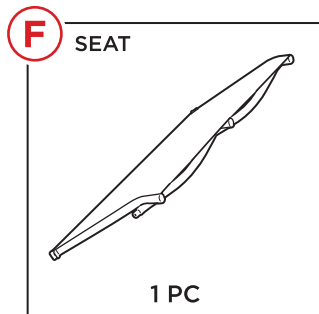
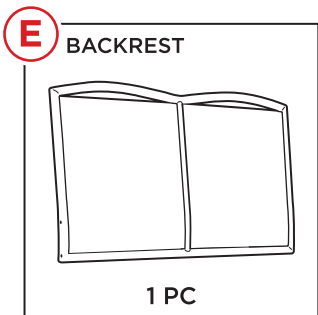
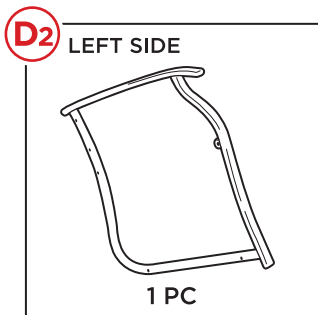
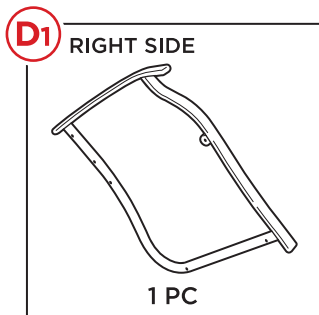
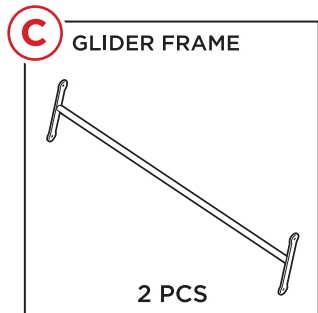
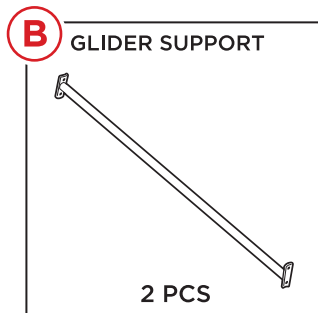
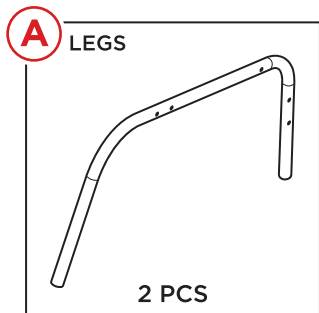
22 PCS

11 NUT CAP



14 PCS

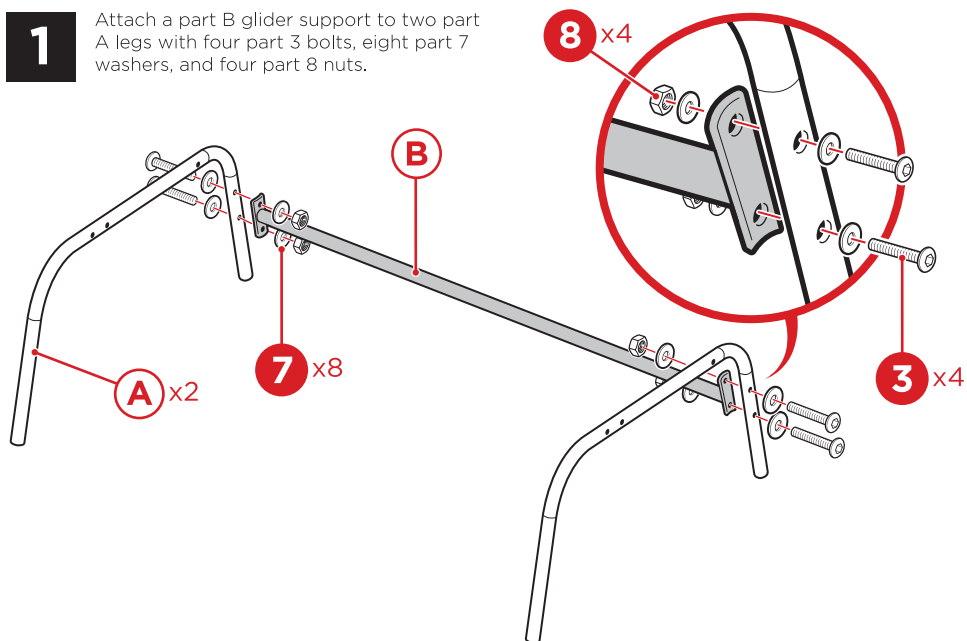
PARTS



PRODUCT ASSEMBLY

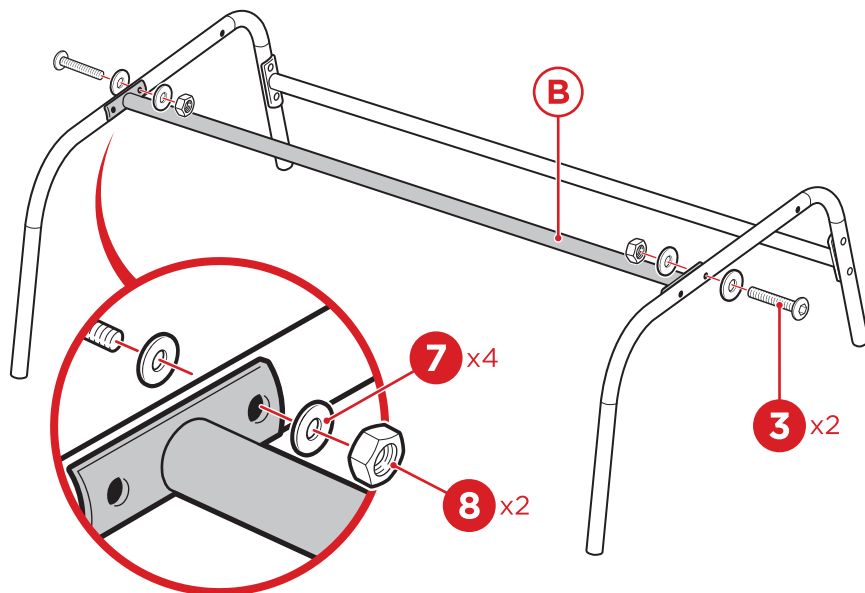
1

Attach a part B glider support to two part A legs with four part 3 bolts, eight part 7 washers, and four part 8 nuts.



2

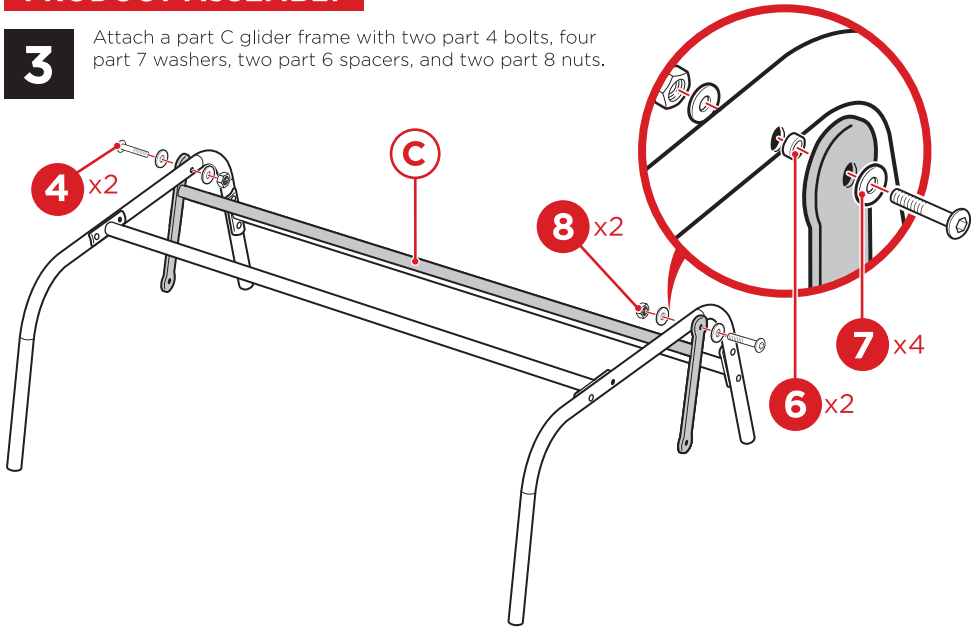
Attach another part B glider support to the legs with two part 3 bolts, four part 7 washers, and two part 8 nuts.



PRODUCT ASSEMBLY

3

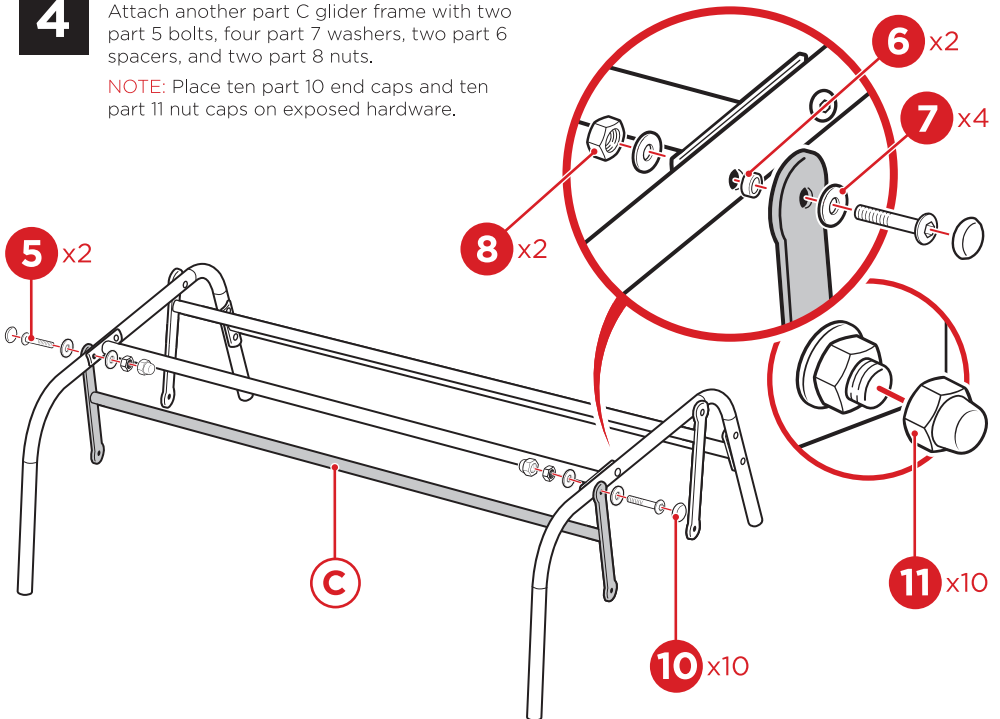
Attach a part C glider frame with two part 4 bolts, four part 7 washers, two part 6 spacers, and two part 8 nuts.



4

Attach another part C glider frame with two part 5 bolts, four part 7 washers, two part 6 spacers, and two part 8 nuts.

NOTE: Place ten part 10 end caps and ten part 11 nut caps on exposed hardware.

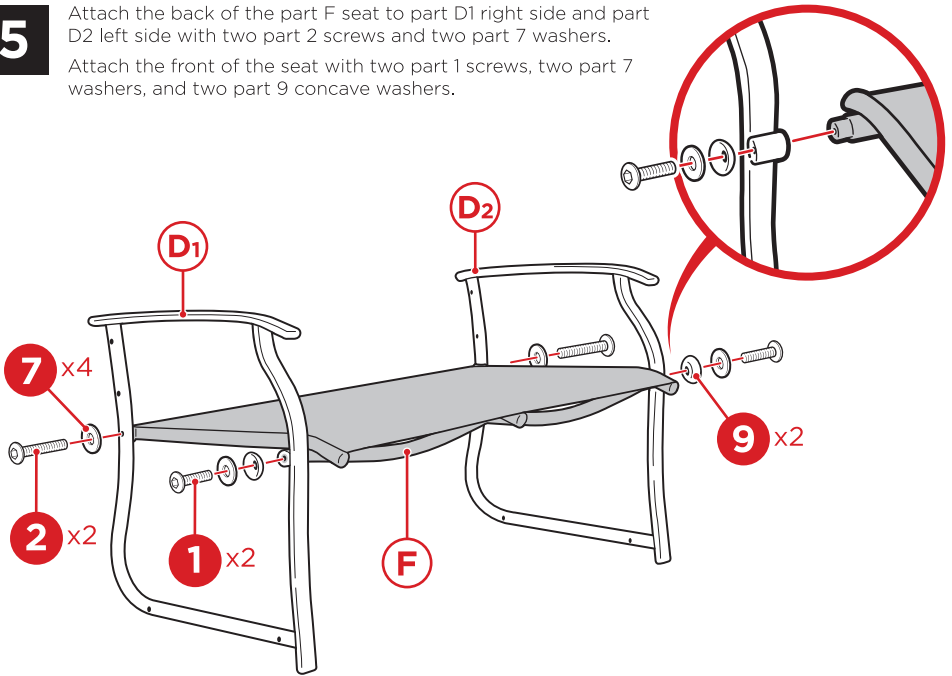


PRODUCT ASSEMBLY

5

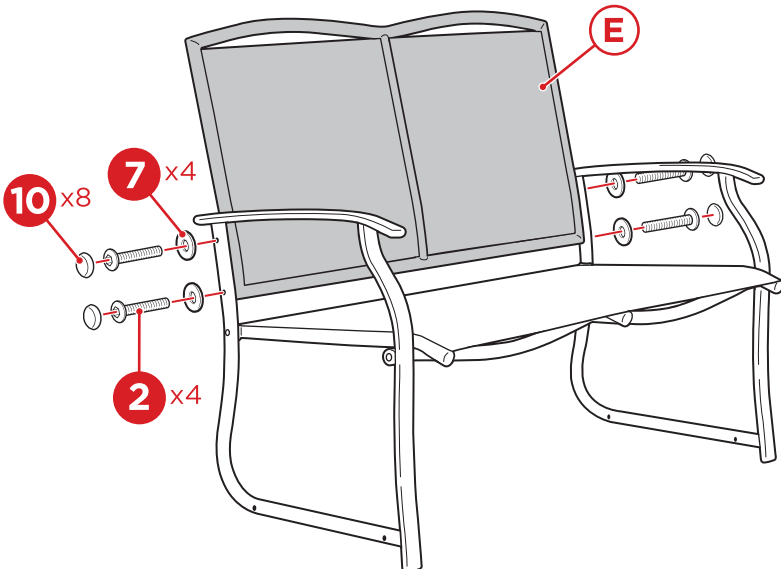
Attach the back of the part F seat to part D1 right side and part D2 left side with two part 2 screws and two part 7 washers.

Attach the front of the seat with two part 1 screws, two part 7 washers, and two part 9 concave washers.



6

Attach the part E backrest with four part 2 screws and four part 7 washers. Place eight part 10 end caps on exposed hardware.

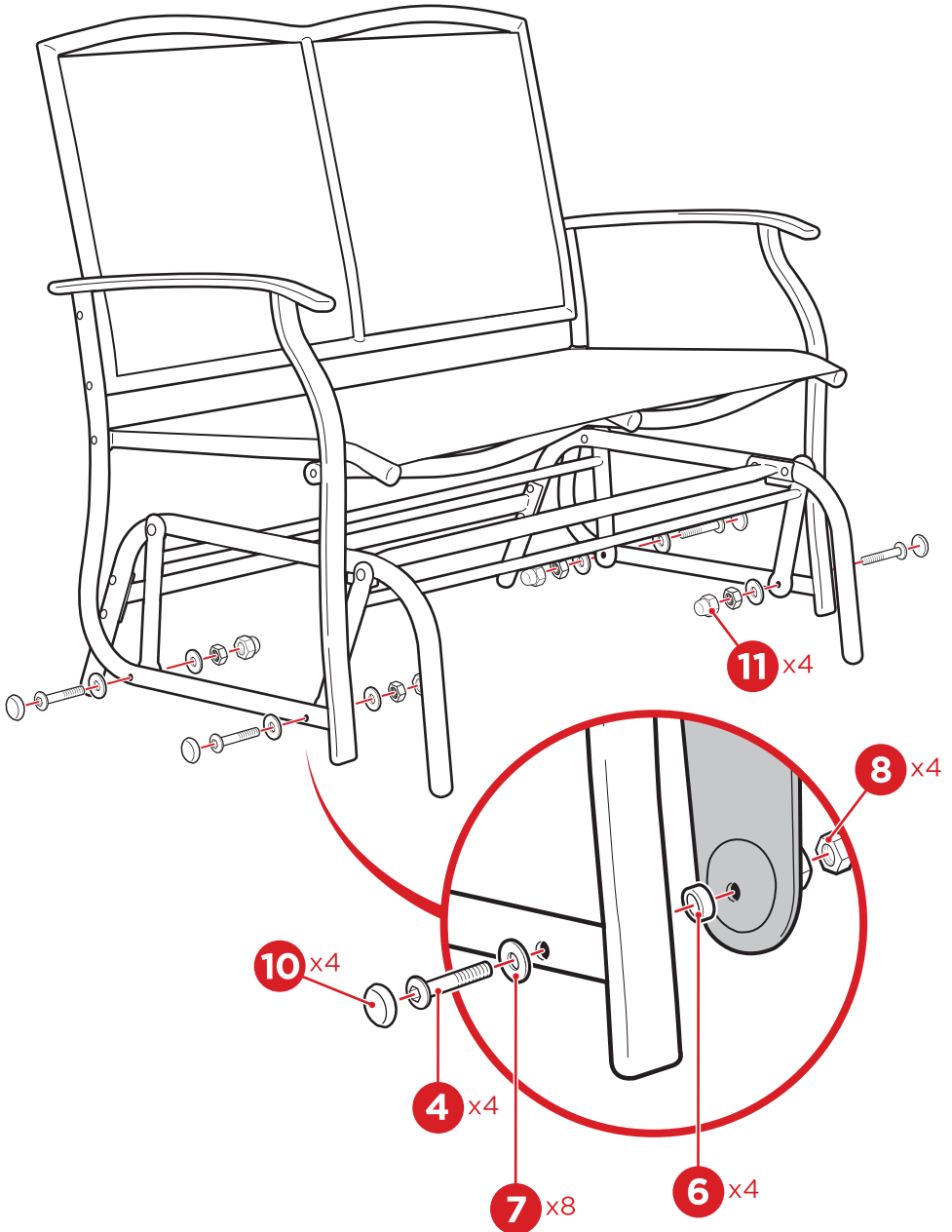


PRODUCT ASSEMBLY

7

Attach the glider assembly to the seat sides with four part 4 bolts, eight part 7 washers, four part 6 spacers, and four part 8 nuts.

NOTE: Place four part 10 end caps and four part 11 nut caps on exposed hardware.





HELP CENTER



Question about your product? We're here to help. Visit us at:

help.bestchoiceproducts.com



Chat Support



Product Inquiry



Orders FAQ



Product Assembly



Returns & Refunds

PRODUCT WARRANTY INFORMATION

All items can be returned for any reason within 60 days of the receipt and will receive a full refund as long as the item is returned in its original product packaging and all accessories from its original shipment are included. All returned items will receive a full refund back to the original payment method. All returned items will not be charged a re-stocking fee.

All returned items require an RA (Return Authorization) number, which can only be provided by a Best Choice Products Customer Service Representative when the return request is submitted. Items received without an RA may not be accepted or may increase your return processing time. Once an item has been received by Best Choice Products, refunds or replacements will be processed within 5 business days.

All returns must be shipped back to the Best Choice Products Return Center at the customer's expense. If the reason for return is a result of an error by Best Choice Products then Best Choice Products will provide a pre-paid shipping label via email. Boxes for return shipping will not be provided by Best Choice Products, and is the customer's responsibility to either use the original shipping boxes or purchase new boxes.

Pictures may be required for some returns to ensure an item is not damaged prior to its return. Items returned are not considered undamaged until they are received by Best Choice Products and verified as such. All damages to items are the customer's responsibility until the item has been received by and acknowledge by Best Choice Products as undamaged.



WARNING

Manufacturer and seller expressly disclaim any and all liability for personal injury, property damage or loss, whether direct, indirect, or incidental, resulting from the incorrect attachment, improper use, inadequate maintenance, unapproved modification, or neglect of this product.