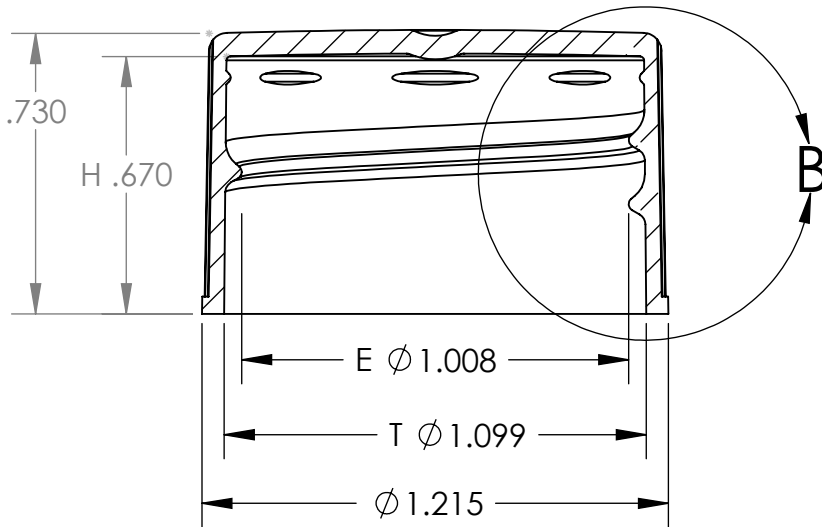
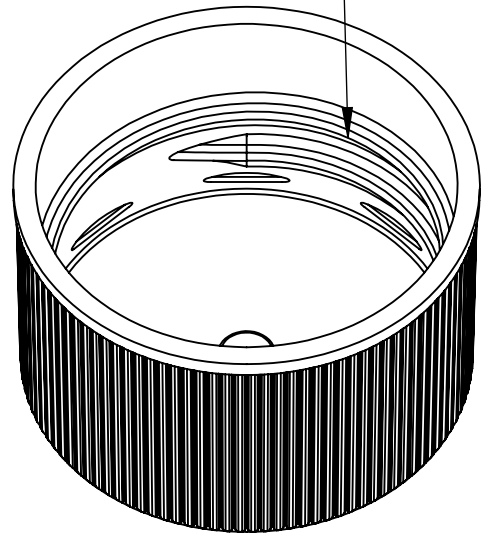


DETAIL B
SCALE 4 : 1



6 THREADS PER INCH
.167 LEAD 1 1/4 TURNS



WEIGHT = 3.6 ± .1 gram

DISCLAIMER

THIS INFORMATION IS PROVIDED AS A GENERAL GUIDE, INCLUDING DIMENSIONS. IT IS THE CUSTOMER'S RESPONSIBILITIES TO SELECT THE PROPER CONTAINER FOR PRODUCT AND APPLICATION COMPATIBILITY.

DISTRIBUTED BY:



REF NO.:

DWG31034

DESCRIPTION:

28-410 White PP Matte Top, Ribbed Sides Cap with FSM-1 Liner

Product	.020" Pulp FSM-1		
Scope	Two piece pulp backed heat induction foil innerseal that will provide a tamper-evident bond to PE containers.		
Composition	Material	Standard	Metric
	Backing	.020"	.508 mm
	Wax	-	-
	Foil	.001"	.0254mm
	PET	.0005"	.0127mm
	Heat Seal	.0015"	.0381mm

Composition does not include adhesive, resin or wax bonding layers (if any).

FDA Status: 21 CFR 177.1210	Recommended Storage and Handling: Refer to website
Drug Master File (DFM): #4544	EU / EP Reg.:
GTR Oxygen: Essentially Zero	MVTR: Essentially Zero
Print Location (if any): Foil Layer and/or Heat Seal Layer	

Materials are compliant with current USFDA Food allergen Guidelines.
Materials are compliant with California Proposition 65 labeling requirements.
Materials are compliant with limitation of heavy metals in packaging per CONEG & EU 94/62/EC, article 11.

MSDS's are not required as Pipeline Packaging is not a chemical manufacturer or distributor and our products are 'articles' intended for food packaging per 29 CFR 1910.1200 (HazCom).

The information contained within this product data bulletin is to be used as a general guide in determining which structures are offered for sealing to specific container materials. All of the information which we provide is reliable to the best of our knowledge, but the accuracy thereof is not guaranteed. We suggest that consumers determine suitability for their own application.

DISTRIBUTED BY: 	REF NO.: DWG31034
DESCRIPTION: 28-410 White PP Matte Top, Ribbed Sides Cap with FSM-1 Liner	

DISCLAIMER

THIS INFORMATION IS PROVIDED AS A GENERAL GUIDE, INCLUDING DIMENSIONS. IT IS THE CUSTOMER'S RESPONSIBILITIES TO SELECT THE PROPER CONTAINER FOR PRODUCT AND APPLICATION COMPATIBILITY.