



# Castia™ by Studio McGee | K-TS35916-4Y

Rite-Temp® shower trim kit, 2.5 gpm

## Features

- Designed in collaboration with Studio McGee
- Multifunction showerhead with advanced spray engine provides three experiences: full coverage, pulsating massage and silk spray
- 2.5 gpm (9.5 lpm) maximum flow rate
- A single handle controls both on/off activation and temperature setting
- MasterClean™ sprayface features an easy-to-clean surface that withstands mineral buildup and maximizes spray performance
- Includes shower arm and flange
- Coordinates with other products in the Castia collection
- Requires valve (sold separately)



## Available Colors/Finishes

*Color tiles intended for reference only.*

- CP Polished Chrome
- SN Vibrant Polished Nickel
- BN Vibrant Brushed Nickel
- BL Matte Black
- 2MB Vibrant Brushed Moderne Brass



1-800-4KOHLER (1-800-456-4537)  
Kohler Co. reserves the right to make revisions without notice to product specifications.  
For the most current specification sheet, go to [www.kohler.com](http://www.kohler.com) USA or [www.kohler.ca](http://www.kohler.ca) Canada.  
5-12-2026 23:29 - US-CA

THE BOLD LOOK  
OF **KOHLER**

---

## Codes/Standards

ASME A112.18.1/CSA B125.1  
DOE - Energy Policy Act 1992

---

## Warranty

See website for detailed warranty information.

KOHLER® Faucet Lifetime Limited Warranty

---

## Technical Information

All product dimensions are nominal.

### Handle

Handle Style/ Type: Lever

### Flow Rate

Shower/Rainhead Rated 2.5 gpm (9.5 l/min)  
Maximum Flow:

---

## Valves

Required Valve: Pressure Balance

---

## Material

- Premium material construction with metal handle ensures reliability and durability
  - KOHLER finishes resist corrosion and tarnishing
- 

## Recommended Products/Accessories

K-23723 Faucet cleaner

---

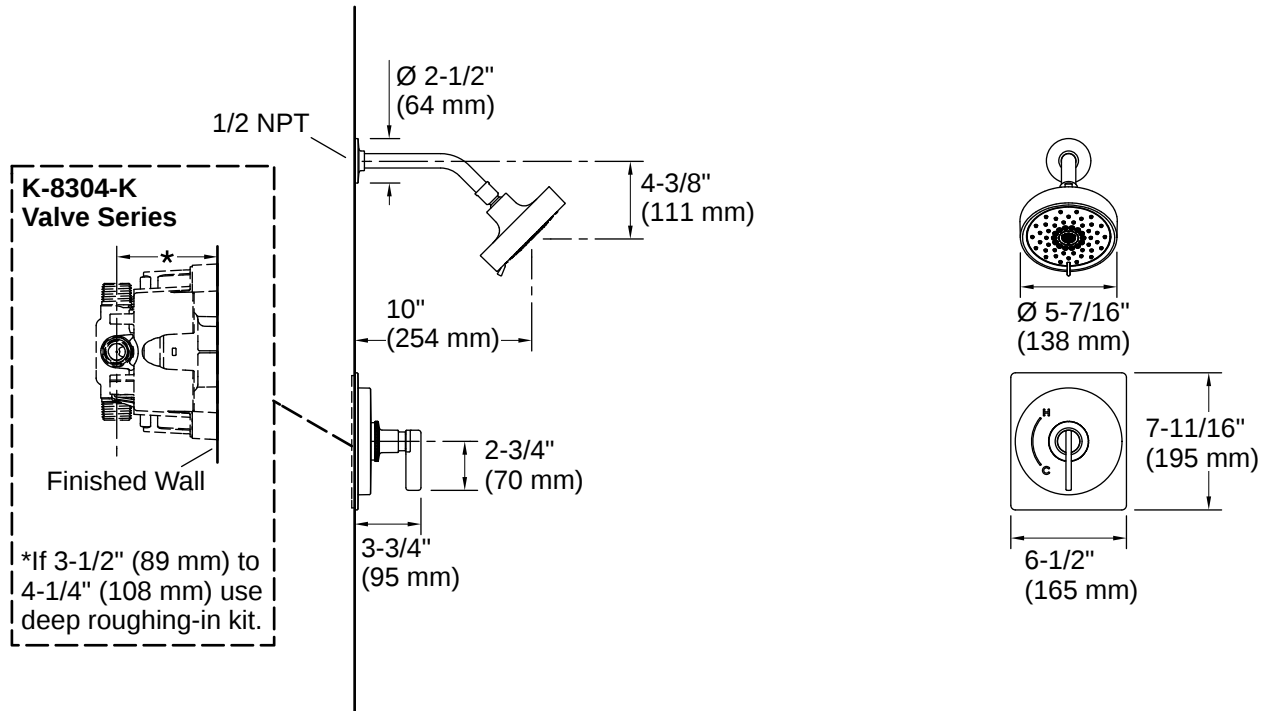
## Required Products/Accessories

- K-8304 Series Rite-Temp® Valve & Cartridge Kits
- or
- K-8300 Series Rite-Temp® Valve Body Rough-ins
  - K-8305 Series Rite-Temp® Cartridges
- or
- K-8300 Series Rite-Temp® Valve Body Rough-ins (QTY 2)
  - K-8305 Series Rite-Temp® Cartridges
- 



1-800-4KOHLER (1-800-456-4537)

Kohler Co. reserves the right to make revisions without notice to product specifications.  
For the most current specification sheet, go to [www.kohler.com](http://www.kohler.com) USA or [www.kohler.ca](http://www.kohler.ca) Canada.  
5-12-2026 23:29 - US-CA



### Installation Notes

*Install this product according to the installation instructions.*

