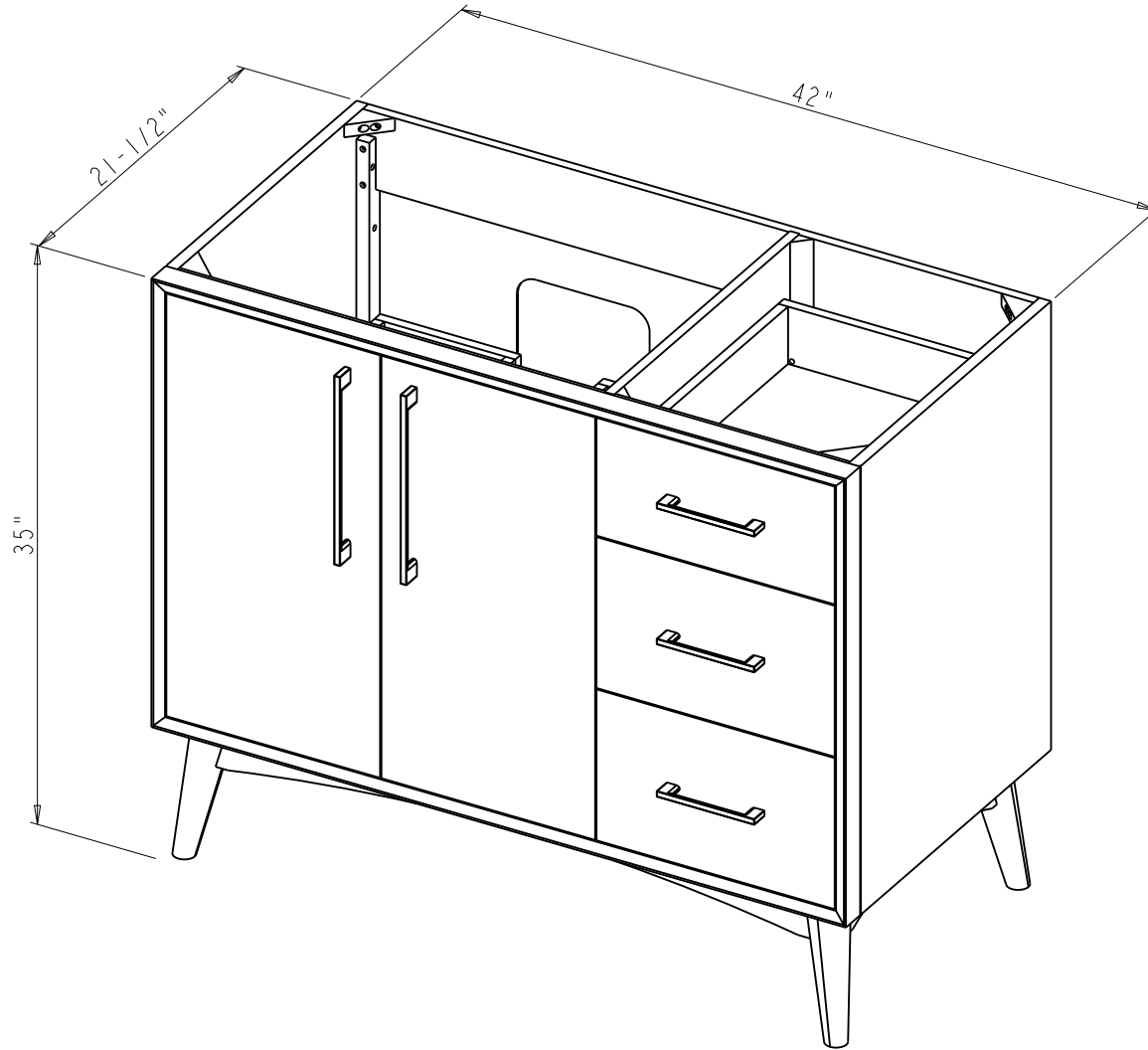



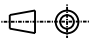
Specification:

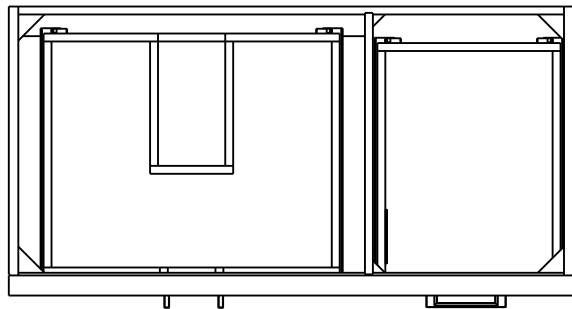
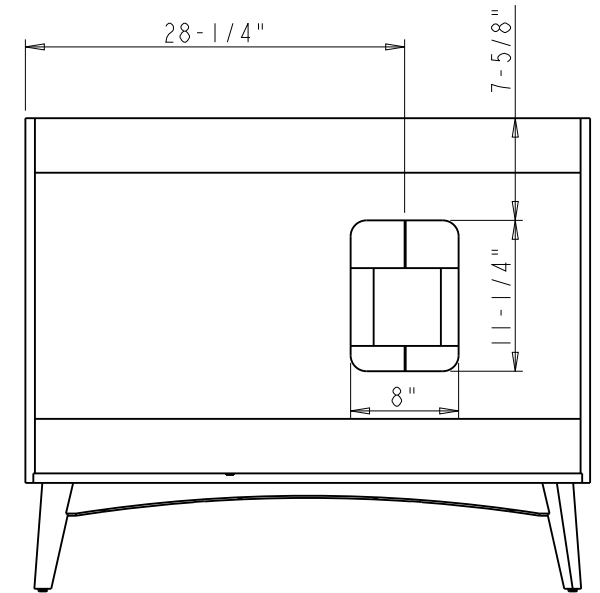
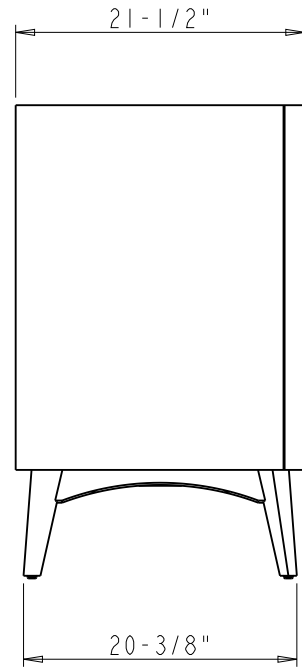
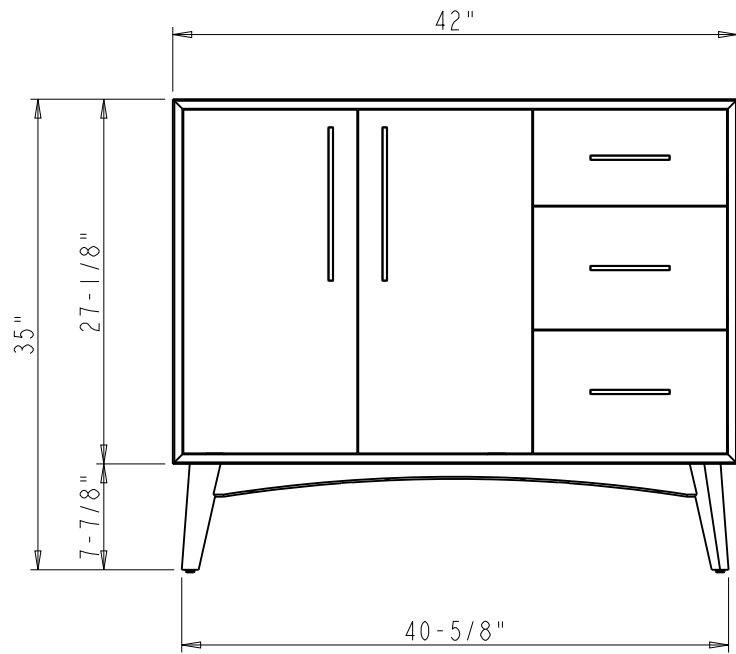
1. Finish: See Table
2. Hardware: See Table
3. Hinge: 700.0537.25 + 600.1234.05 (4 pcs)
4. Slide: USE58-300-18 + USCLIP2ND-4W (5 set)
5. leg levelers (4 pcs)
6. The tolerance is +/- 1/8"

Item number	Finish	Deco Hardware			
		Item number	Qty	Item number	Qty
VN2DAS-42-DW-NT	Dark Walnut	635-256BG	2	635-128BG	3
VN2DAS-42-NO-NT	Natural Oak	635-256MB	2	635-128MB	3
VN2DAS-42-WH-NT	White	635-256BG	2	635-128BG	3

<p>hardware resources</p> <p>PROPRIETARY AND CONFIDENTIAL</p> <p>THE INFORMATION CONTAINED IN THIS DRAWING IS THE SOLE PROPERTY OF HARDWARE RESOURCES INC. ANY REPRODUCTION IN PART OR AS A WHOLE WITHOUT THE WRITTEN PERMISSION OF HARDWARE RESOURCES INC. IS PROHIBITED.</p> <p>DO NOT SCALE DRAWING</p>	ITEM#: VN2DAS-42	MATERIAL:
	FINISH:	WEIGHT: 9
	PROJECTION	
TOLERANCE UNLESS OTHERWISE SPECIFIED: X ±0.20 X.X ±0.10 X.XX ±0.05 ANGULAR: ±0.5°	UNITS:	DRAWN BY: Hugo.cai
DATE: Jan-09-23	APPROVED BY:	DATE:
SHEET:	RELEASE LEVEL:	REVISION:



	ITEM#: VN2DAS - 42		MATERIAL:	
	FINISH:		WEIGHT:	
<p>PROPRIETARY AND CONFIDENTIAL</p> <p>THE INFORMATION CONTAINED IN THIS DRAWING IS THE SOLE PROPERTY OF HARDWARE RESOURCES INC. ANY REPRODUCTION IN PART OR AS A WHOLE WITHOUT THE WRITTEN PERMISSION OF HARDWARE RESOURCES INC. IS PROHIBITED.</p>	UNITS:		DRAWN BY:	DATE:
	TOLERANCE UNLESS OTHERWISE SPECIFIED:		<i>Hugo.cai</i>	
	X ±0.20		APPROVED BY:	DATE:
	X.X ±0.10		PROJECTION 	
X.XX ±0.05		RELEASE LEVEL:		REVISION:
ANGULAR: ±0.5°		SHEET:		DO NOT SCALE DRAWING
DATE: Jan-09-23				



	ITEM#: VN2DAS-42		MATERIAL:		
	FINISH:		WEIGHT:		
<p>PROPRIETARY AND CONFIDENTIAL</p> <p>THE INFORMATION CONTAINED IN THIS DRAWING IS THE SOLE PROPERTY OF HARDWARE RESOURCES INC. ANY REPRODUCTION IN PART OR AS A WHOLE WITHOUT THE WRITTEN PERMISSION OF HARDWARE RESOURCES INC. IS PROHIBITED.</p>	TOLERANCE UNLESS OTHERWISE SPECIFIED:		UNITS:	DRAWN BY:	DATE:
	X ±0.20		APPROVED BY: RELEASE LEVEL: SHEET:	APPROVED BY: RELEASE LEVEL: SHEET:	DATE: REVISION:
	X.X ±0.10				
	X.XX ±0.05				
ANGULAR: ±0.5°		DO NOT SCALE DRAWING			

