



# Windham™

Two-piece elongated 1.6 gpf toilet  
**402324**

### Features

- Two-piece design
- Elongated bowl offers added room and comfort
- Standard height
- 1.6 gpf (6.0 lpf)
- Left-hand Polished Chrome trip lever
- 2-1/8" (54 mm) fully glazed trapway
- Combination consists of toilet bowl and tank
- Pro Force® Plus flushing technology delivers greater flushing power than previous Pro Force® models

### Installation

- Three-bolt quick-connect installation
- Standard 12" (305 mm) rough-in
- Seat and supply line sold separately

### Recommended Products/Accessories

- K-20110 Brevia™ Quiet-Close™ elongated toilet seat
- K-9466-L Left-Hand Trip Lever
- K-5420 Low-Profile Bolt Caps
- K-23726 Drain treatment

### Included Components

- 403217 Elongated toilet bowl
- 402363 Toilet tank



### Codes/Standards

- ASME A112.19.2/CSA B45.1
- DOE - Energy Policy Act 1992


### STERLING® Toilet Limited Warranty

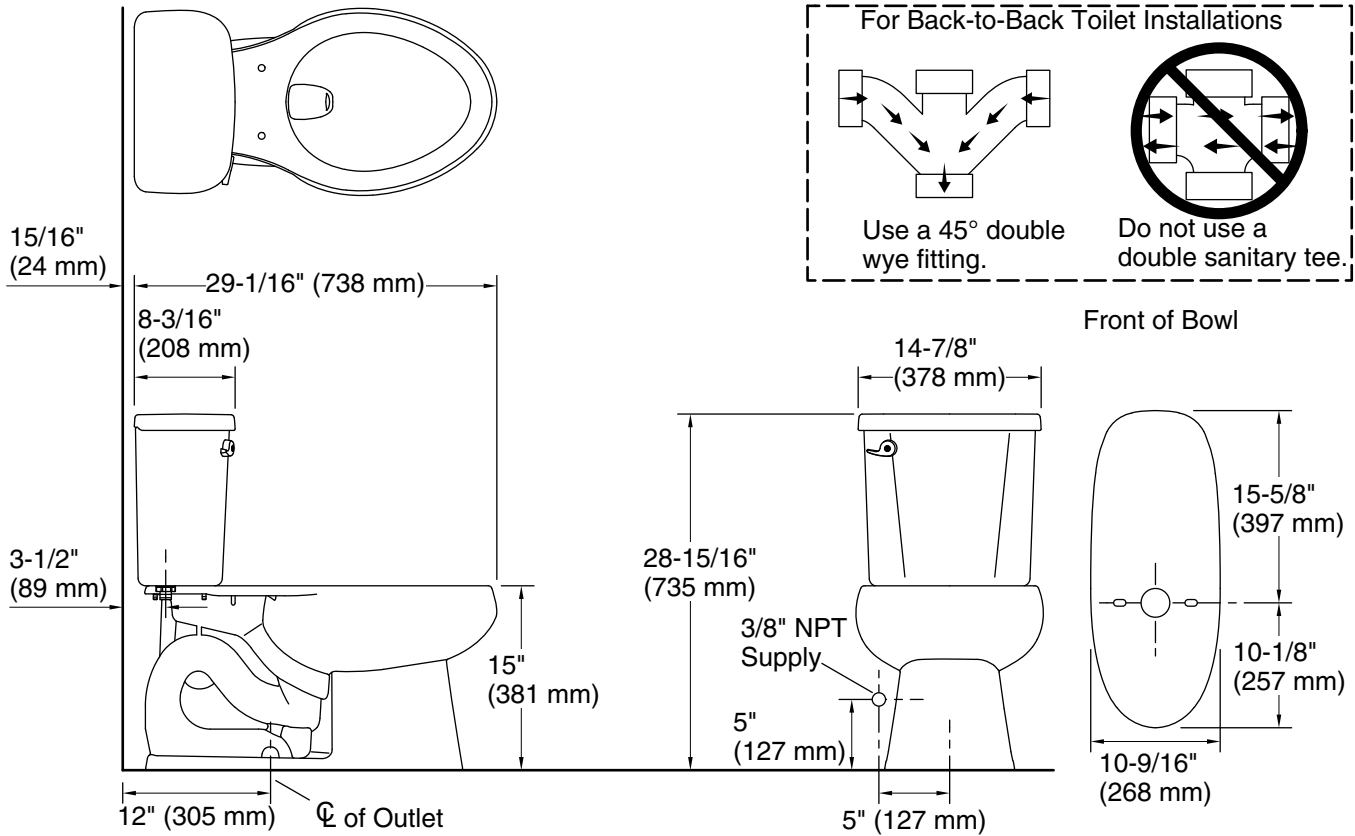
See website for detailed warranty information.

### Available Colors/Finishes

*Color tiles intended for reference only.*

Color	Code	Description
-------	------	-------------

	0	White
---	---	-------



**Technical Information**

All product dimensions are nominal.

- Toilet type: Floor-mount
- Waste Outlet: Floor
- Bowl shape: Elongated
- Flush type: ProForce Plus
- Trap passageway: 2-1/8" (54 mm)
- Rough-in: 12" (305 mm)

**Notes**

- Install this product according to the installation instructions.
- For back-to-back toilet installations: Use only a 45° double wye fitting.
- Product dimensions are nominal and may vary per ASME A112.19.2 tolerances.