

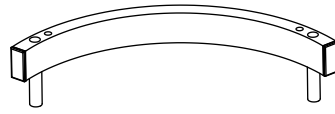

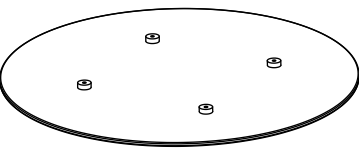
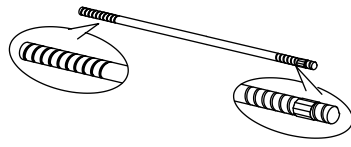
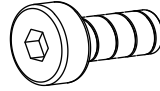
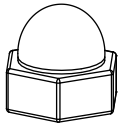
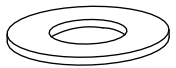
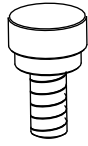
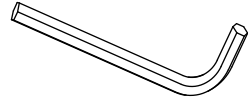
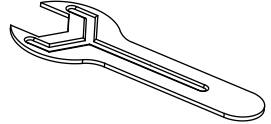
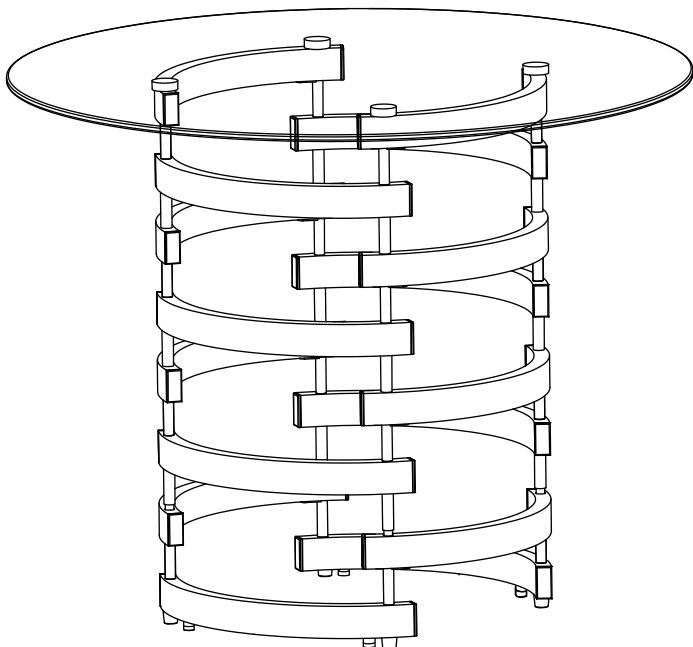


ASSEMBLY INSTRUCTION

CHOP COUNTER HEIGHT TABLE

A Stretcher  2pcs	B Stretcher  6pcs	C Stretcher  6pcs	D Stretcher  2pcs
E Glass Top (In other carton)  1pc	F Long Bolt W/Stopper  4pcs	G Bolt 3/16" X 3/8"  16pcs	H Nut  4pcs
I Flat Washer  4pcs	J Leveler  4pcs	K Allen Wrench  1pc	L Open Wrench  1pc

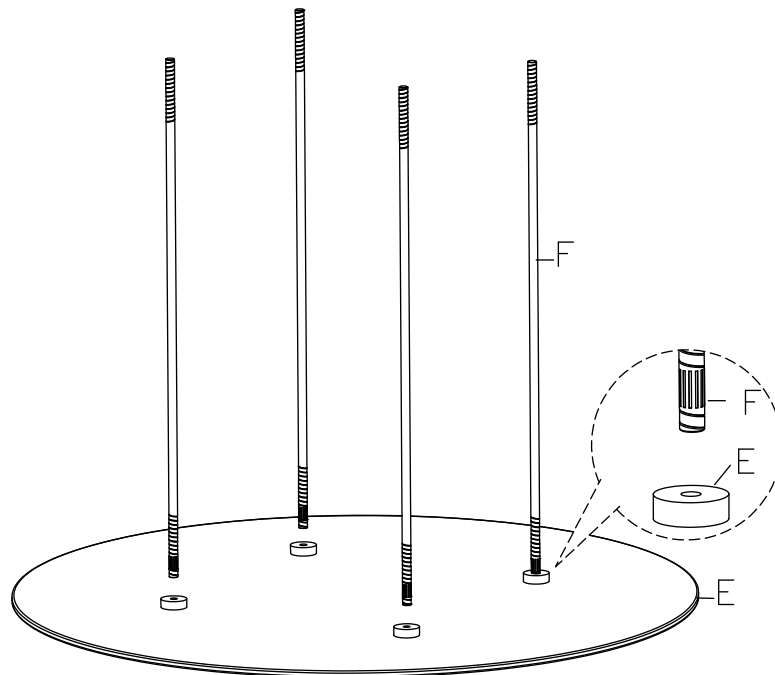


This page lists all the contents included in the box. Please take the time to identify the hardware as well as the individual components to this product. As you unpack and prepare for assembly, place the contents on a carpeted or padded area to protect them from damage.

***** Do not tighten screws & bolts until the entire unit is completely assembled.**

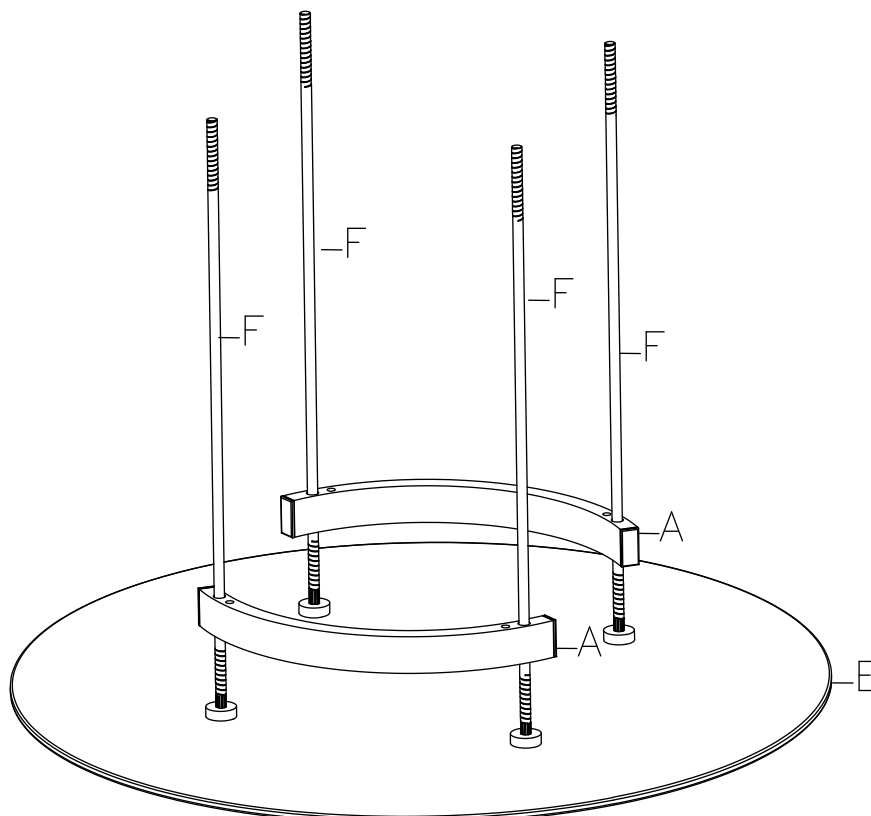
1

Screw long bolts (F) into corresponding holes on the glass top (E) as shown and tighten it.

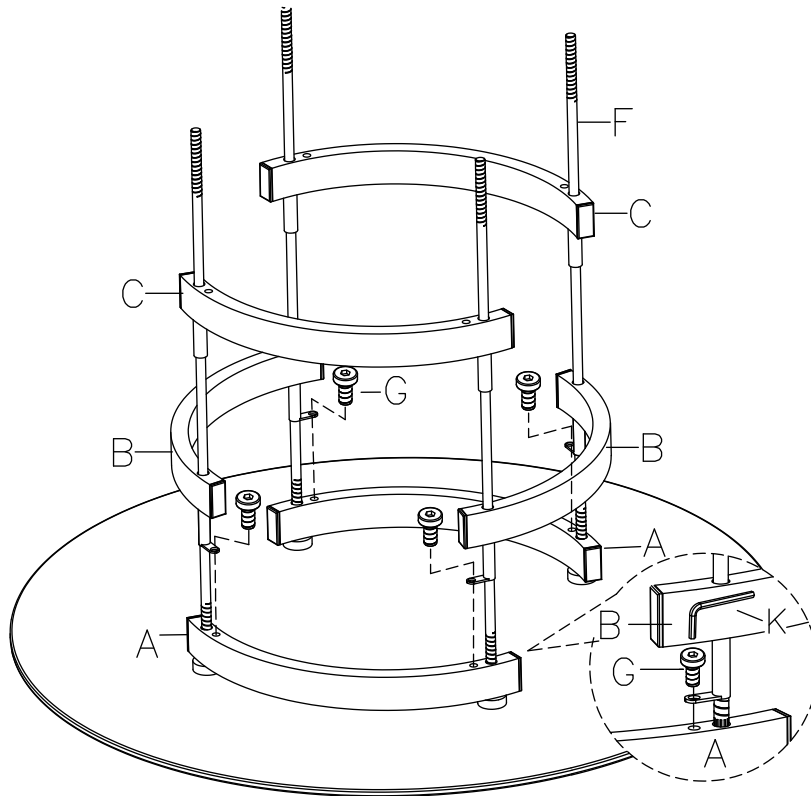


2

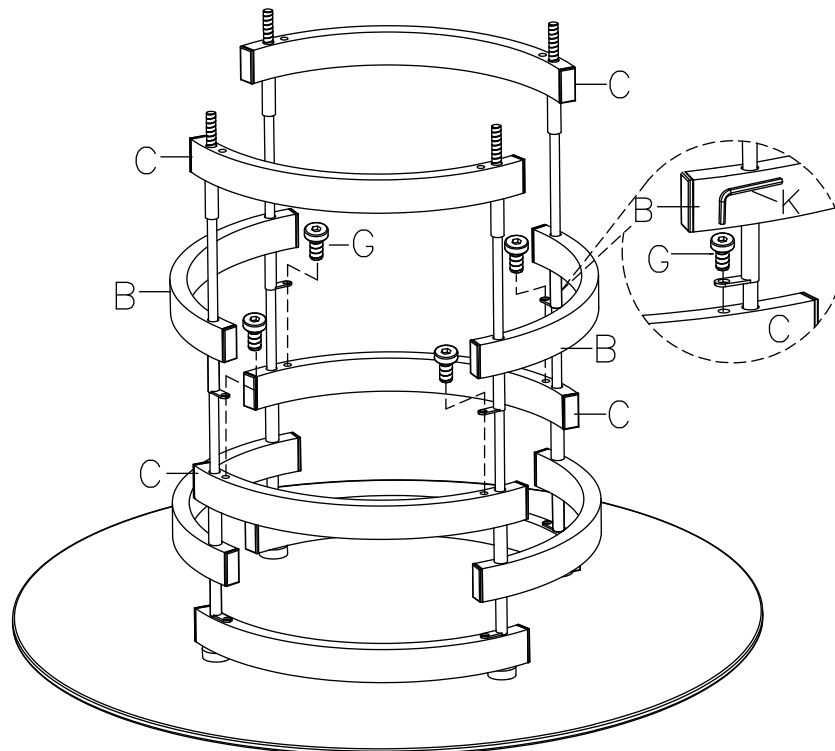
Insert attached long bolts (F) through the corresponding holes on stretchers (A) as shown below.



- 3** Insert attached long bolts (F) through the corresponding holes on stretchers (B) and fix stretchers (B) to stretchers (A) using bolts (G) and allen wrench (K). Then, Insert attached long bolts (F) through the corresponding holes on stretchers (C).

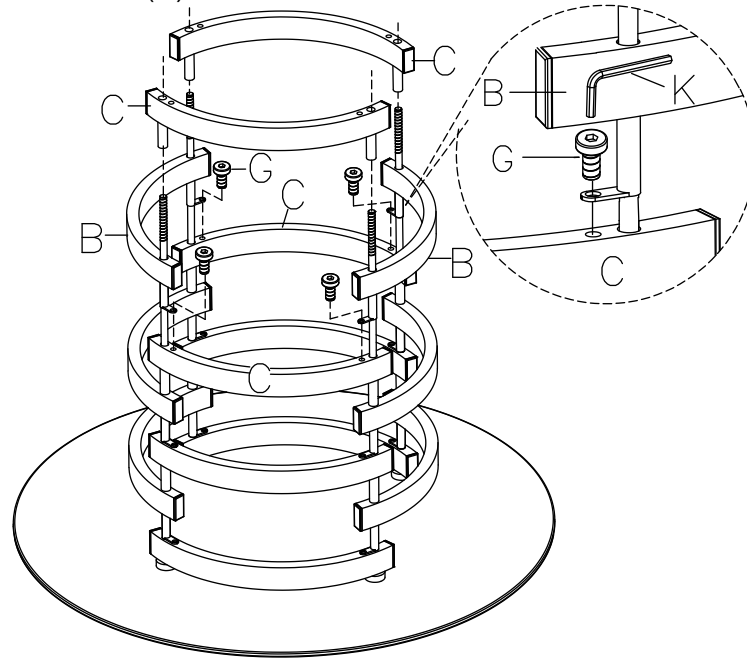


- 4** Insert attached long bolts (F) through the corresponding holes on stretchers (B) and fix stretchers (B) to stretchers (C) using bolts (G) and allen wrench (K). Then, Insert attached long bolts (F) through the corresponding holes on stretchers (C).

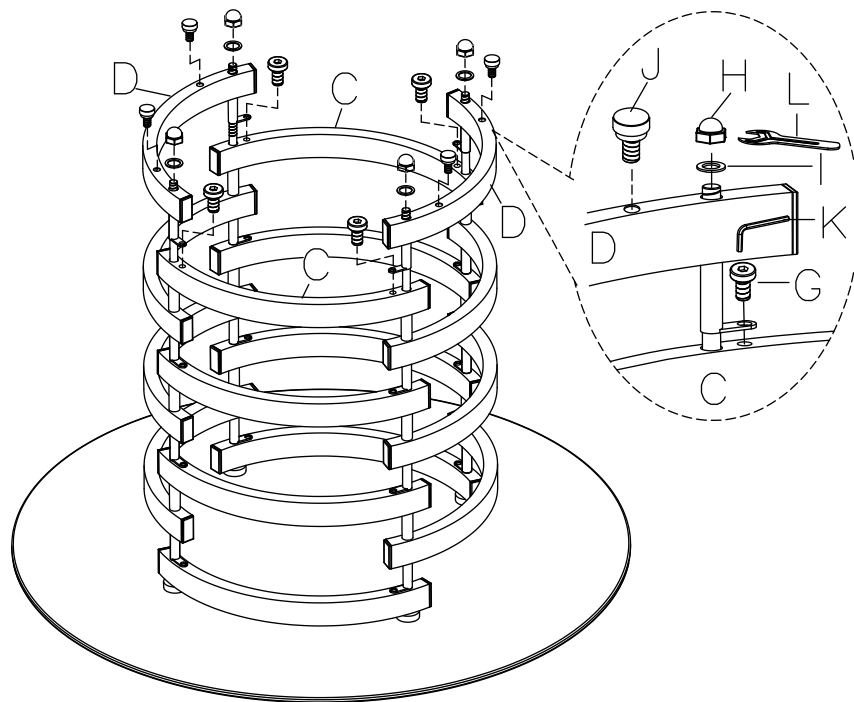


5

Insert attached long bolts (F) through the corresponding holes on stretchers (B) and fix stretchers (B) to stretchers (C) using bolts (G) and allen wrench (K). Then, Insert attached long bolts (F) through the corresponding holes on stretchers (C).

**6**

Insert attached long bolts (F) through the corresponding holes on stretchers (D) and fix stretchers (D) to stretchers (C) using bolts (G) and allen wrench (K). Fix the frame firmly using flat washers (I) and nuts (H) with open wrench (L). Then, attach leveler (J) to the bottom of stretchers (D) as shown and tighten bolts firmly. Carefully, turn the assembled unit upright. The chop counter height table is now complete.



Cleaning & Care

Treat surface with care. Surface is resistant to scratches but is not scratch resistant. Clean surfaces with a dry or damp soft cloth. Do not use abrasive cleaners. Hardware may loosen over time. Periodically check that all connections are tight.