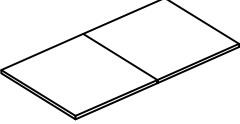
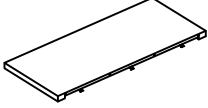
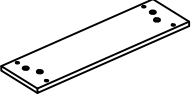
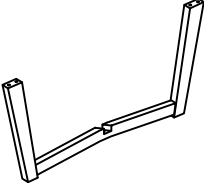
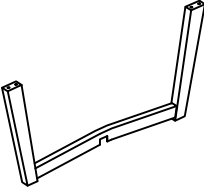




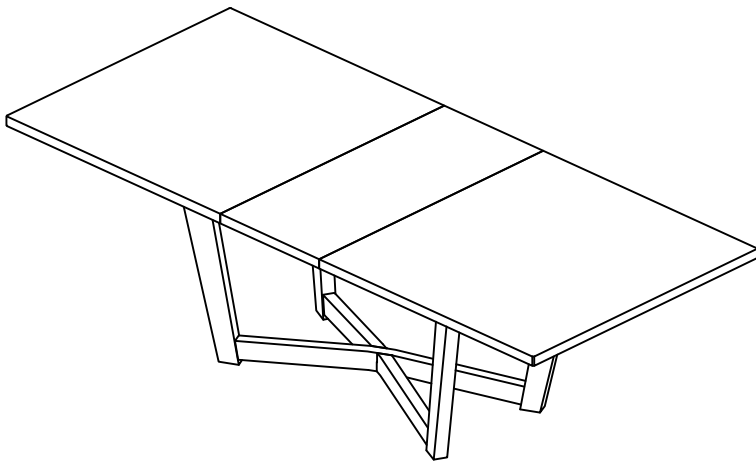


ASSEMBLY INSTRUCTIONS

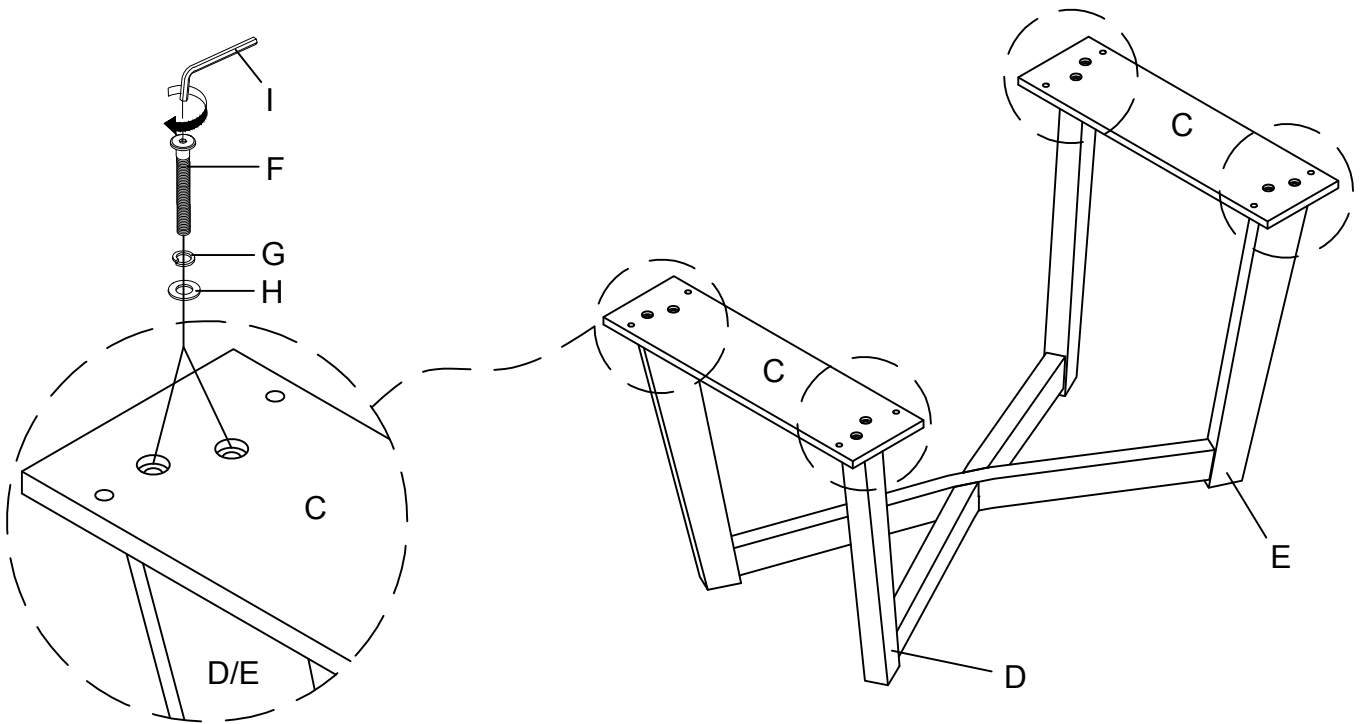
DINING TABLE 78"-96" WITH LEAF

A Table Top  1 pc	B Leaf  1 pc	C Mounting Plate  2 pcs	D Leg (Up)  1 pc	E Leg (Down)  1 pc
F Allen Bolt Ø5/15"x45mm  17 pcs	G Lock Washer Ø5/16"x12mm  17 pcs	H Flat Washer Ø5/16"x19mm  17 pcs	I Allen Key 4mm  1 pc	

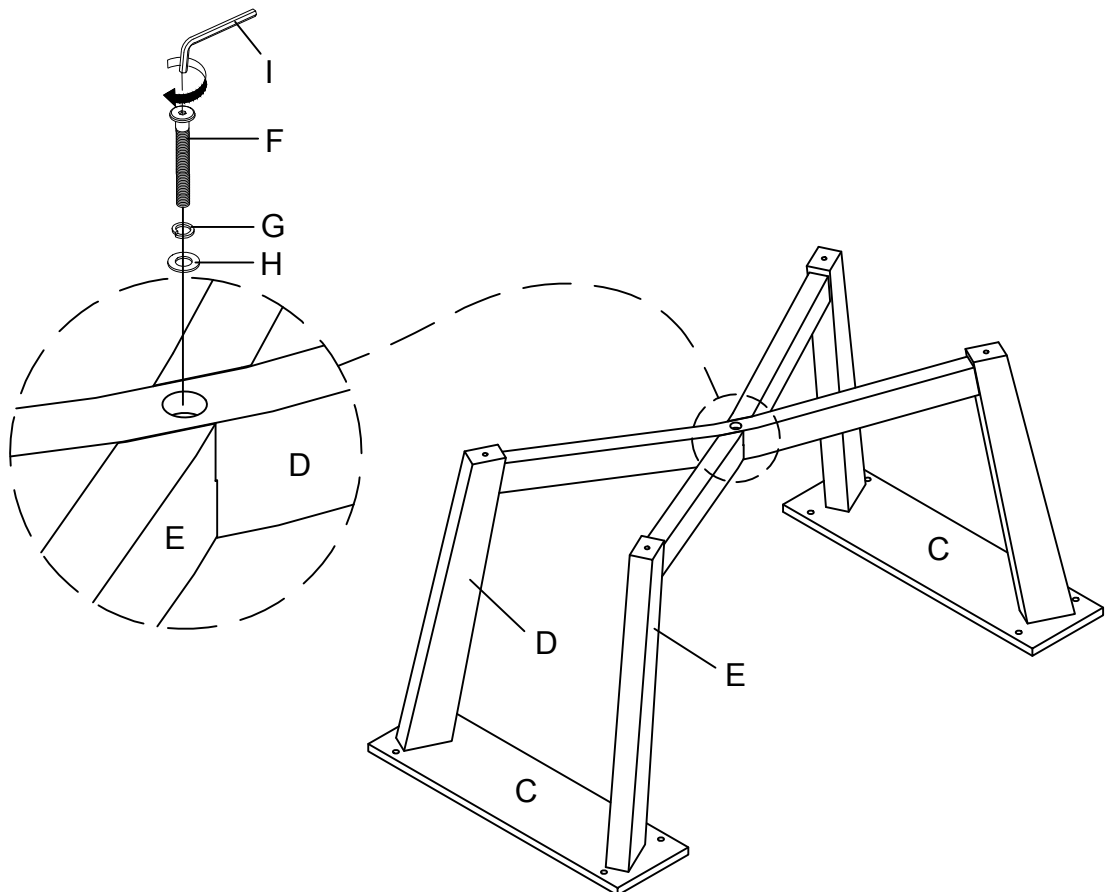


This page lists all the contents included in the box. Please take the time to identify the hardware as well as the individual components to this product. As you unpack and prepare for assembly, place the contents on a carpeted or padded area to protect them from damage.

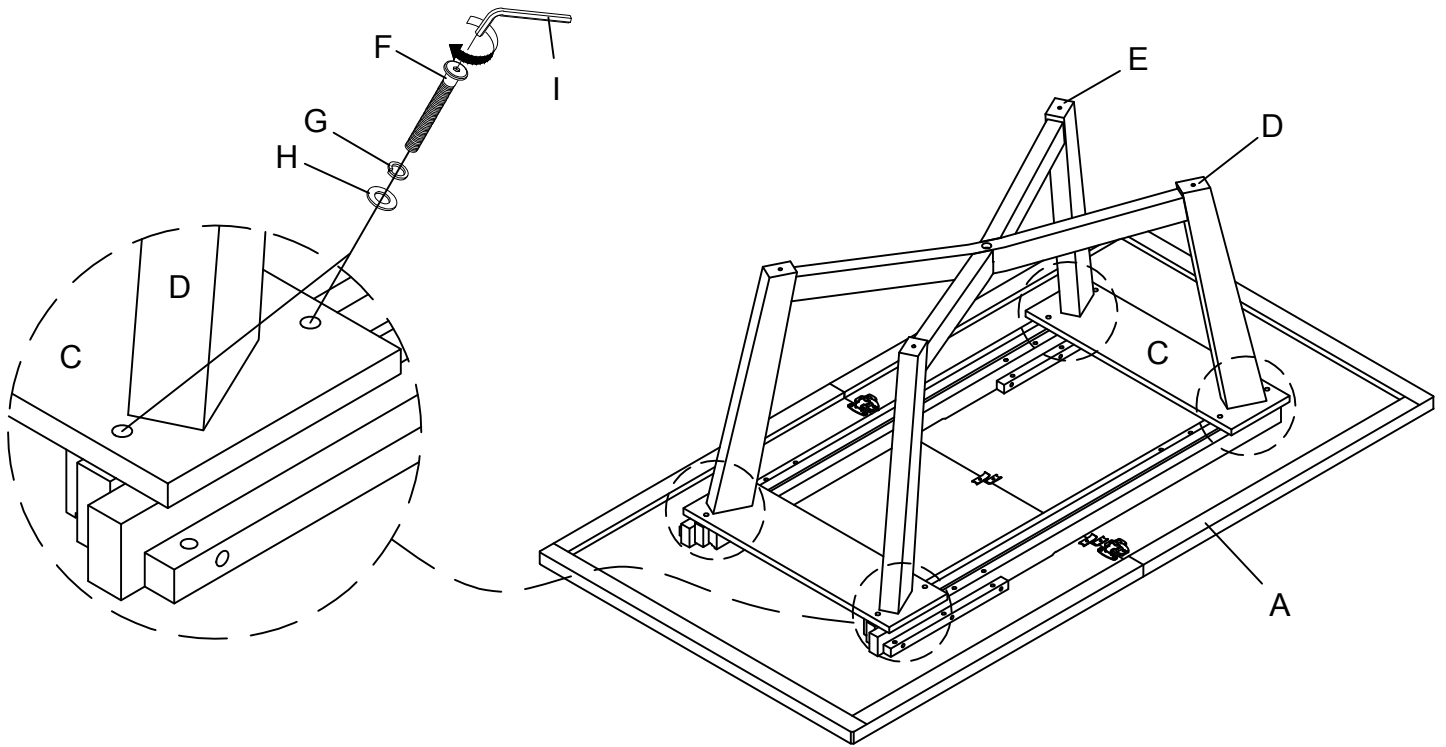
- 1** Attach Leg (Up) (D) and Leg (Down) (E) together. Then attach Mounting Plate (C) to Leg (D & E) by Allen Bolt (F), Lock Washer (G), Flat Washer (H) and Allen Key (I).



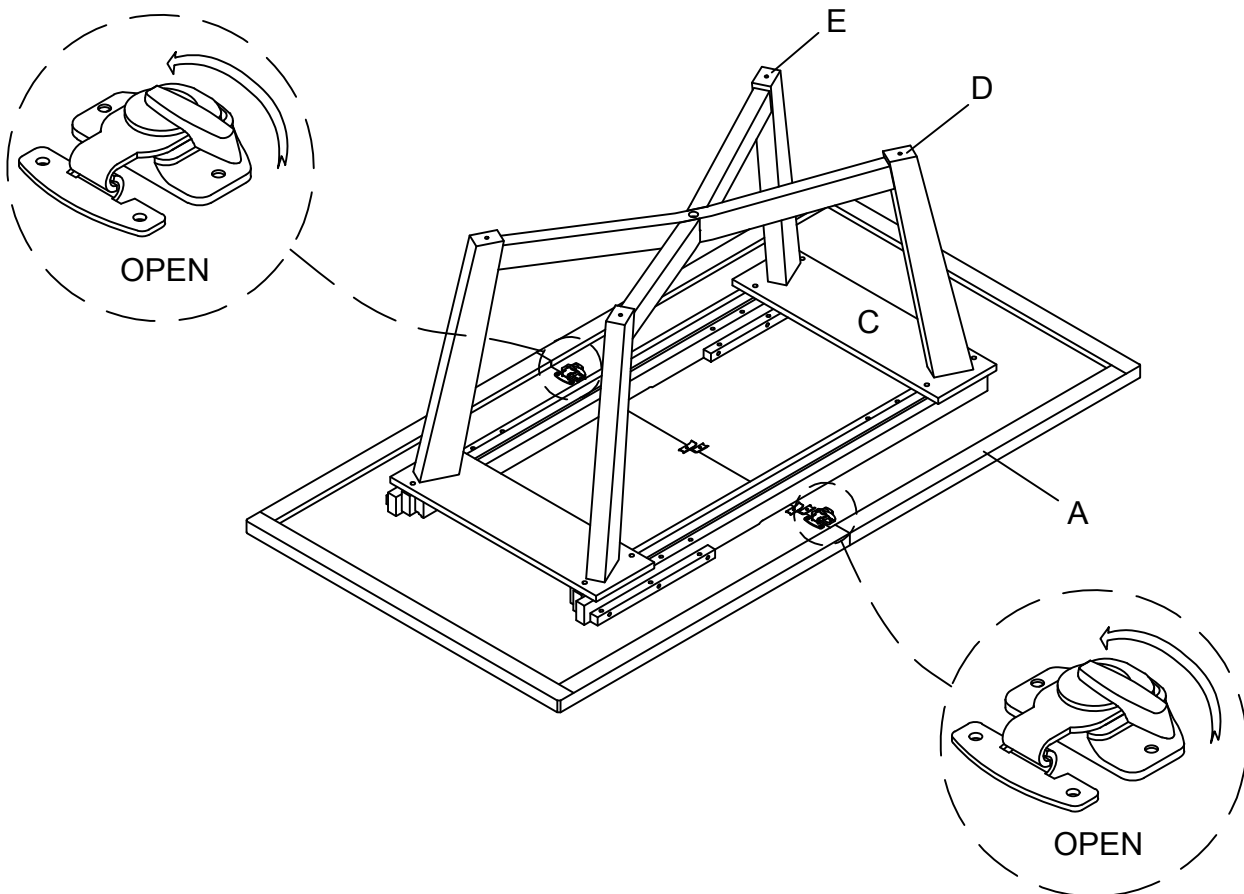
- 2** Lock Allen Bolt (F), Lock Washer (G), Flat Washer (H) on the holes of Leg (D & E) by Allen Key (I).



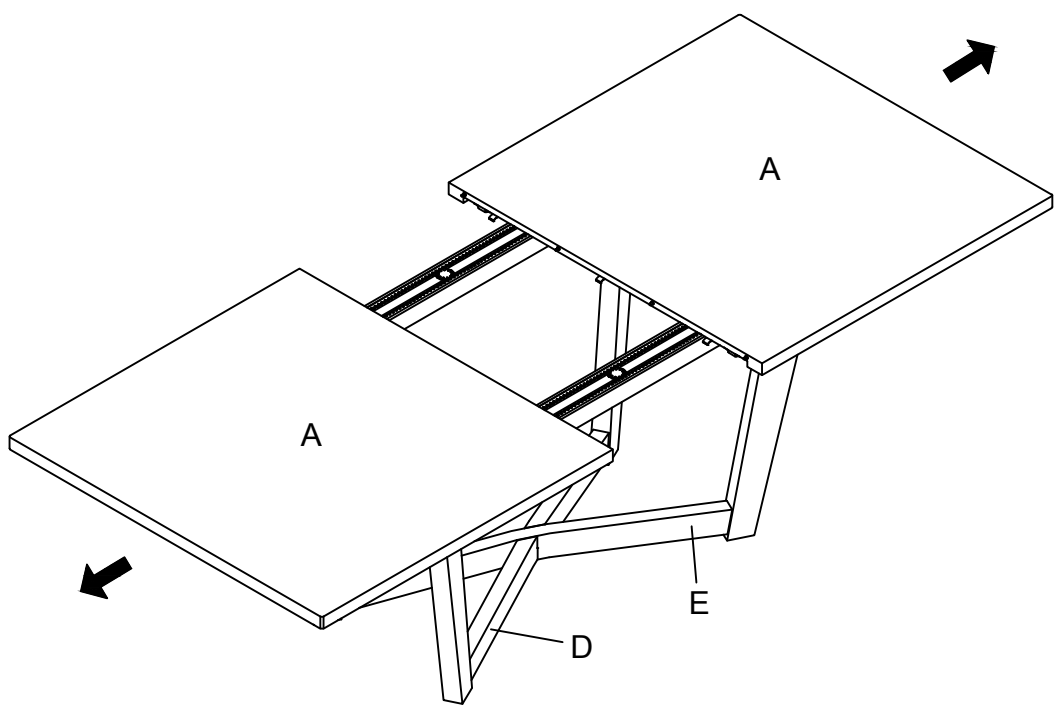
- 3** Attach Mounting Plate (C) to the Table Top (A) by Allen Bolt (F), Lock Washer (G), Flat Washer (H) and Allen Key (I).



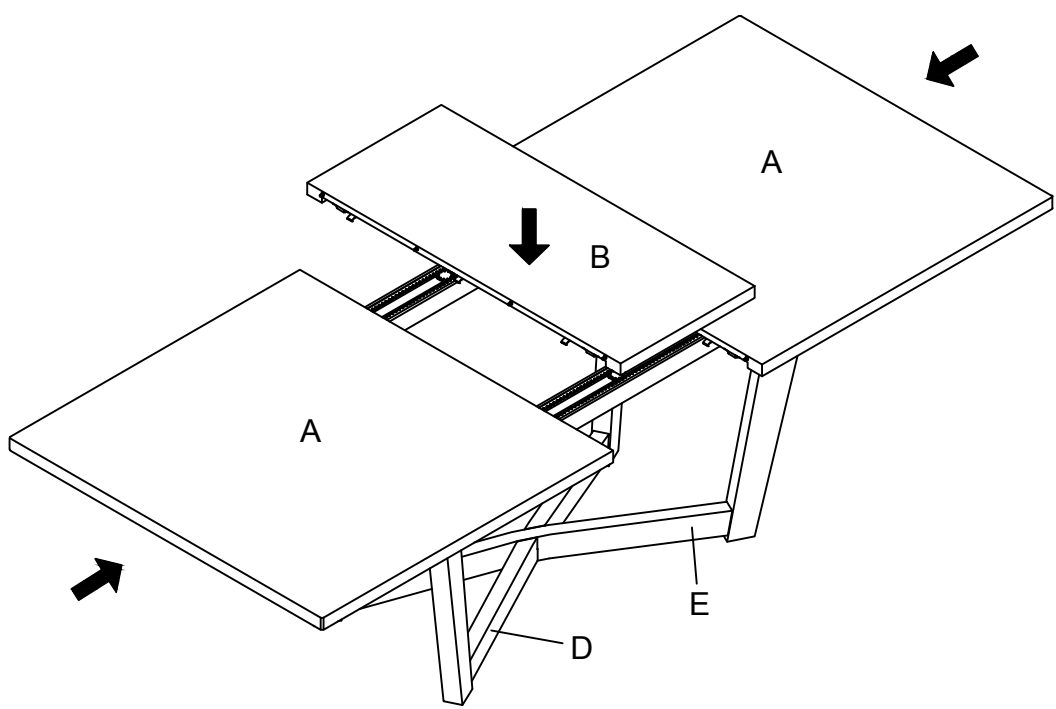
- 4** Open the Sash Lock on the Table Top (A).



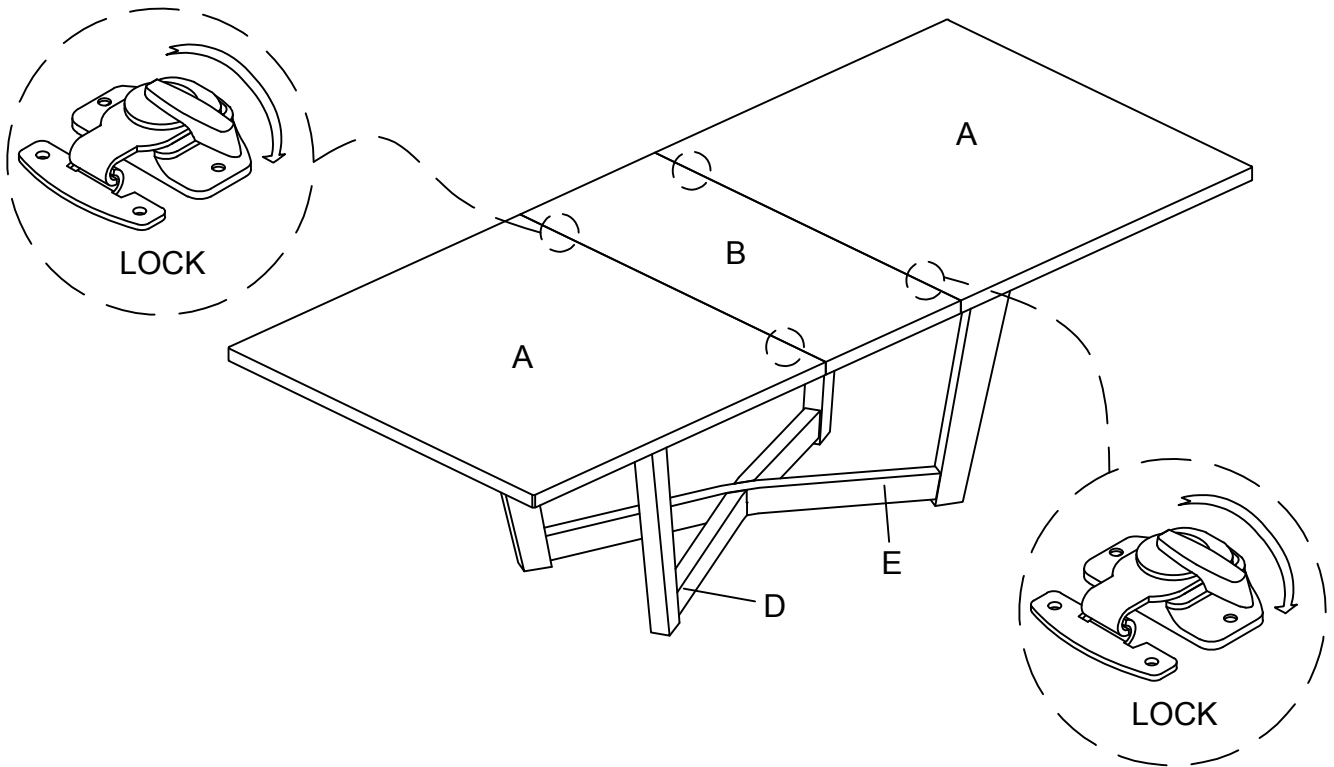
5 Pull out the Table Top (A) from each side.



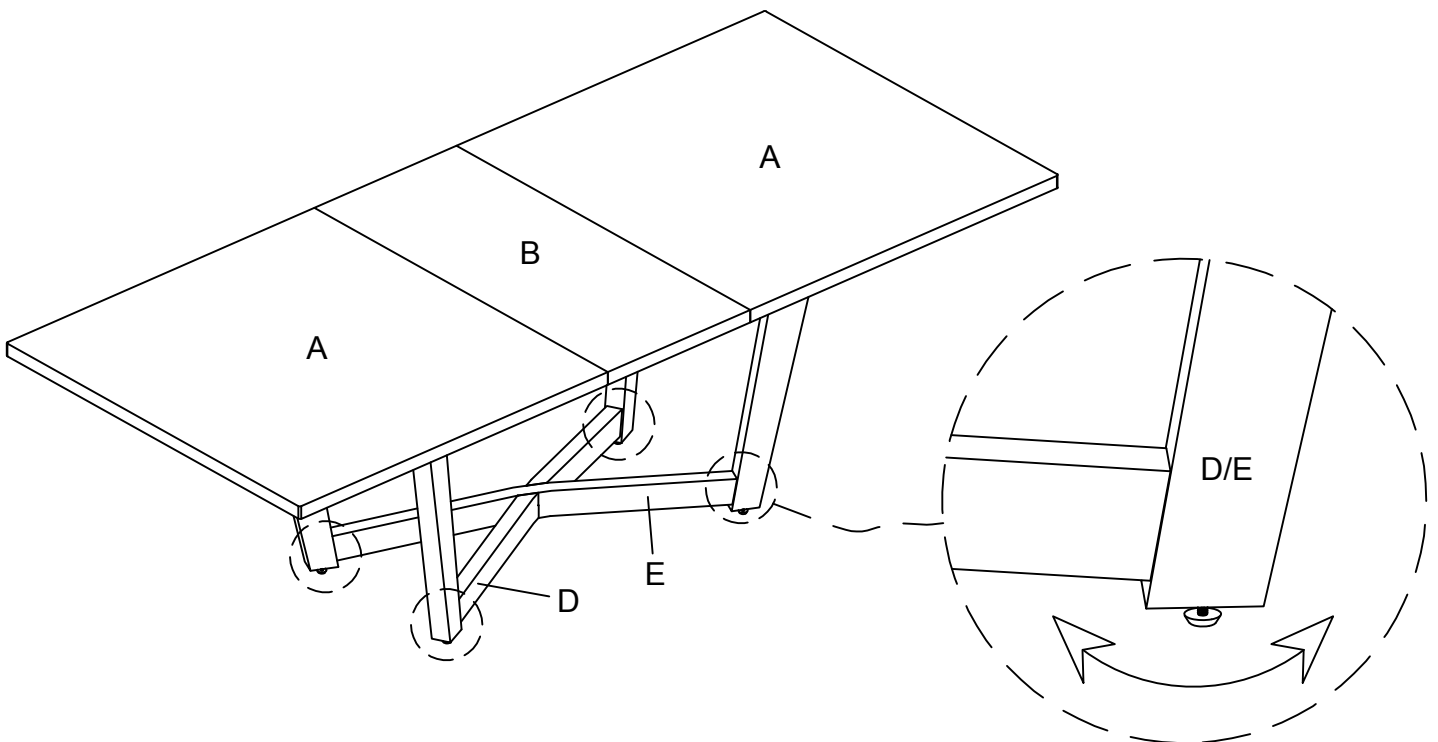
6 Attach Leaf (B) to the Table Top (A). Then push two sides of the Table Top (A) to reach the Leaf (B).



7 Lock the Leaf (B) by using the Sash Lock.



8 Adjust the Levelers at the bottom of Leg (D & E) to keep the table level.



Cleaning & Care

Treat surface with care. Surface is resistant to scratches but is not scratch resistant. Clean surfaces with a dry or damp soft cloth. Do not use abrasive cleaners. Hardware may loosen over time. Periodically check that all connections are tight.