

ROUGHIN-FRAME

Rough-In Frame for Remote-Driver (Canless) LED Downlights

Product Description

The ROUGHIN-FRAME is designed to aid in installation of the remote-driver (canless) downlights by providing a clear location indicator for wiring and installation placement acting as a cutting guide/template within a finished ceiling. It is suitable for use in residential and commercial applications.

Construction

- Galvanized steel frame

Hanger Bars

- Heavy-gauge NICOR captive hanger bars provide greater stability, allowing housing to be positioned at any point within a 24" joist span, then locked in place with set screws
- Unique hanger bar lip design helps align frame to joist
- Four double-headed captive nails provide for ease of installation
- Bars can be repositioned 90° on plaster frame by repositioning hanger bar brackets
- Bars fit onto T-bar spine for quick alignment and can be permanently secured
- Score lines allow bars to be shortened without tools to accommodate a 12" joist span
- Shallow design allows use in 2" x 6" joist construction

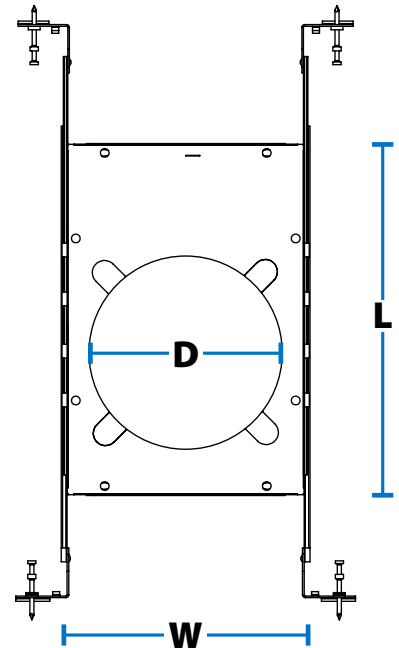
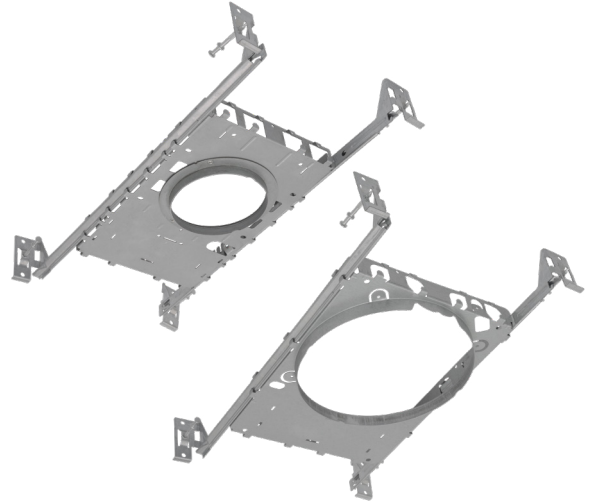
Dimensions

	Length (L)	Width (W)	Diameter (D)
DLE4-ROUGHIN-FRAME	7.78" (197mm)	5.29" (134mm)	4.25" (107mm)
DLE6-ROUGHIN-FRAME	9.25" (235mm)	7" (178mm)	6.25" (159mm)

Compatibility

DLE4-ROUGHIN-FRAME	DGD4, DGC4, DGF4, DLE4, REL4, RELS4, RELR4
DLE6-ROUGHIN-FRAME	CLR6, DLE6, REL6, RELS6, RELR6, REL6-UNV

Date _____



Ordering Information

Example: DLE6-ROUGHIN-FRAME

Series	Description
DLE4-ROUGHIN-FRAME	Rough-in Frame for use with 4" Remote-Driver (Canless) LED Downlights
DLE6-ROUGHIN-FRAME	Rough-in Frame for use with 6" Remote-Driver (Canless) LED Downlights

Specifications and dimensions subject to change without notice.