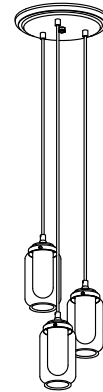


Features

- Complements Artifacts faucets and accessories
- Versatile design that features a frosted shade surrounded by a clear glass shade
- For a vintage look, remove the optional frosted glass and add any E26 medium-base Edison bulb (sold separately)
- For soft lighting, use an E26 medium-base type B light bulb with the frosted shade (bulb sold separately)
- A 7.5' (2.3 m) cord offers many height options
- Fixture is dimmable when paired with dimmer switch and compatible bulbs

Material

- Manufactured with quality materials and complemented with a meticulous finishing process
- Durable finishes engineered to last and designed to coordinate with KOHLER faucet finishes



Codes/Standards

UL 1598
CSA C22.2 No. 250.0
cETL Listed
ETL Listed

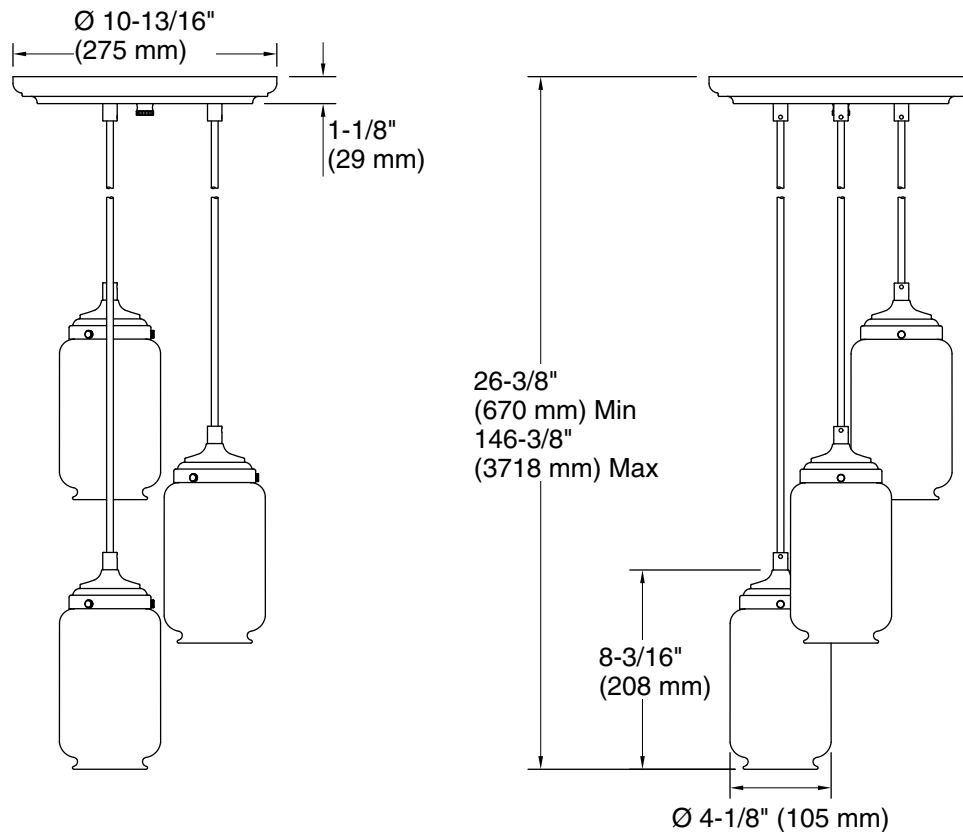
KOHLER® Indoor Lighting Fixtures Limited Warranty

See website for detailed warranty information.

Available Colors/Finishes

Color tiles intended for reference only.

| Color | Code | Description |
|---|------|-----------------|
|  | SNL | Polished Nickel |
|  | CPL | Polished Chrome |



Required Electrical Service

One circuit required.

Lights: 120 V, 1 A, 60 Hz

Technical Information

All product dimensions are nominal.

Material: Brass
Number of Lights: 3
Lighting Type: Socket-based
Socket Type: E-26 Medium
Number of Shades: 3
Shade Type: Frosted Glass
Hanging Type: Cord
Height: 26-3/8" (671 mm) - 146-3/8" (3719 mm)
Electrical component rating: Socket Rating: 60 Hz, 40 W, 800 Lumens, 3000K