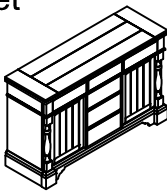
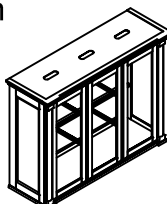
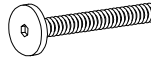



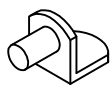
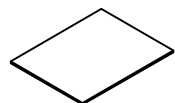
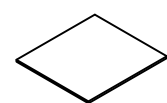
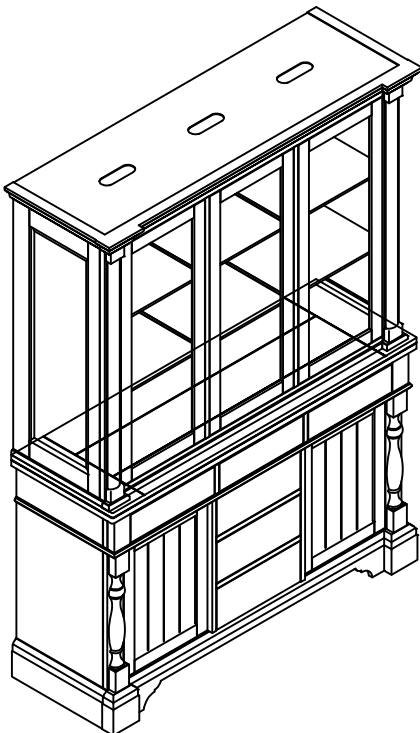


ASSEMBLY INSTRUCTION

5167-50 (MTL) HUTCH & BUFFET/SERVER

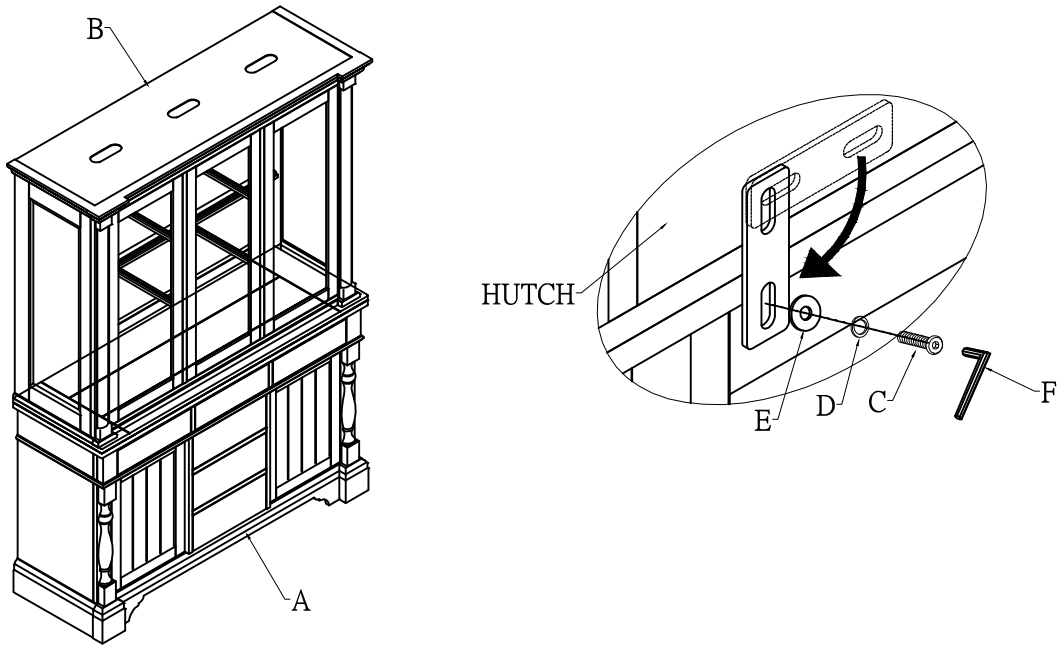
A Buffet  1 pc	B Hutch  1 pc	C Bolt 1/4"*3/4"  2 pcs
D Lock Washer 1/4"  2 pcs	E Flat Washer 1/4"  2 pcs	F Allen Wrench  1 pc
G Shelf Support  4 pcs	H Side Glass Shelf 18-1/8"x14-1/16"x5/16"  4 pcs	I Middle Glass Shelf 16-1/8"x14-1/16"x5/16"  2 pcs



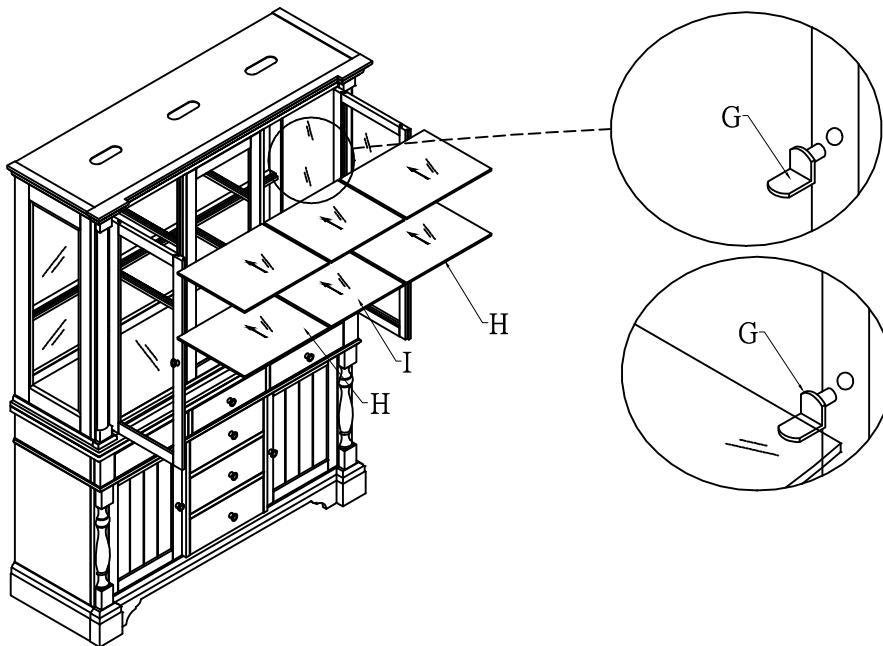
This page lists all the contents included in the box. Please take the time to identify the hardware as well as the individual components to this product. As you unpack and prepare for assembly, place the contents on a carpeted or padded area to protect them from damage.

1

Place the buffet (A) on the ground, the hutch (B) placed on top of the buffet (A). Tighten the buffet (A) and hutch (B) by bolts(C), lock washers(D) and flat washers(E) with allen wrench(F) in the back.

**2**

Open the hutch door, the shelf support(G) fixed in the hutch and put the side glass shelf (H) and middle glass shelf (I).



Cleaning & Care

Treat surface with care. Surface is resistant to scratches but is not scratch resistant. Clean surfaces with a dry or damp soft cloth. Do not use abrasive cleaners. Hardware may loosen over time. Periodically check that all connections are tight.