
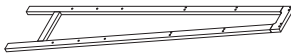
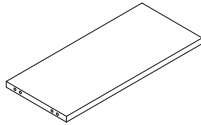
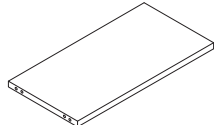
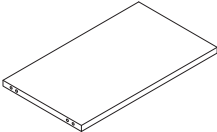
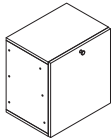
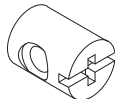
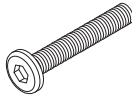
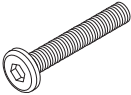
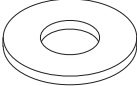
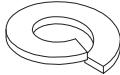
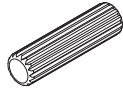

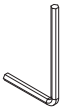

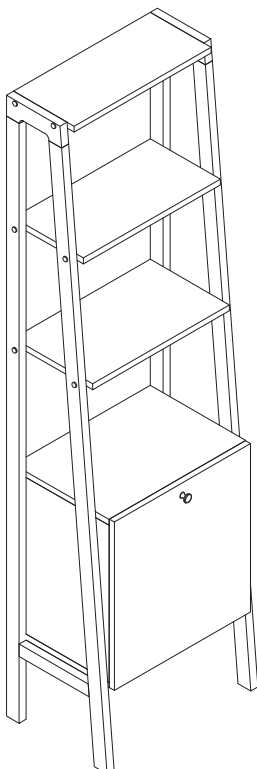


ASSEMBLY INSTRUCTION

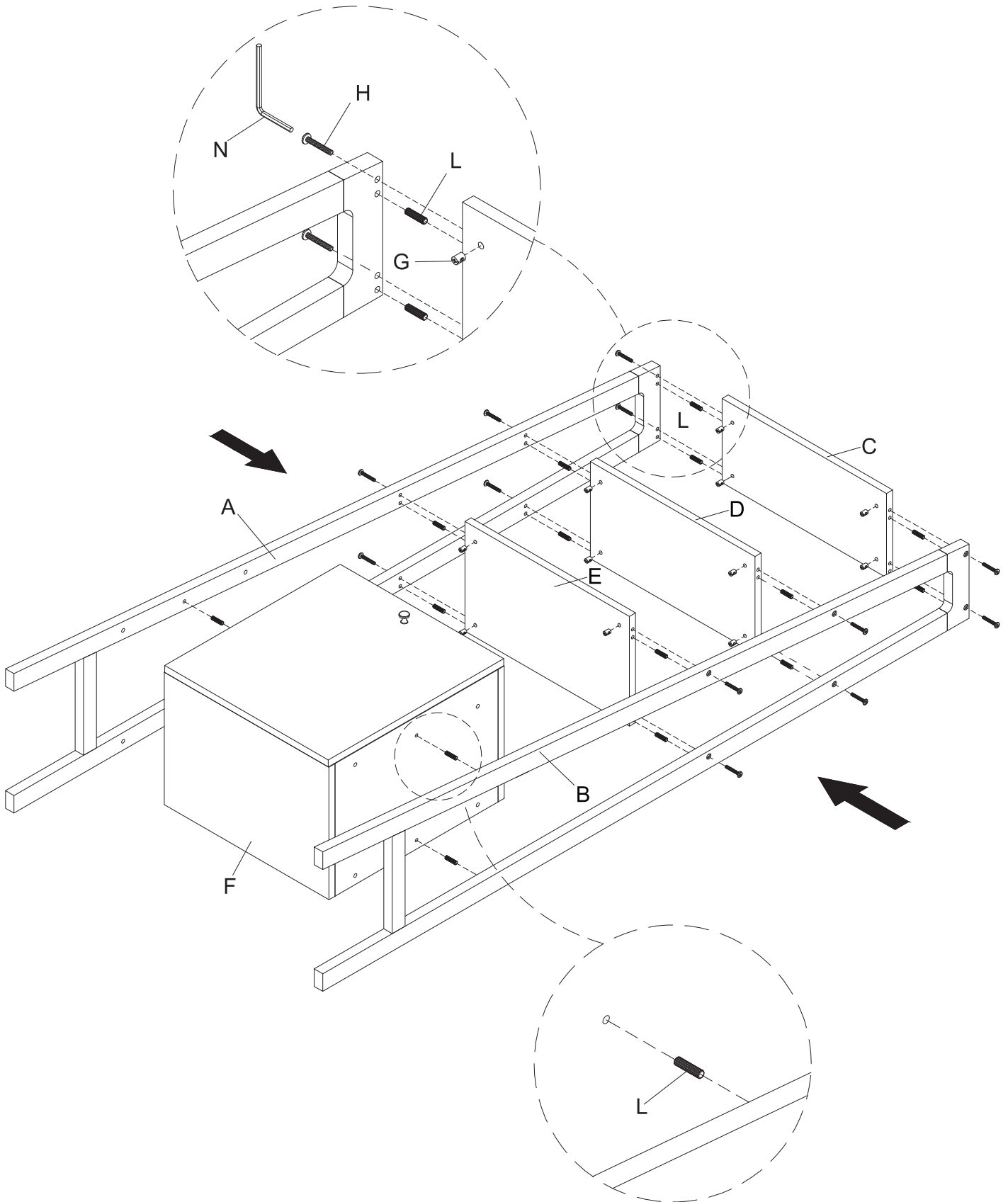
21"W LADDER BOOKCASE

A Leg Frame - Left	B Leg Frame - Right	C Shelf - Top	D Shelf - Middle
			
1 PC	1 PC	1 PC	1 PC
E Shelf - Bottom	F Cabinet	G Barrel Nut Ø1/4" x 12mm	H Allen Bolt Ø1/4" x 60mm
			
1 PC	1 PC	12 PCS	12 PCS
I Allen Bolt Ø1/4" x 32mm	J Flat Washer Ø1/4" x 16mm	K Lock Washer Ø1/4"	L Wood Dowel Ø8 x 30mm
			
8 PCS	8 PCS	8 PCS	16 PCS
M Wooden Button Ø14 x Ø11 x 12mm	N Allen Key 4mm x 60mm	O Anti-Tipping Kit (With Individual Instruction)	
			
12 PCS	1 PC	1 SET	

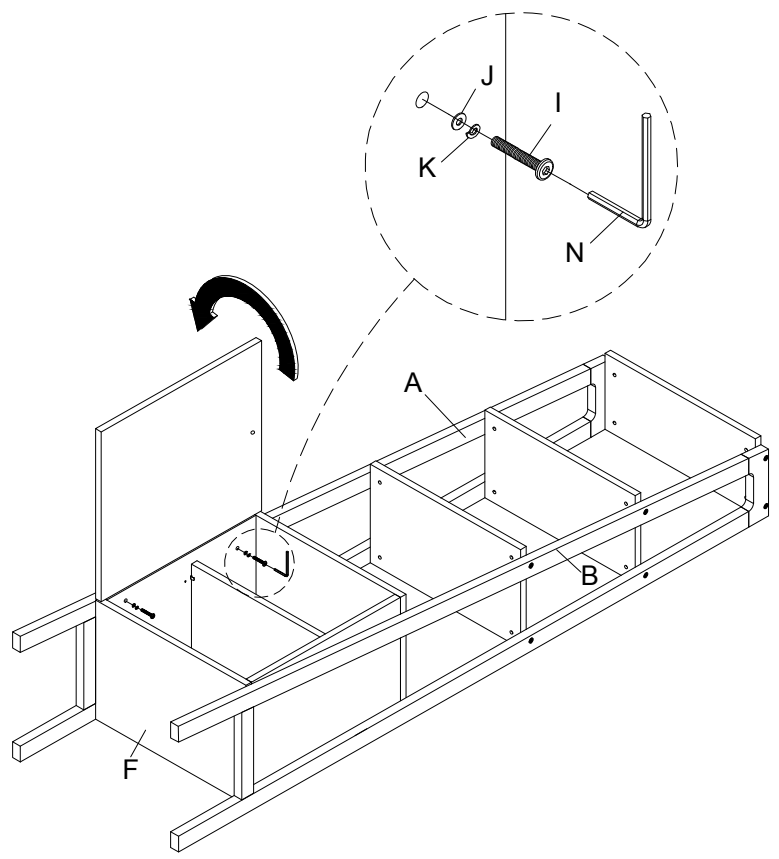


This page lists all the contents included in the box. Please take the time to identify the hardware as well as the individual components to this product. As you unpack and prepare for assembly, place the contents on a carpeted or padded area to protect them from damage.

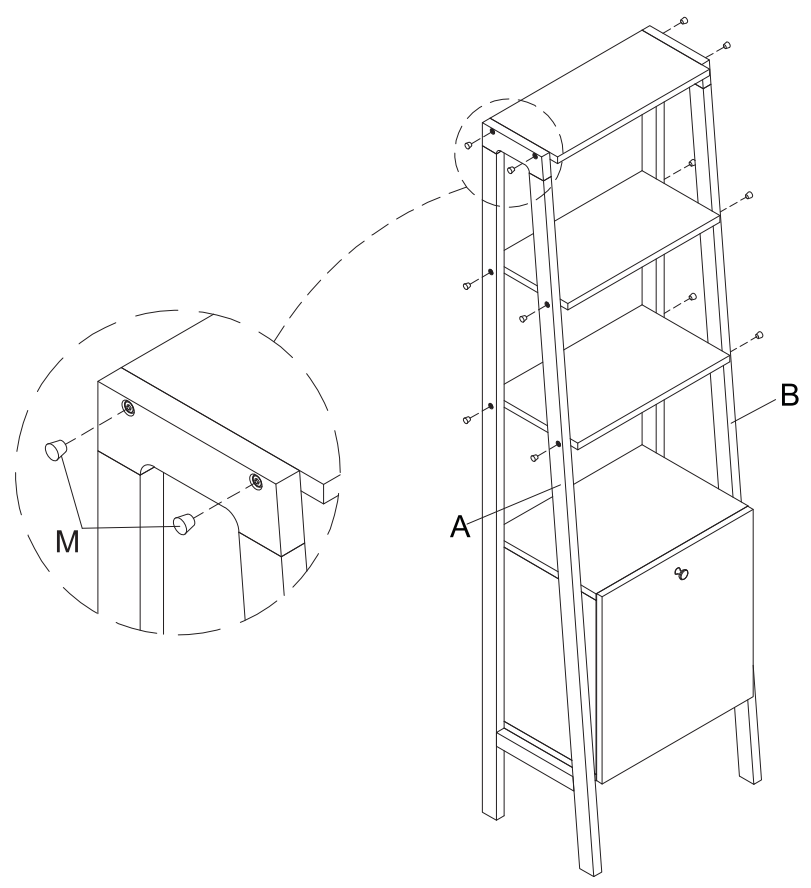
- 1** Insert the Barrel Nut (G) into the bottom of Shelf (C, D, E). Attach Left & Right Leg Frame (A & B) to Shelf (C, D, E) and Cabinet (F) using Wood Dowel (L). Then fix Left & Right Leg Frame (A & B) using Allen Bolt (H) with Allen Key (N).



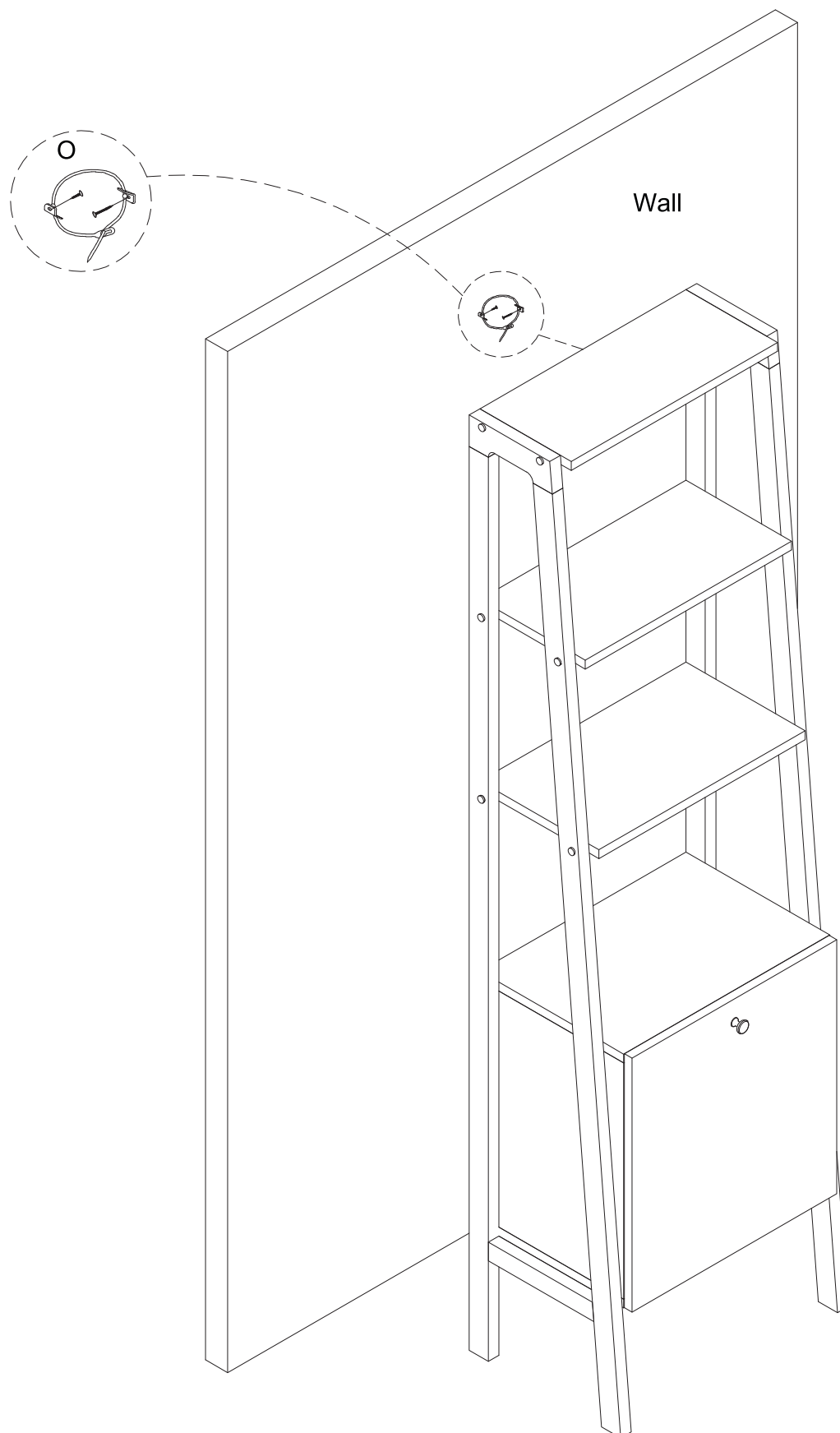
2 Open the door and fix Cabinet (F) with Left & Right Leg Frame using Allen Bolt (I), Lock Washer (K), Flat Washer (J) with Allen Key (N).



3 Cover bolt holes on Leg Frame (A & B) with Wooden Button (M).



4 Please install Anti-Tipping Kit (O) on the back of the product according to the individual instruction.



Cleaning & Care

Treat surface with care. Surface is resistant to scratches but is not scratch resistant. Clean surfaces with a dry or damp soft cloth. Do not use abrasive cleaners. Hardware may loosen over time. Periodically check that all connections are tight.