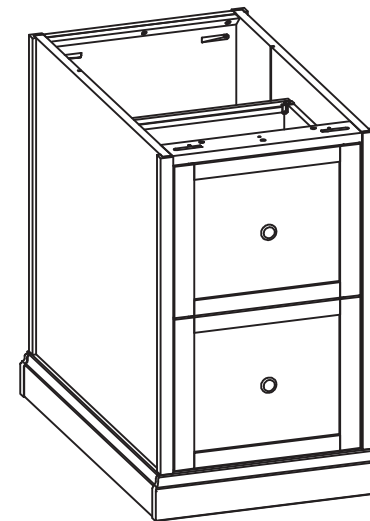
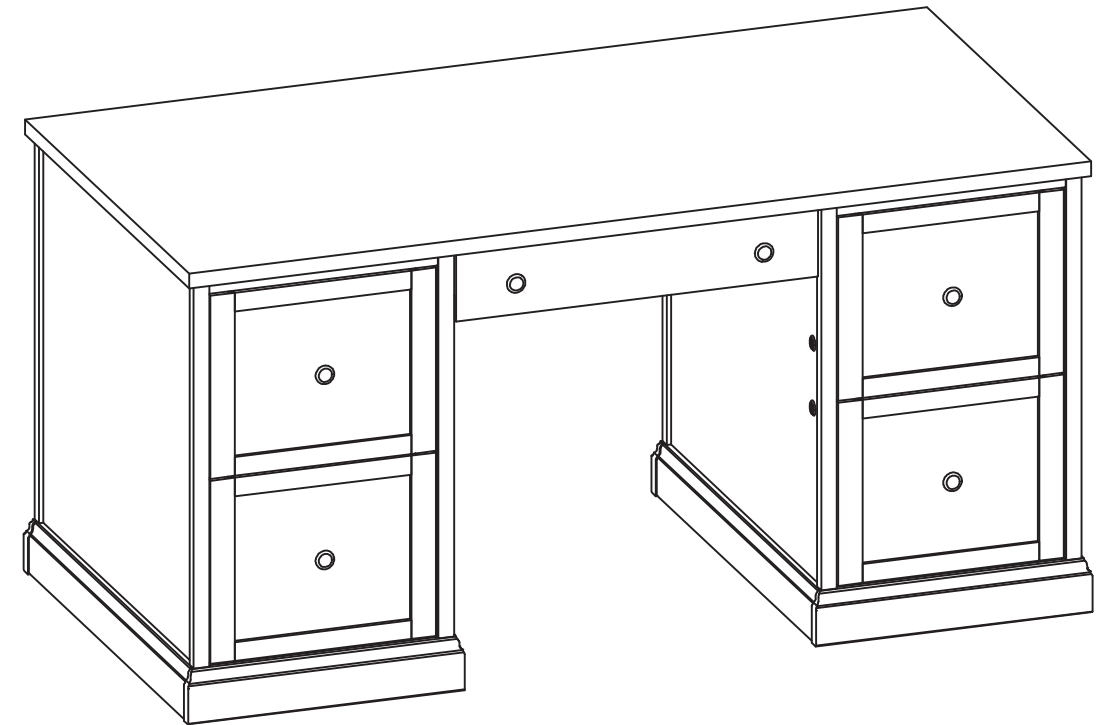


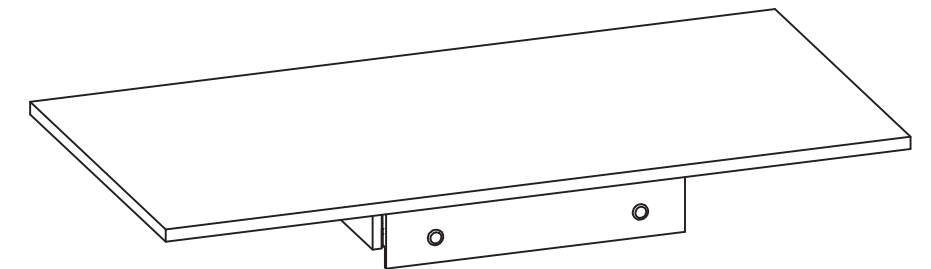
# HEKMAN<sup>®</sup>

A HOWARD MILLER COMPANY

## EXECUTIVE DESK ASSEMBLY

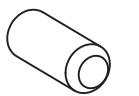


Pedestal  
(Style may vary)

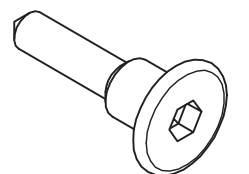


Desktop

Assembly Tools Required  
• 3/16" Hex Wrench



Dowel (2)



Connector Bolt (4)

2 People required for assembly

## Assembly Instructions

1. Move the Pedestals to the desired location for the desk. Take care to space the Pedestals as shown in Figure 1 and detailed below.
  - a. 60" desk – space Pedestals 25"
  - b. 70" desk – space Pedestals 31"
2. If the Pedestals have top drawers, remove them. To remove the top drawer, open the drawer completely to expose the Black Levers in the Drawer Slide (Figure 2). While pulling the drawer out, with your index finger pull UP on the left-side Black Lever and push DOWN on the right-side Black Lever.
  - a. Identify each drawer as left or right so it can be re-installed into the same Pedestal in a later step.
3. Insert the two (2) Dowels into the Alignment Holes located in the Cross Brace of both Pedestals (Figure 3).
4. With two (2) people, lower the Desktop onto the Pedestals. When lowering the Desktop, place it slightly forward of the Pedestals. Then slide the Desktop backwards to lock the Cleats shown in Figure 4. **During steps 4 and 5, take care not to pinch your fingers between the Desktop and the Pedestals.**
5. Adjust the Pedestals to ensure a proper fit and location with the Desktop. When the Pedestals are properly aligned, the Dowels will be seated in the Alignment Holes located in the Desktop (Figure 5). It may be necessary to apply some downward force to the Desktop in order to fully engage the Dowels in the Alignment Holes.
6. Install the four (4) Connector Bolts into the Threaded Inserts as shown in Figure 5.
5. Re-install the drawers by aligning the Drawer Slides and pushing the drawer closed. Install each drawer into the same Pedestal from where it was removed (left or right).
6. Adjust the Floor Levelers (four per Pedestal) as necessary to stabilize the desk (Figure 6).

