

ASSEMBLY INSTRUCTIONS



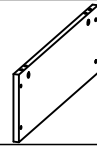
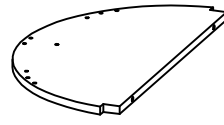
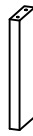
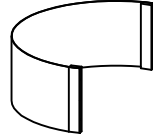
ITEM NUMBER : T3512N-10
COLLECTION NAME : BRAX


Thank you for purchasing this quality product. Be sure to check all packing materials carefully for small parts, which may have come loose inside the carton during shipment. Identify and count all items and compare with the PARTS LIST and/or HARDWARE LIST shown below.




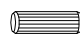
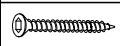



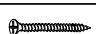
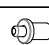




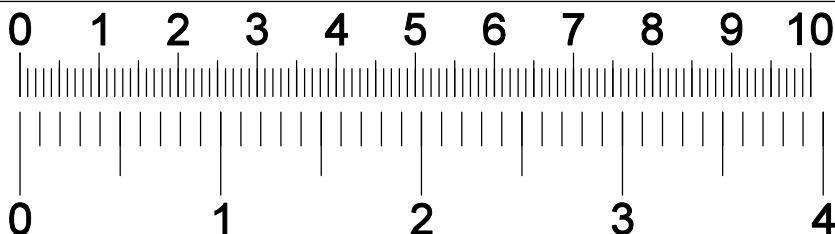
Please read the instructions thoroughly before assembly.

1. We recommend that you assemble this product with the assistance of another person; this will make the assembly easier, and will help eliminate damage to the product or injury to persons during assembly.
2. Please do not tighten screws or bolts until the assembly is completed.
3. To level the chairs or table, before tightening all the screws, the chairs or table must be placed on a flat surface and then tighten the screws.
4. Please put all parts on a non-abrasive floor before assembly and follow the assembly steps to assemble your newly purchased product correctly and efficiently.

PARTS LIST			
NO.	DESCRIPTION	SKETCH	QTY
1	TOP PANEL		1 PC
2	BOTTOM PANEL		1 PC
3	SIDE PANEL		2 PCS
4	SEMICIRCLE PANEL		4 PCS
5	SEMICIRCLE SUPPORT		6 PCS
6	SEMICIRCLE		2 PCS

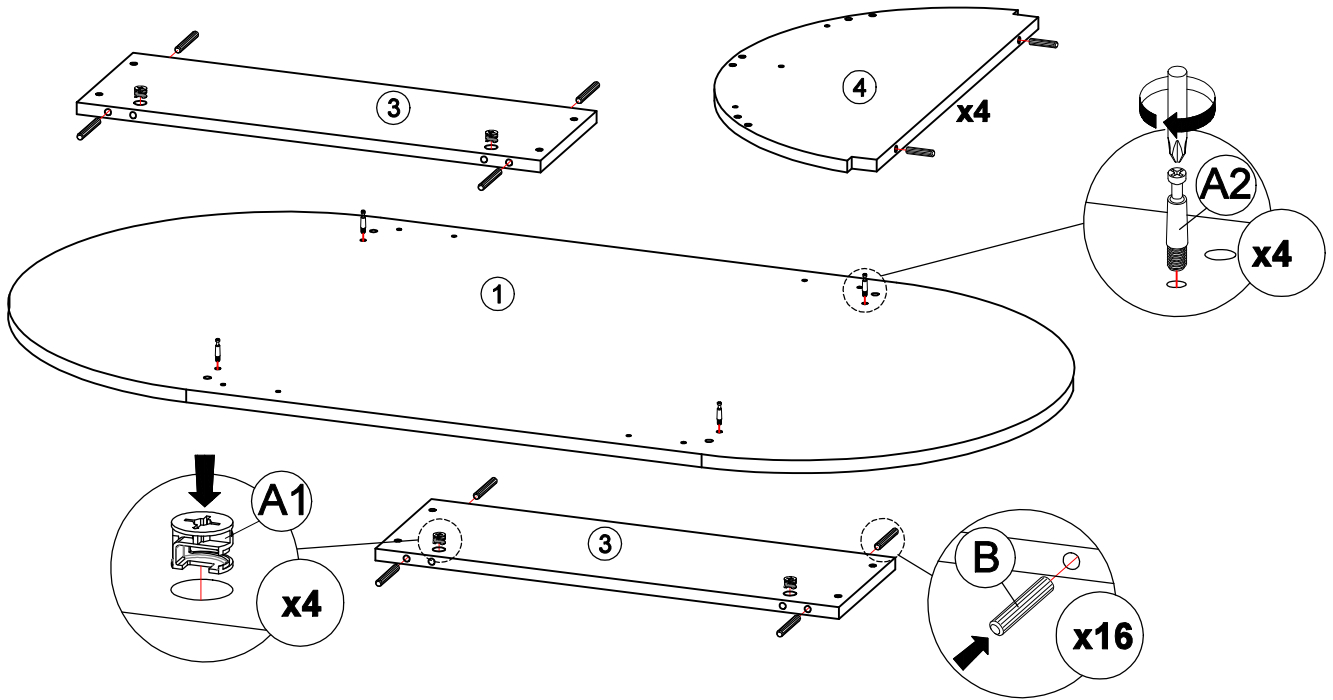
PARTS LIST			
NO.	DESCRIPTION	SKETCH	QTY
7	BAR SUPPORT		4 PCS

HARDWARE LIST			
NO.	DESCRIPTION	SKETCH	QTY
A1	MINIFIX CAM Ø9/16" x 1/2"		4 PCS
A2	MINIFIX BOLT M6 x 1-1/4"		4 PCS
A3	MINI FIX CAP Ø11/16" x 3/16"		4 PCS
B	WOOD DOWEL M8 x 1-3/16"		16 PCS
C	CSK C/W SCREW M6 x 2"		4 PCS
D	ALLEN KEY M4 x 2-3/4"		1 PC
E	C.B SCREW M3.5 x 5/8"		16 PCS
F	C.B SCREW M4 x 1"		12 PCS
G	C.B SCREW M4 x 1-1/2"		32 PCS
H	SPRING DOOR SUPPORT 13/16"		16 PCS
I	STICKER Ø9/16"		8 PCS
J	METAL LEG - 7-7/8" x 1"		4 PCS

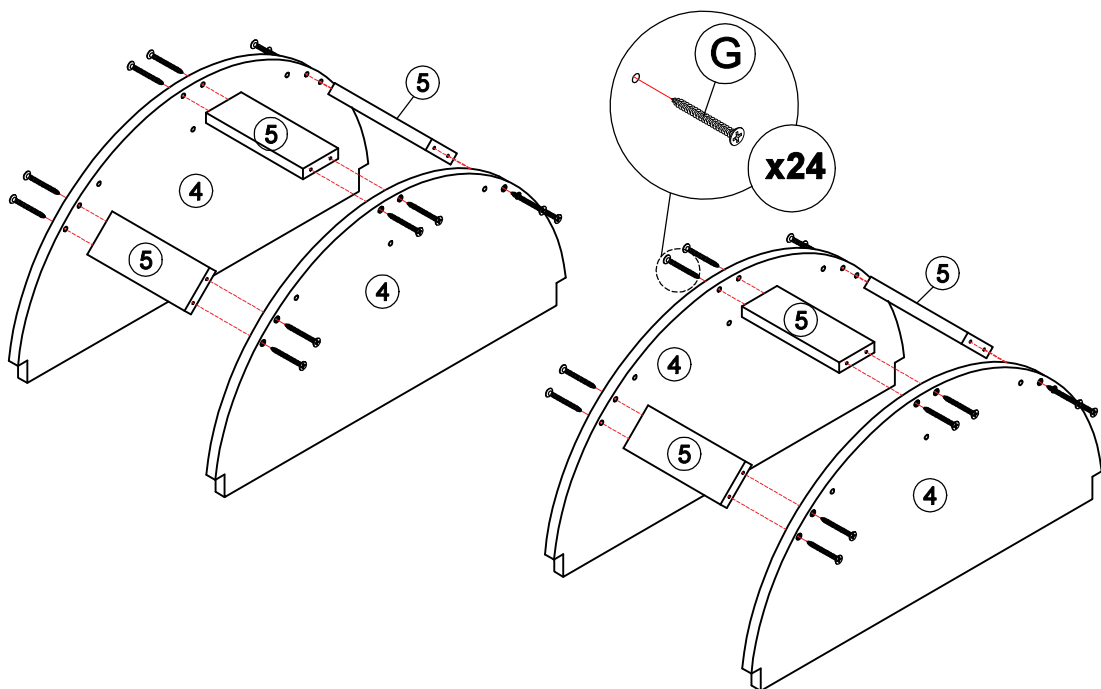


HARDWARE DIMENSIONS
VERIFICATION TOOL

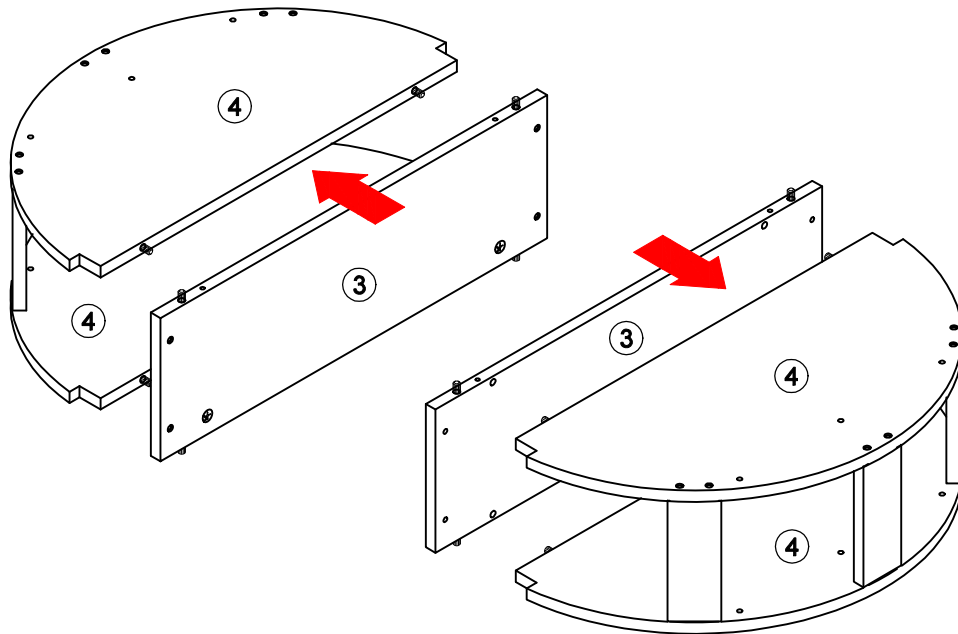
STEP 1 : Insert hardware minifix (A1) onto panel (3). Insert hardware minifix (A2) onto panel (1).
Insert hardware wood dowel (B) onto panel (3) and (4).
****Attention : DO NOT OVER-TIGHTEN THE BOLTS.**



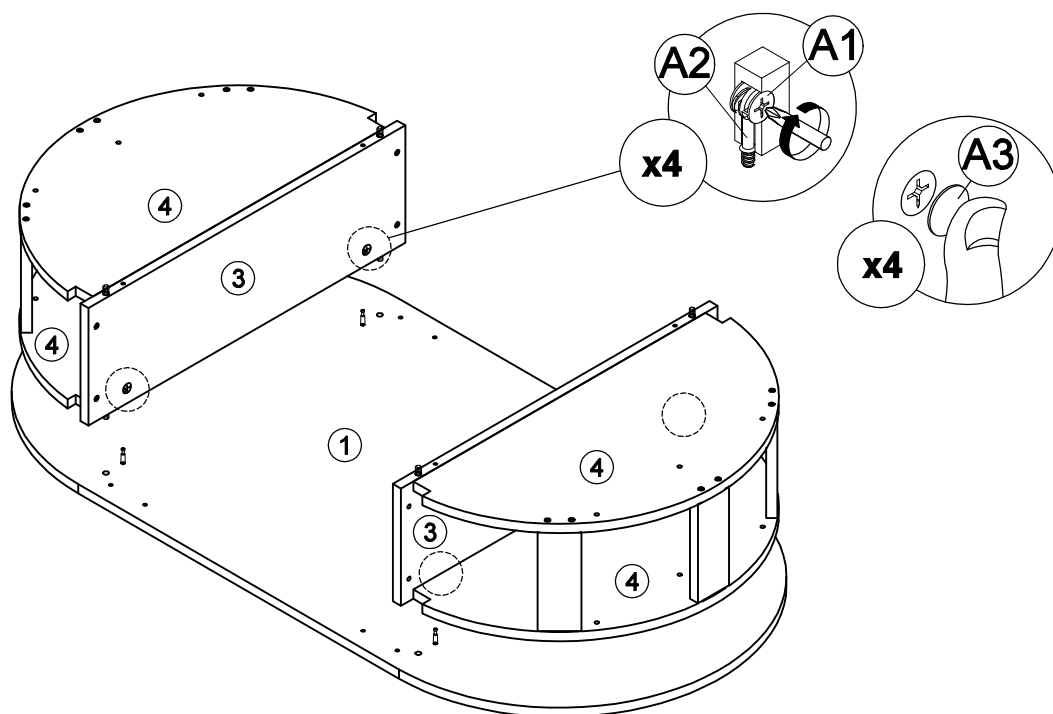
STEP 2 : Attach panel (4) with panel (5) by using hardware screws (G).
****Attention : DO NOT OVER-TIGHTEN THE SCREWS.**



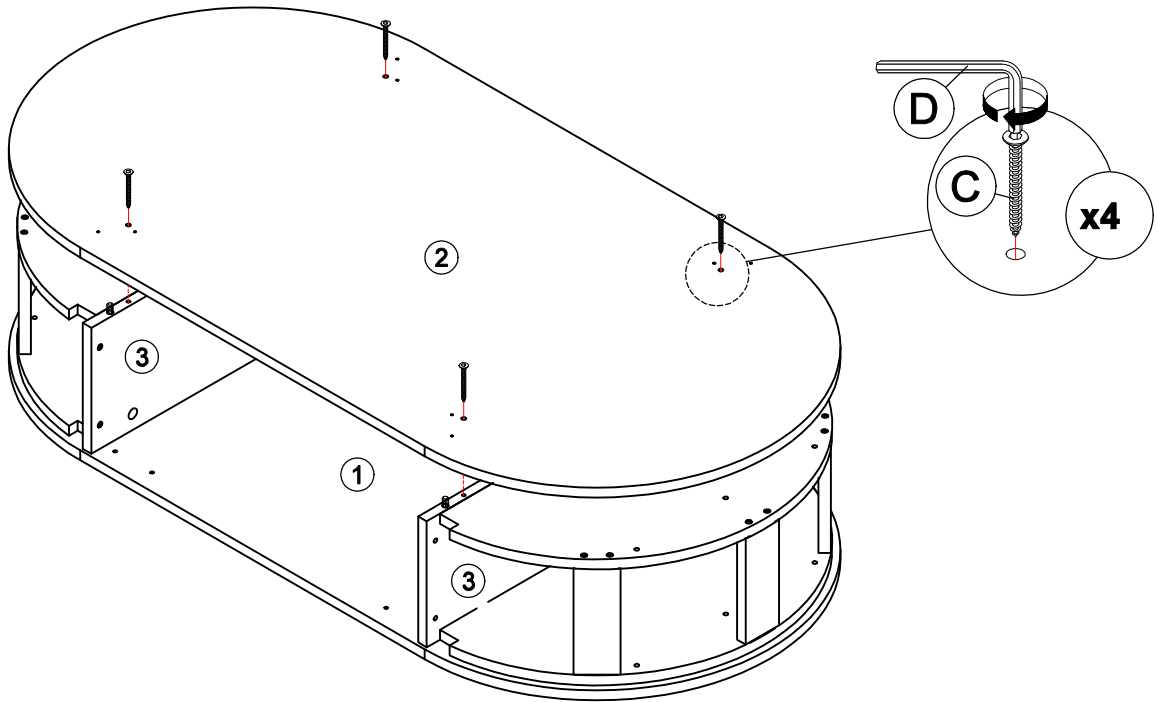
STEP 3 : Attach panel (3) to panel (4).



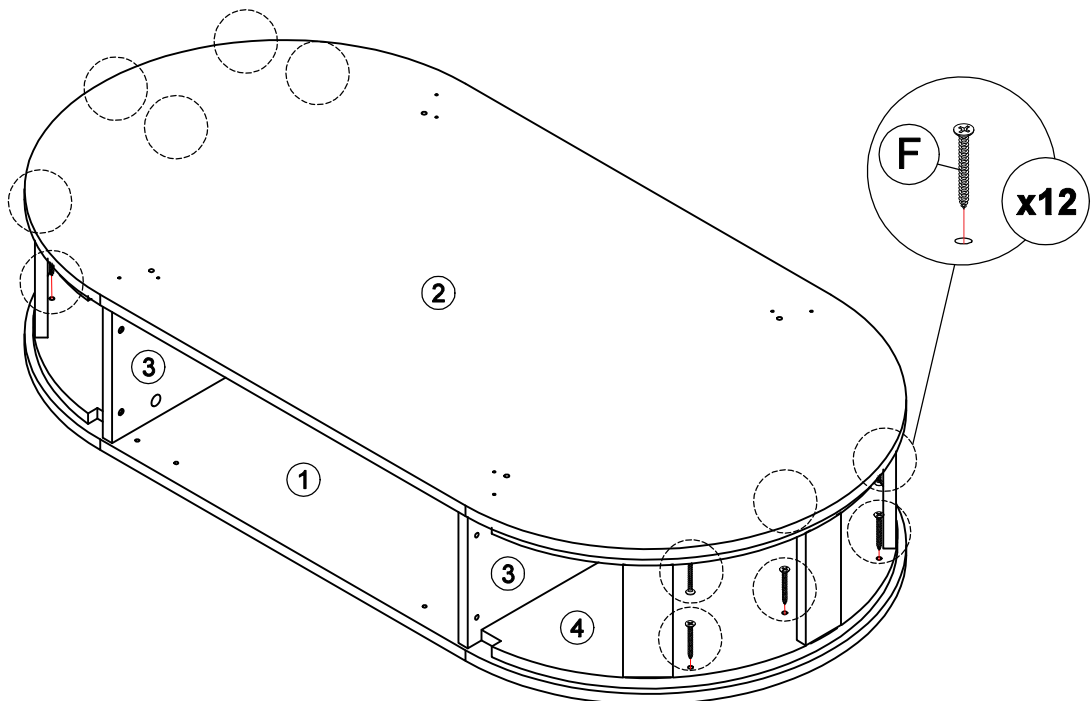
STEP 4 : Attach panel (1) to panel (3). Insert all hardware minifix (A2) into minifix (A1). Rotate all minifix (A1) until tight. Apply minifix (A3) onto all minifix (A1).
**Attention : DO NOT OVER-TIGHTEN THE BOLTS.



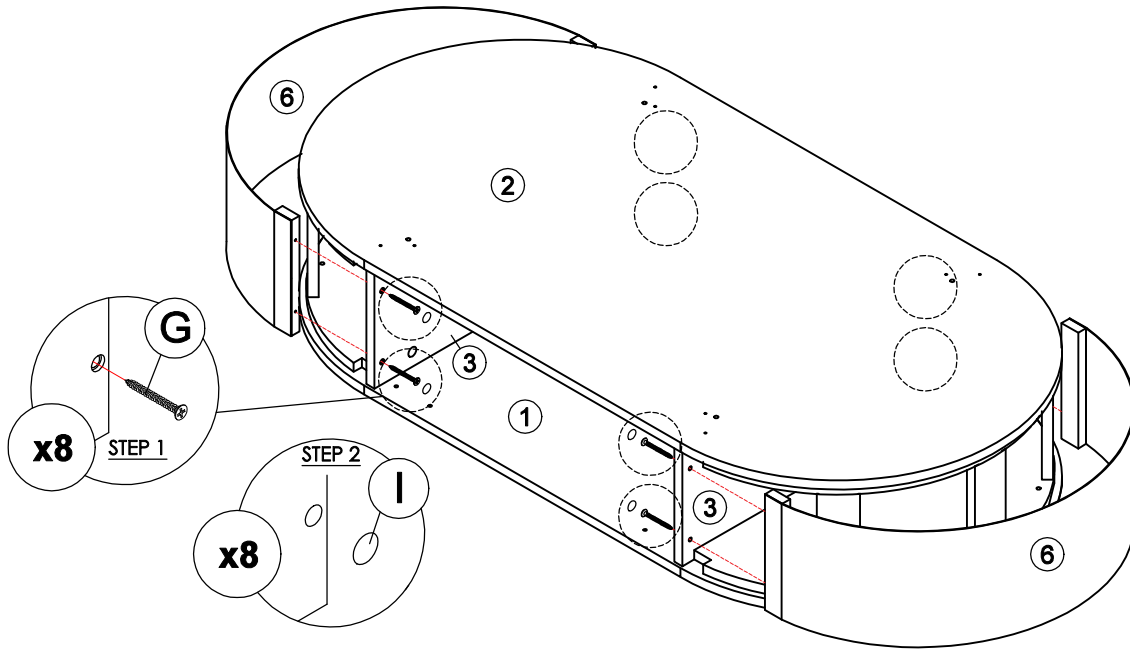
STEP 5 : Assemble panel (2) to panel (3) by using allen key (D) with hardware screws (C).
**Attention : DO NOT OVER-TIGHTEN THE SCREWS.



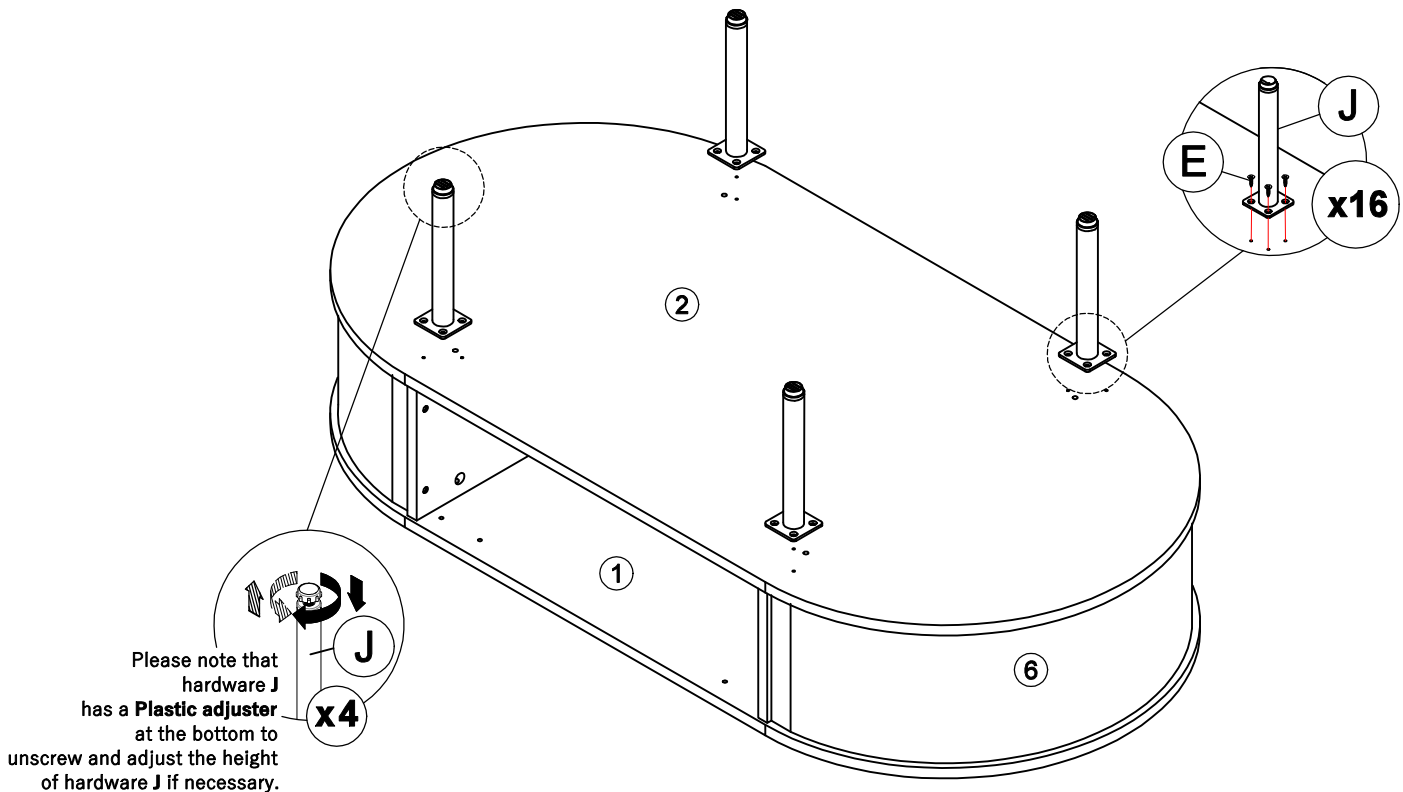
STEP 6 : Assemble panel (4) to panel (1) and (2) by using hardware screws (F).
**Attention : DO NOT OVER-TIGHTEN THE SCREWS.



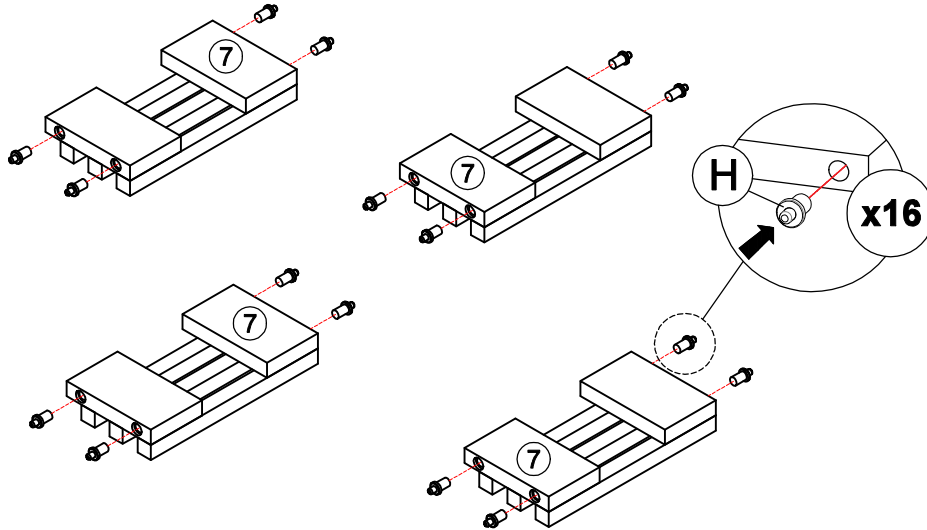
STEP 7 : Assemble panel (6) to panel (3) by using hardware screws (G).
Stick hardware (I) to hardware (G).
****Attention :** DO NOT OVER-TIGHTEN THE SCREWS.



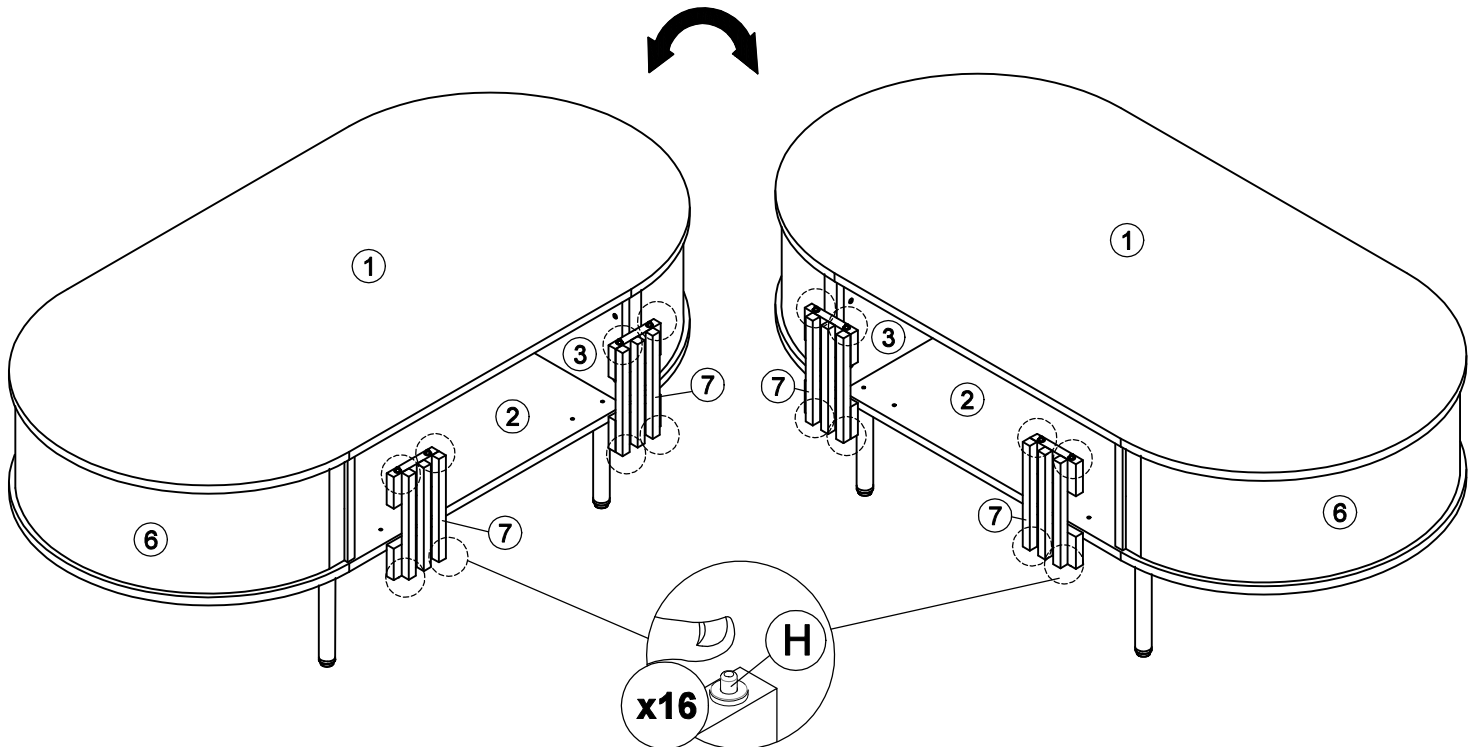
STEP 8 : Fix hardware (J) onto panel (2) by using hardware screw (E).
****Attention :** DO NOT OVER-TIGHTEN THE SCREWS.



STEP 9 : Insert hardware (H) onto panel (7).



STEP 10 : Fix panel (7) onto panel (1) and (2). Push hardware (H) and hold until insert onto the mounting. Ensure all hardware (H) in a good fit. Do Both side. Align the product to repeat other side.



ASSEMBLY INSTRUCTIONS

ITEM NUMBER : T3512N-10
COLLECTION NAME : BRAX

ASSEMBLY COMPLETED

