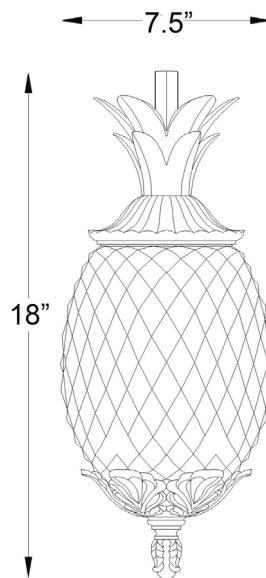


7502BK

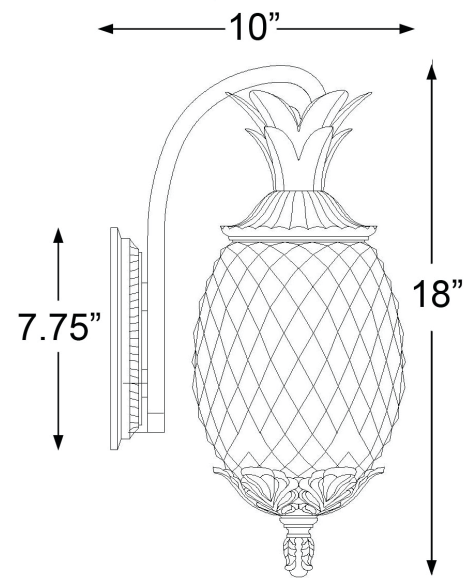
LANAI 2-LIGHT WALL LANTERN



Front View



Side View



Description:	Lanai 2-light downward wall lantern
Finish:	Matte black
Dimensions:	7-1/2" W x 18" H x 10" ext. Height on center: 8-1/2"
Bulbs:	2-60w candelabra
Installed Weight:	4.85 lbs.
Certification:	Wet location / c UL

Material:	Cast aluminum
Shade:	Glass
Glass:	Clear pineapple cut
Back Plate Dimensions:	4-3/4" x 7-3/4"
Chain/Wire:	NA
Additional Finishes:	Black coral