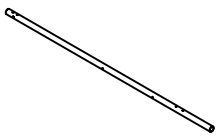




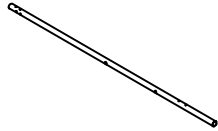
# ASSEMBLY INSTRUCTION

## HOMELEGANCE 1761-1 QUEEN SIZE CANOPY BED

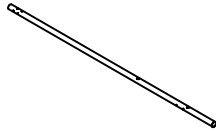
### PART LIST:



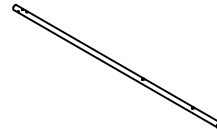
A:LSF Headboard Post  
x 1pc



B: RSF Headboard Post  
x 1pc



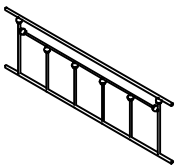
C:LSF Footboard Post  
x 1pc



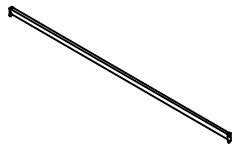
D:RSF Footboard Post  
x 1pc



E:Short Upper Support Bar  
x 2pcs



F:Headboard & Footboard Frame  
x 2pcs



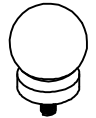
G:Long Upper Support Bar  
x 2pcs



H:Rail  
x 2pcs



I:Front/Rear Support Bar  
x 2pcs



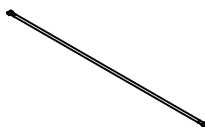
J:Finial  
x 4pcs



K:Center support Bar  
x 1pc



L:Support Legs  
x 2pcs



M:Slat with Connectors  
x 16pcs

### HARDWARE LIST:



1: Bolt 1/4\*46mm  
x4pcs



2: Bolt 1/4\*16mm  
x32pcs



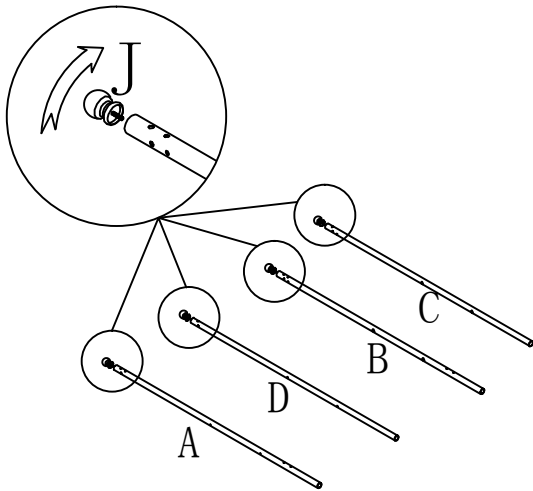
3: Bolt 5/16\*55mm  
x8pcs



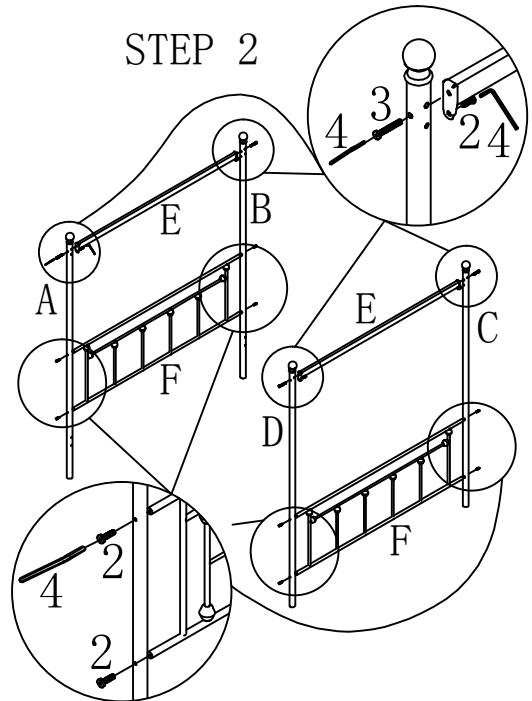
4: Allen Key 4MM  
x1pc

Note: Please do not tighten all bolts until the bed is assembled completely.

STEP 1

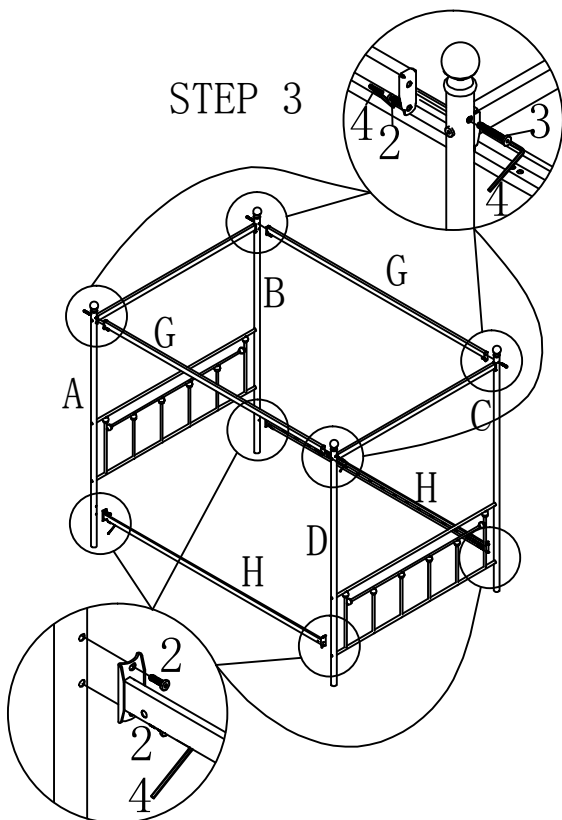


STEP 2



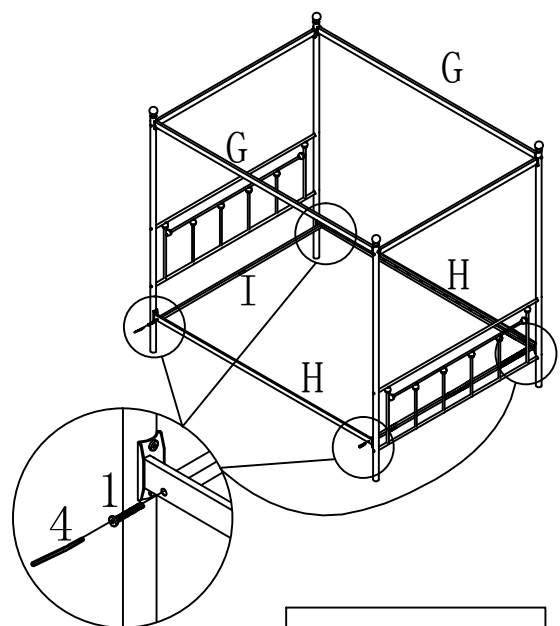
Hardware 2: 12 PCS  
Hardware 3: 4 PCS

STEP 3



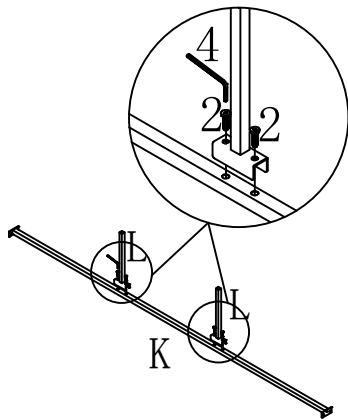
Hardware 2: 12 PCS  
Hardware 3: 4 PCS

STEP 4



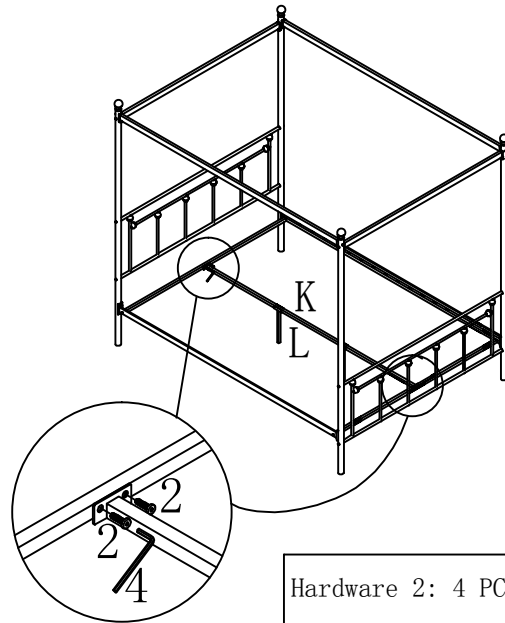
Hardware 1: 4 PCS

### STEP 5

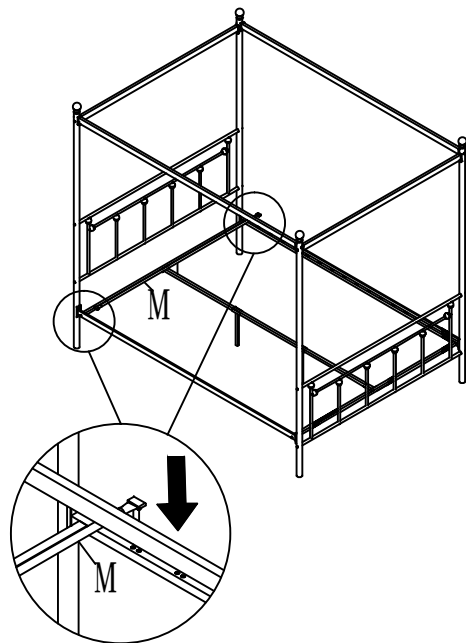


Hardware 2: 4 PCS

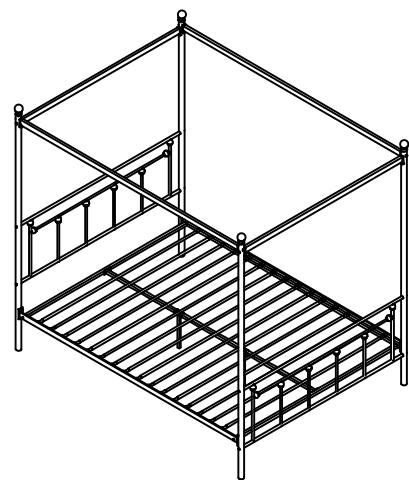
### STEP 6



### STEP 7



### COMPLETED



For items use on wooden floor, hard surfaces or carpets, it is recommended to install protective pads under all legs and supports to avoid/prevent from damages/scratches and discoloration.