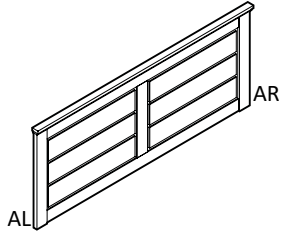


ASSEMBLY INSTRUCTION

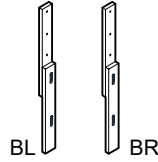
QUEEN BED
EASTERN KING BED

A Headboard



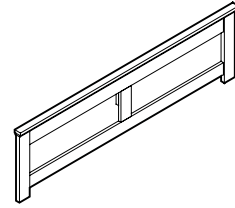
1pc

B Headboard Post



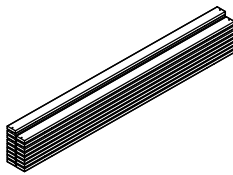
2pcs

C Footboard



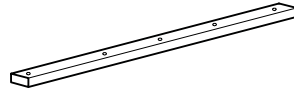
1pc

D Slat



1set (13pcs)

E Slat Center Rail



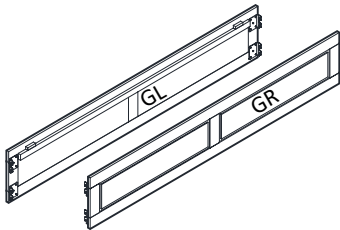
1pc

F Slat Support Leg



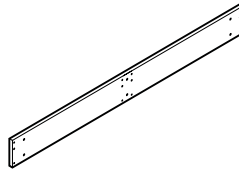
4pcs

G Side Rail



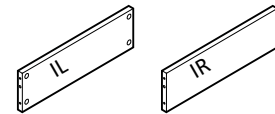
2pcs

H Drawer Back Support



1pc

I Drawer Side Support



4pcs

J Drawer Front



2pcs

K Left Drawer Side



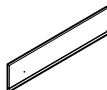
2pcs

L Right Drawer Side



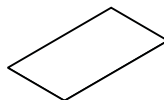
2pcs

M Drawer Back



2pcs

N Drawer Bottom



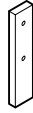
2pcs

O Drawer Bottom Support



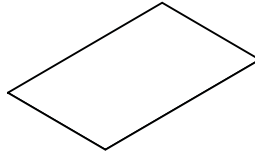
2pcs

P Drawer Support Leg



3pcs

Q Dust Cover



1pc

R Cam Bolt
6.5mm x 35mm



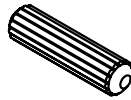
24pcs

S Cam Lock
15mm x 12mm



24pcs

T Dowel
ø8 x 25mm



16pcs

U JCBC Bolt
M6 x 30mm



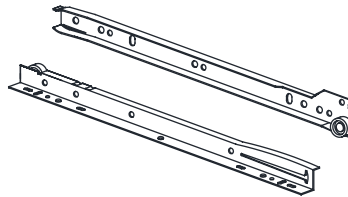
7pcs

V JCBC Bolt
M6 x 50mm



4pcs

W Drawer Slide
350mm



2pcs

X JCBB Bolt
M8 x 20mm



16pcs

Y JCBB Bolt
M8 x 40mm



6pcs

Z Spring Washer
M8



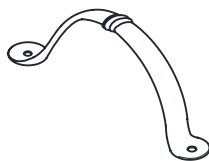
6pcs

AA Flat Washer
M8



6pcs

AB Handle



2pcs

AC PH
M4 x 20mm



4pcs

AD CBS
M3.5 x 16mm



28 pcs

AE CBS
M4 x 38mm



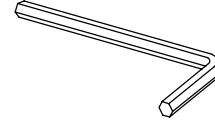
8pcs

AF CBS
M4 x 30mm



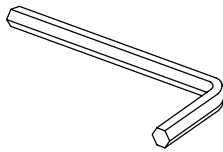
26pcs

AG Allen Key
M4



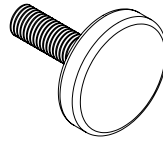
1pc

AH Allen Key
M5



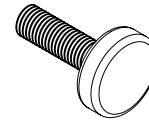
1pc

AI Adjustable Glider
M6 (Ø23)

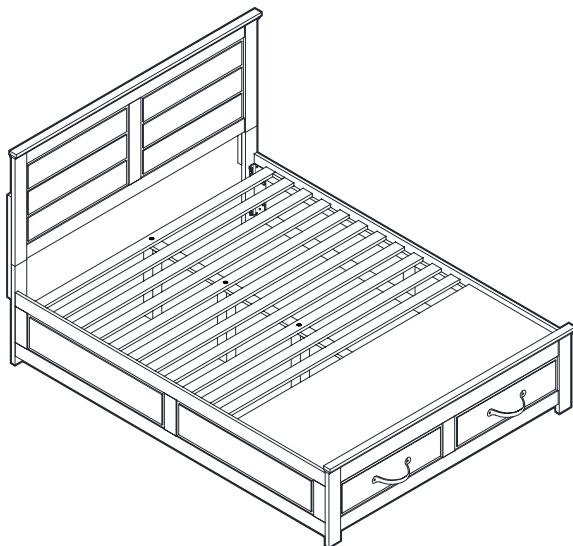


4pcs

AJ Adjustable Glider
M6 (Ø16)



3pcs



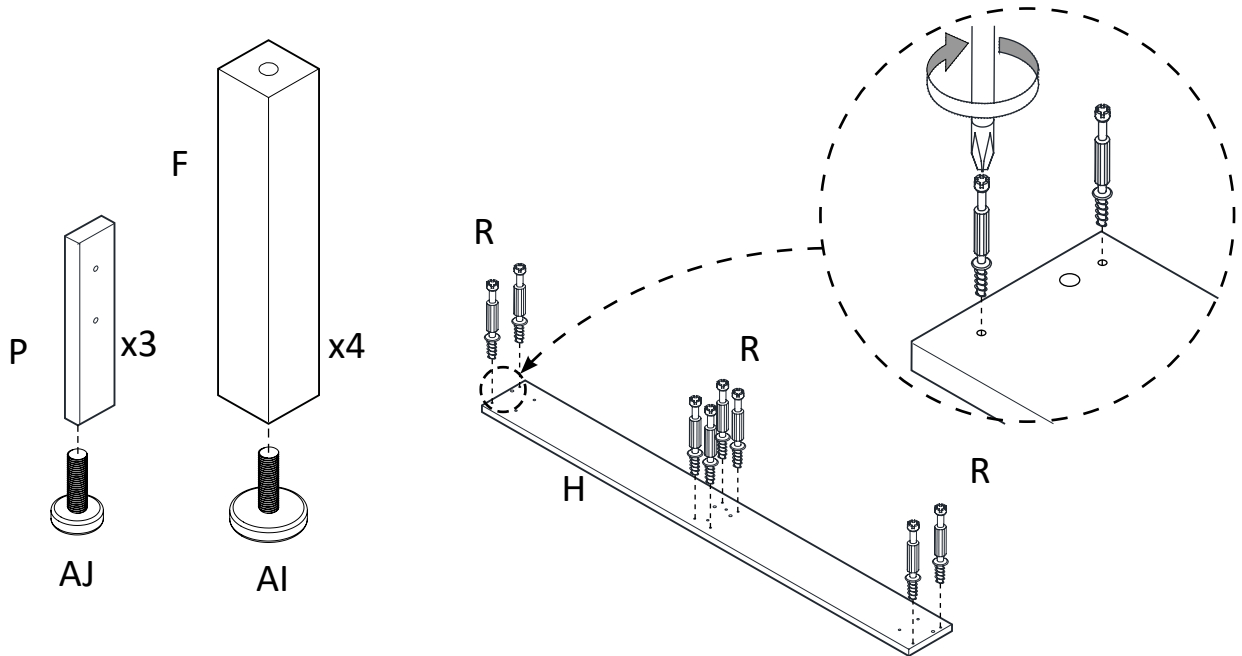
These pages lists all the content included in the box. Please take the time to identify the hardware as well as the individual components to this product. As you unpack and prepare for assembly, place the contents on a carpeted or padded area to protect them from damage.

IMPORTANT NOTE :

1. Do not tighten all screws / bolts until all completely assembled.
2. Keep all hardware parts out of reach of children.

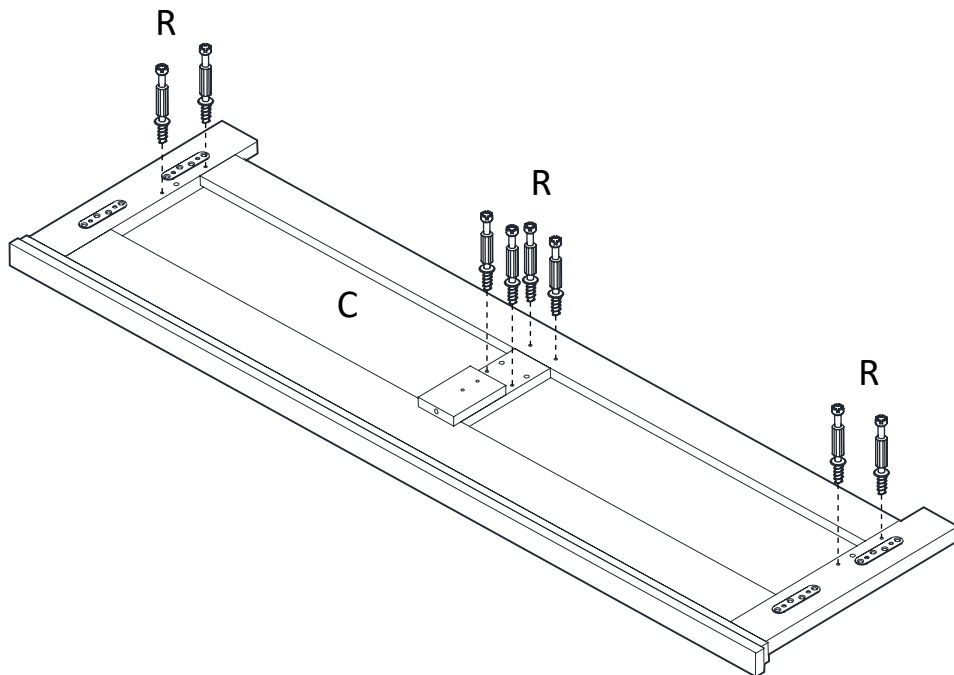
1

- (i) Attach Adjustable Glider (AI) to Slat Support Leg (F) and Adjustable Glider (AJ) to Drawer Support Leg (P).
- (ii) Attach Cam Bolt (R) to Drawer Back Support (H) holes as image below and tighten with screwdriver (not provided).



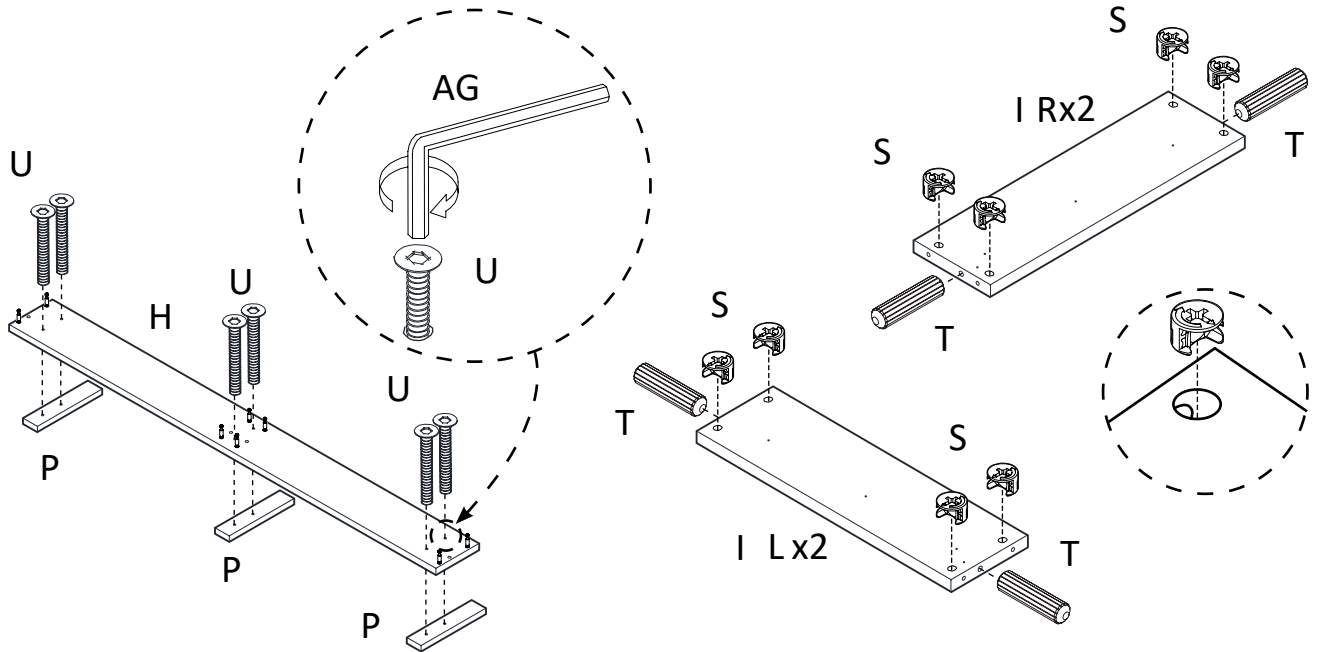
2

- Attach Cam Bolt (R) to Footboard (C) holes as image below and tighten with screwdriver (not provided).

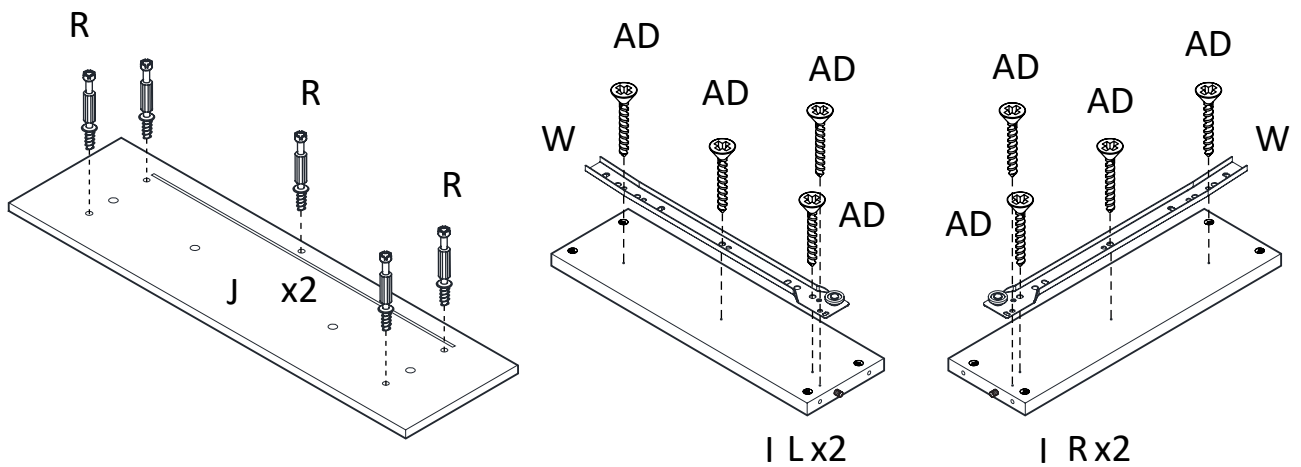


3

- (i) Attach Drawer Support Leg (P) to Drawer Back Support (H) and insert JCBC (U) to the holes and tighten using Allen Key (AG).
- (ii) Insert Cam Lock (S) and Dowel (T) to Drawer Side Support L & R (I) holes.

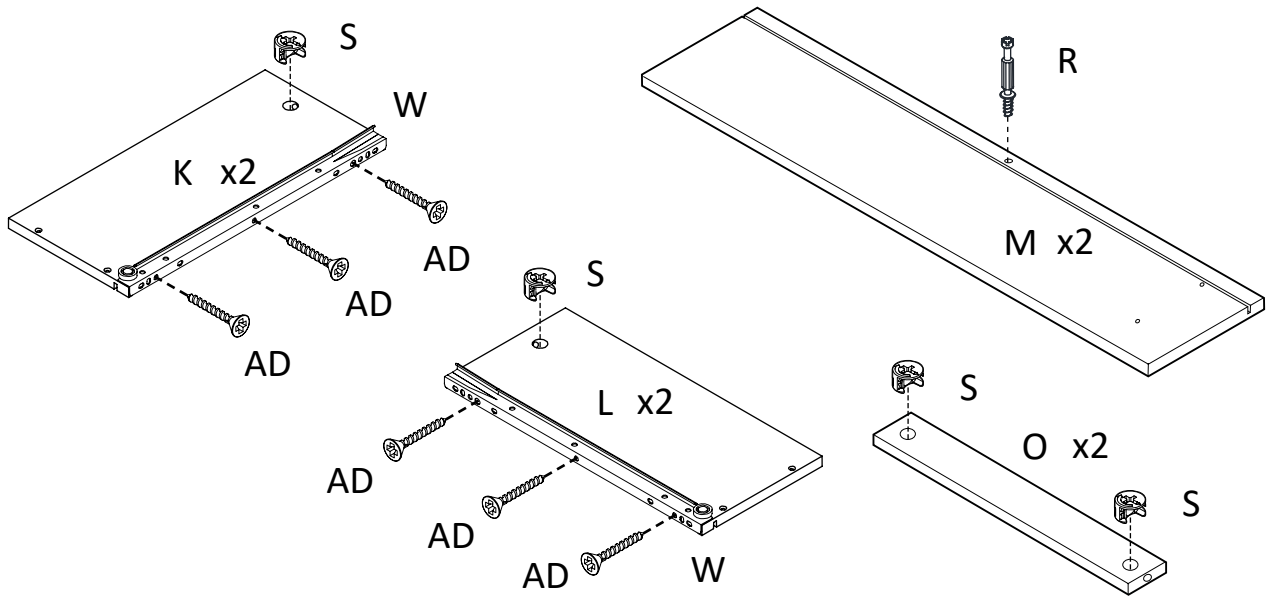
**4**

- (i) Attach Cam Bolt (R) to Drawer Front (J) holes.
- (ii) Attach Drawer Slide (W) to Drawer Side Support L & R (I) and insert CBS (AD) to the holes and tighten.

**5**

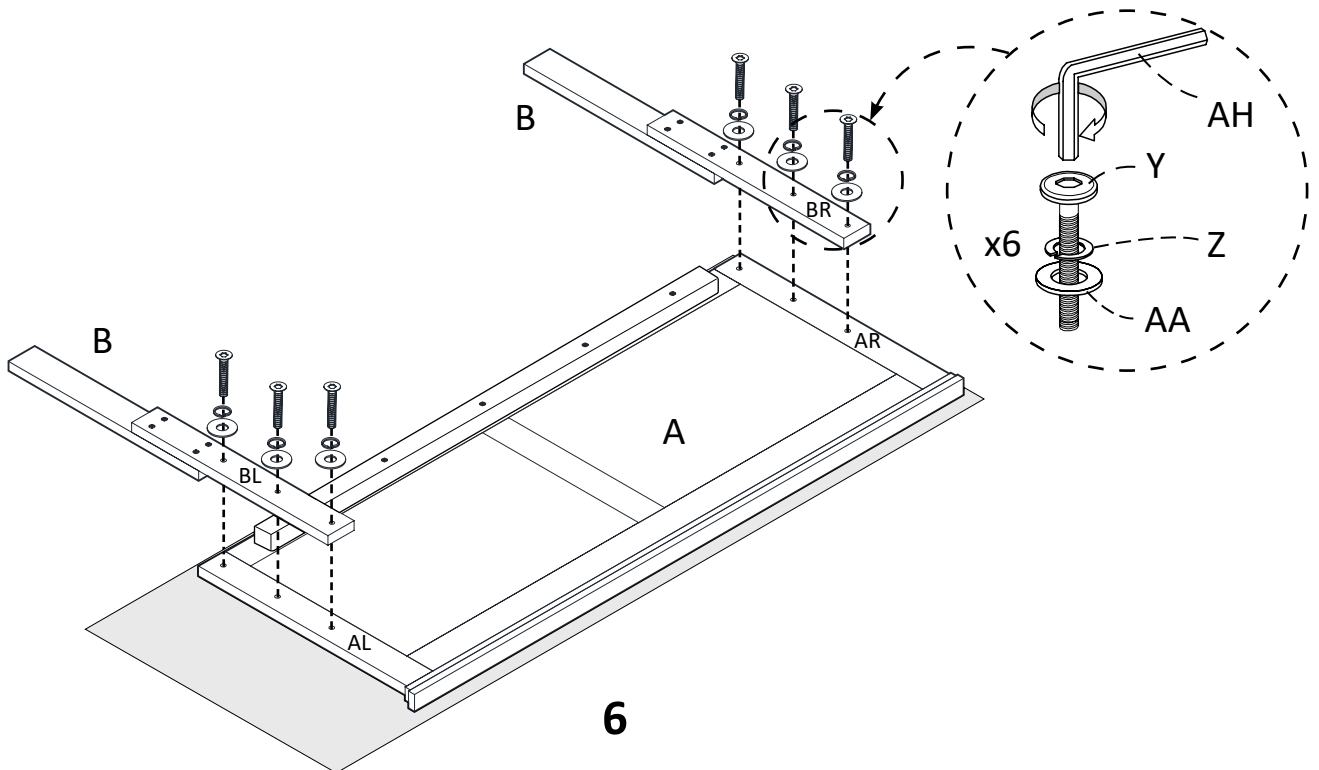
5

- (i) Insert Cam Lock (S) to the holes of Left Drawer Side (K), Right Drawer Side (L) and Drawer Bottom Support (O) properly.
- (ii) Attach Drawer Slider (W) to Left Drawer Side (K) and Right Drawer Side (L) and insert CBS (AD) to the holes and tighten.
- (iii) Attach Cam Bolt (R) to Drawer Back (M) holes as image below and tighten with screwdriver (not provided).



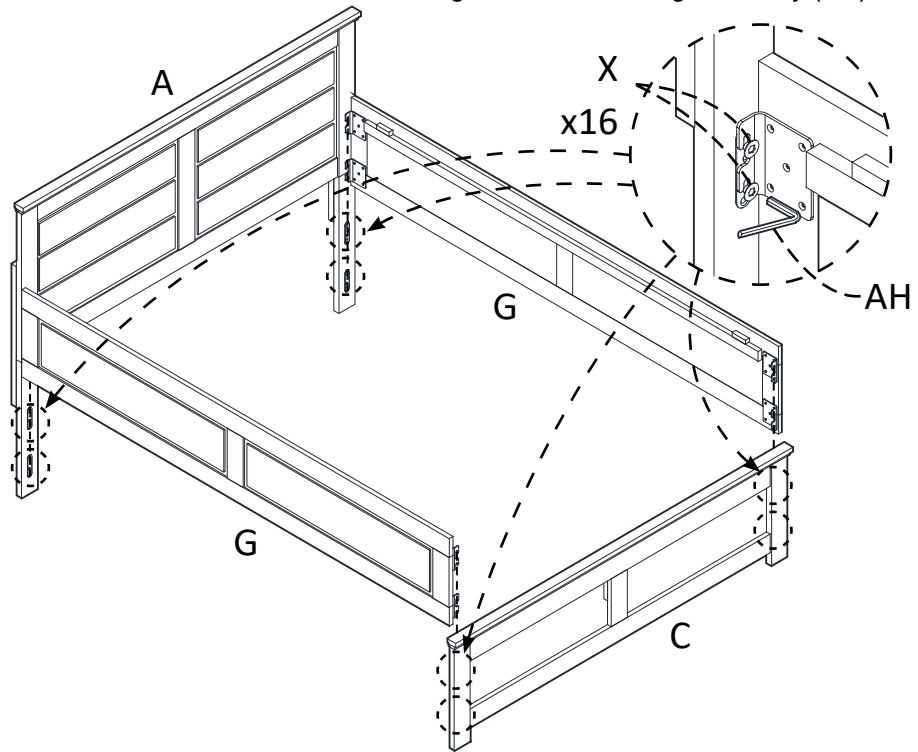
6

- (i) Turn the Headboard Panel (A) upside down and place it on a piece of cloth to prevent from scratching.
- (ii) Attach Headboard Post (B) to the Headboard Panel (A) with right pair (AL=BL, AR=BR).
- (iii) Insert JCBB (Y), Spring Washer (Z) and Flat Washer (AA) to the holes and tighten using Allen Key (AH).

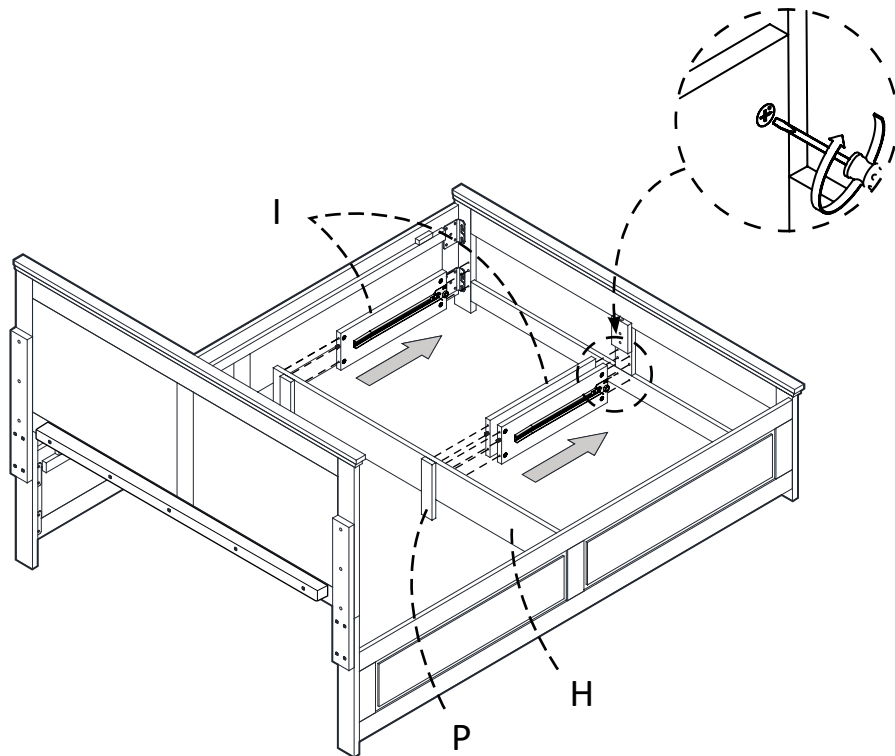


7

- (i) Attach Side Rail L&R (G) to Headboard (A) and Footboard (C) by inserting JCBB (X) loosely into provided holes.
- (ii) Hook Side Rail's brackets on as shown and tighten all bolts using Allen Key (AH).

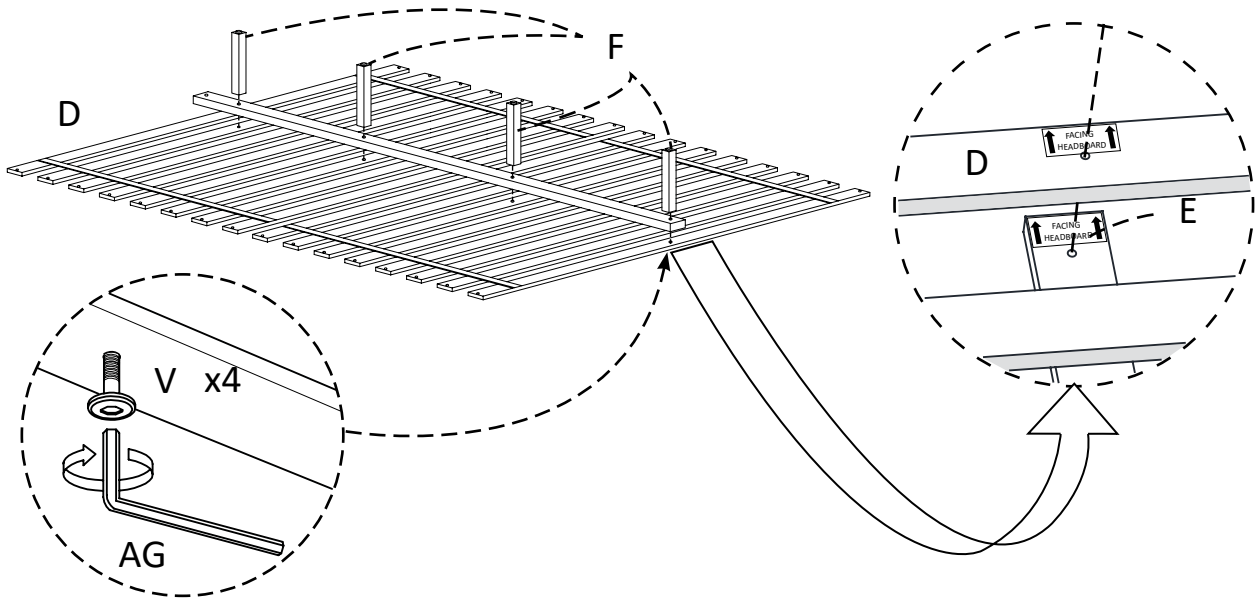
**8**

- Attach Drawer Back Support (H) with Drawer Support Leg (P) to Drawer Side Support L&R (I) with right face and tighten.

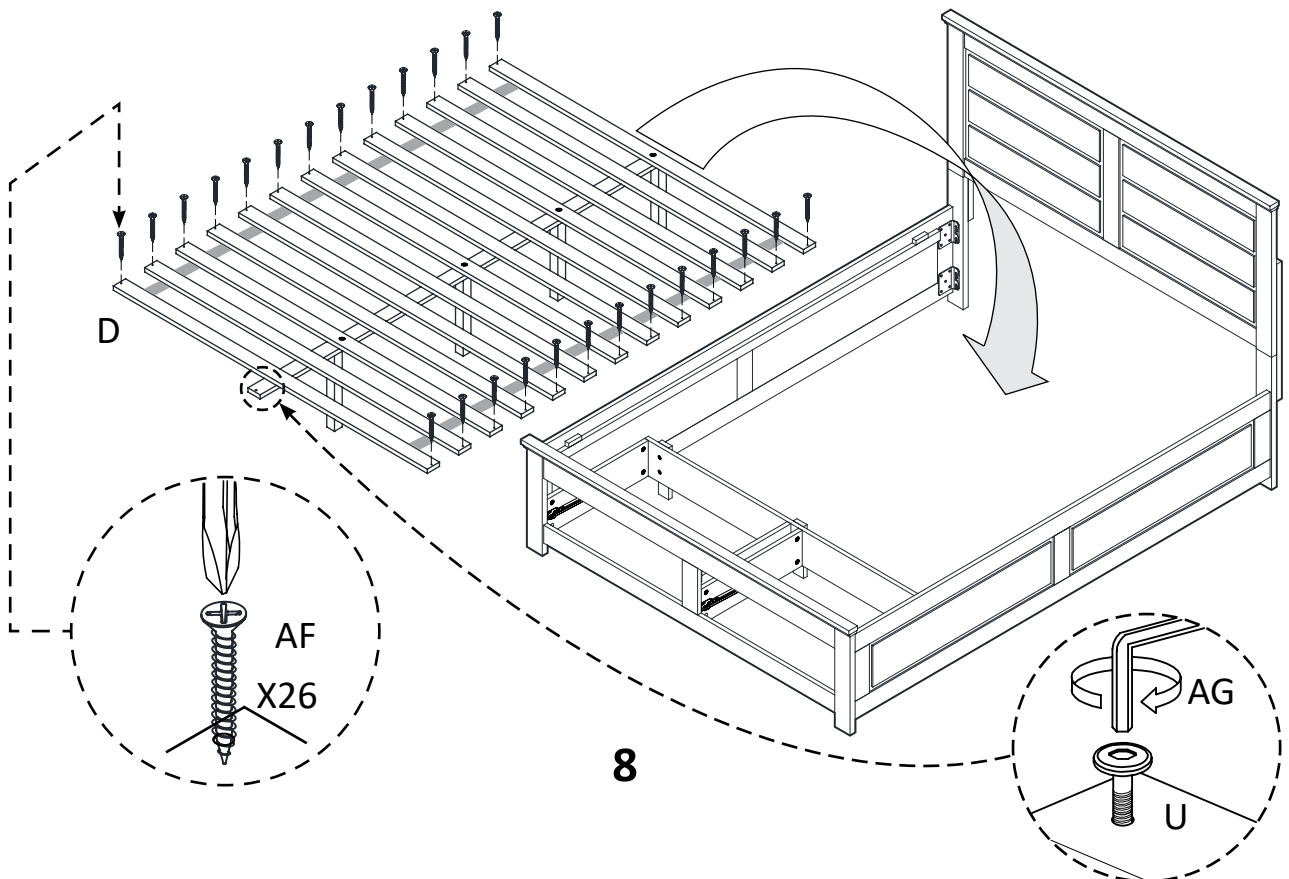


9

- (i) Spread the Slat (D) with bottom facing up. Place Slat Center Rail (E) and Slat Support Leg (F) on top of Slat (D).
- (ii) Please notice on FACING HEADBOARD sticker on Slat (D) to match on Slat Center Rail (E).
- (iii) From bottom of Slat (D) insert JCBC (V) to the holes and tighten using Allen Key (AG).

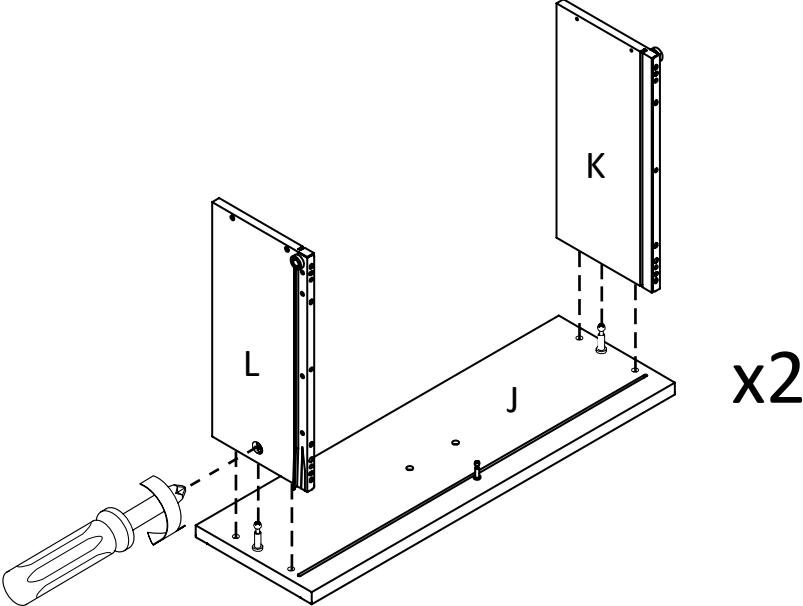
**10**

- (i) Attach Slats with Legs to top of Queen Bed / King Bed properly and insert JCBC (U) to the holes and tighten using Allen Key (AG).
- (ii) Tighten the Slat (D) with CBS (AF) using screwdriver (not provided).



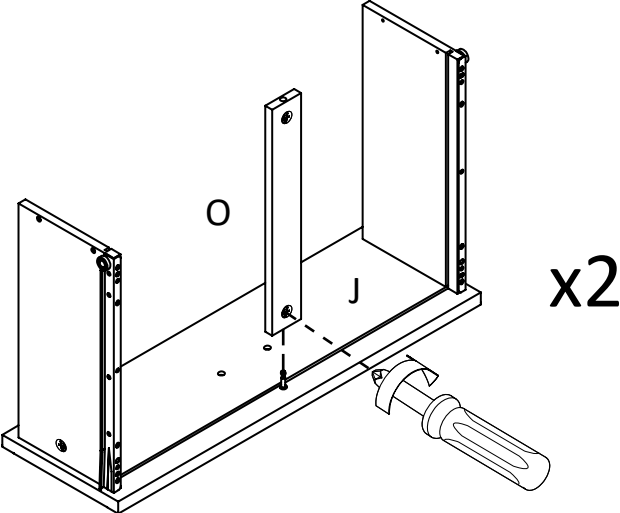
11

Attach Left Drawer Side (K) and Right Drawer Side (L) to Drawer Front (J) and fully tighten.



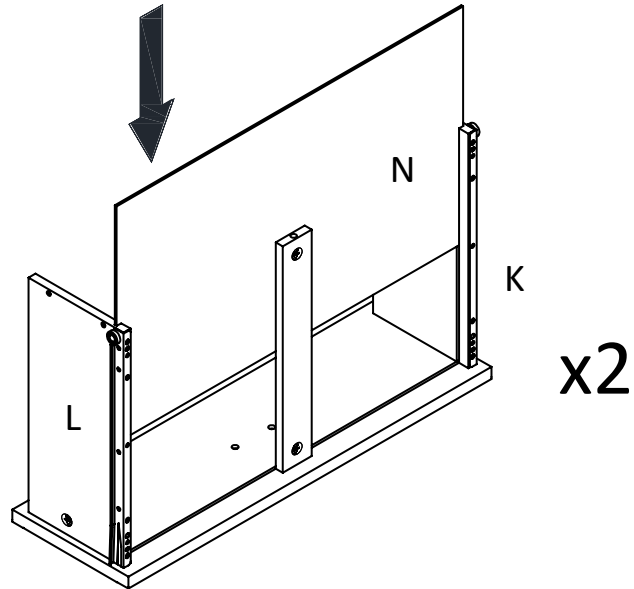
12

Attach Drawer Bottom Support (O) to Drawer Front (J) and fully tighten.

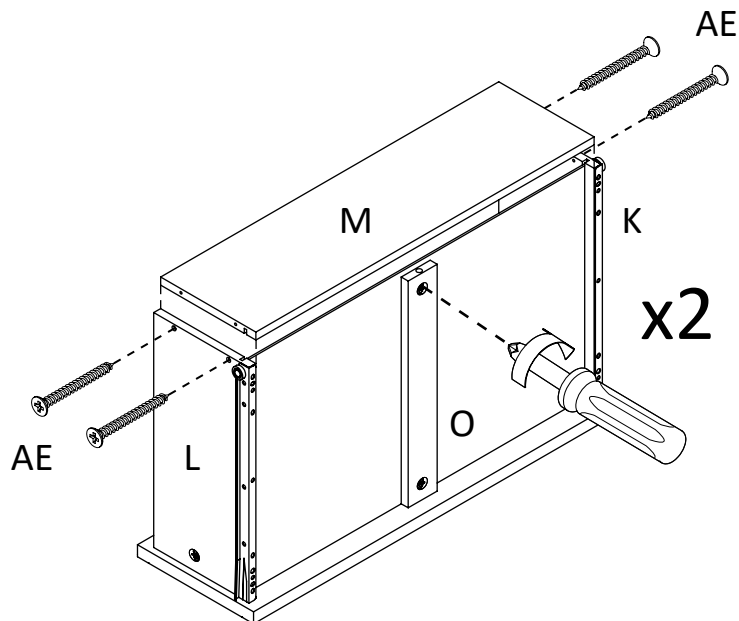


13

Slide in Drawer Bottom (N) to Left Drawer Side (K) and Right Drawer Side (L) groove.

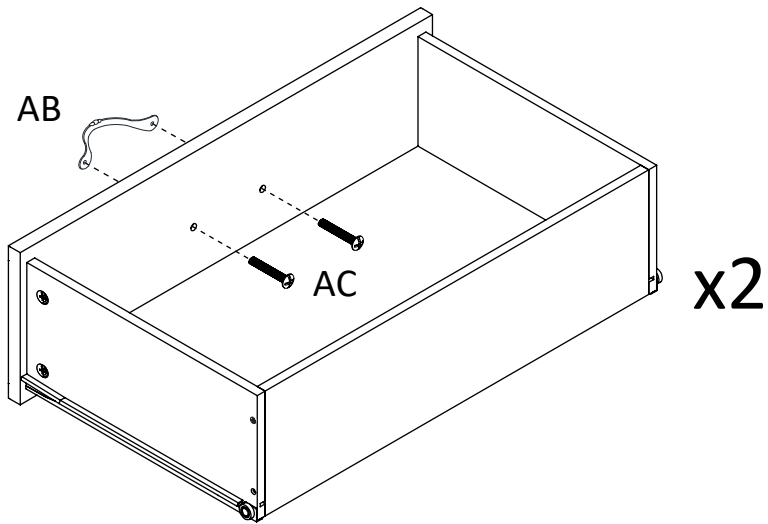
**14**

- (i) Attach Drawer Back (M) to Left Drawer Side (K) and Left Drawer Side (L) and insert CBS (AE) to the holes and fully tighten.
- (ii) Lock Drawer Bottom Support (O) tightly.



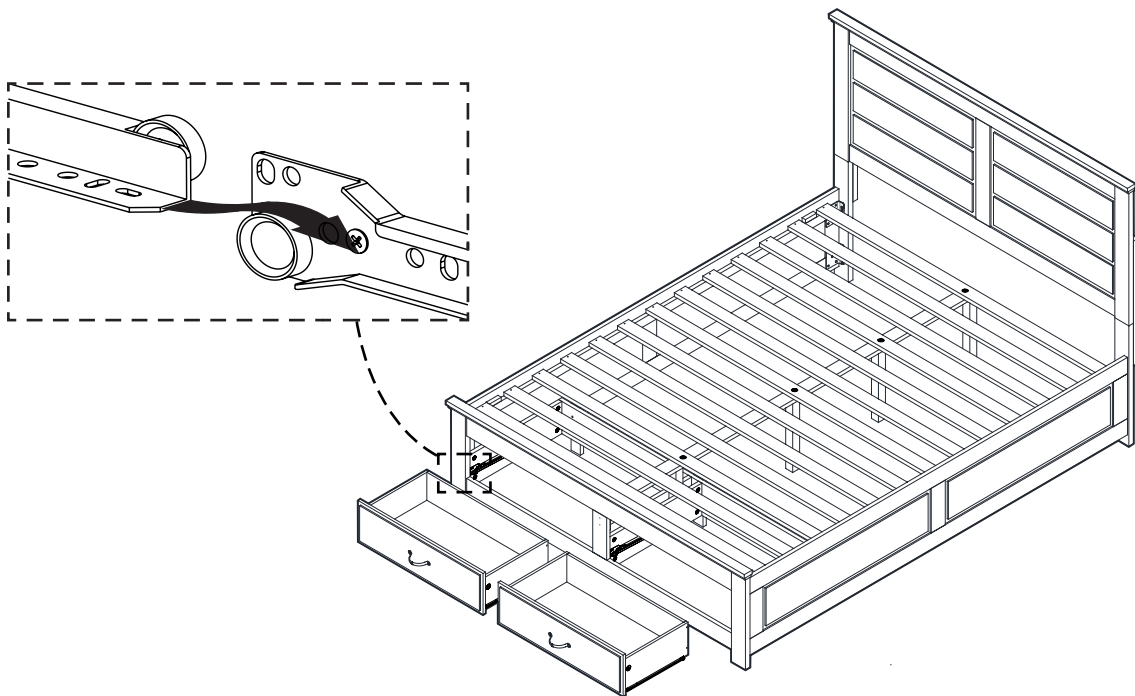
15

Attach Handle (AB) to Drawer Front (J) and insert PH (AC) to holes and tighten.



16

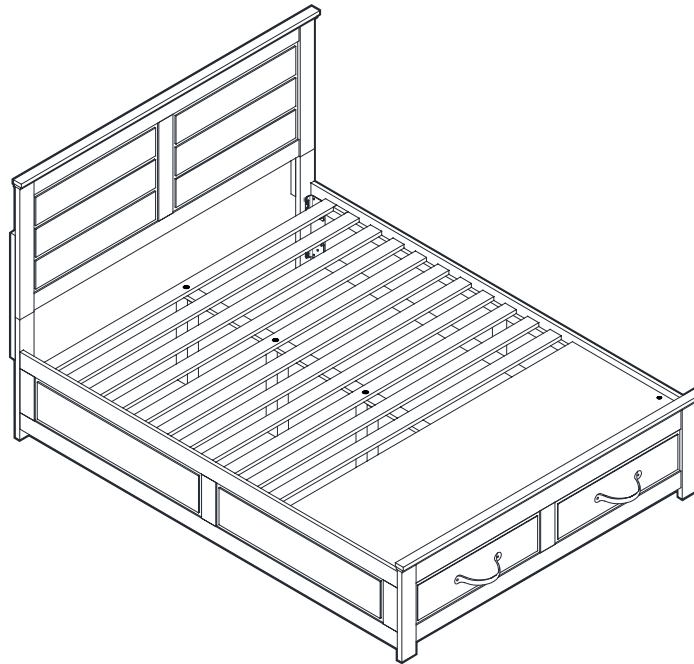
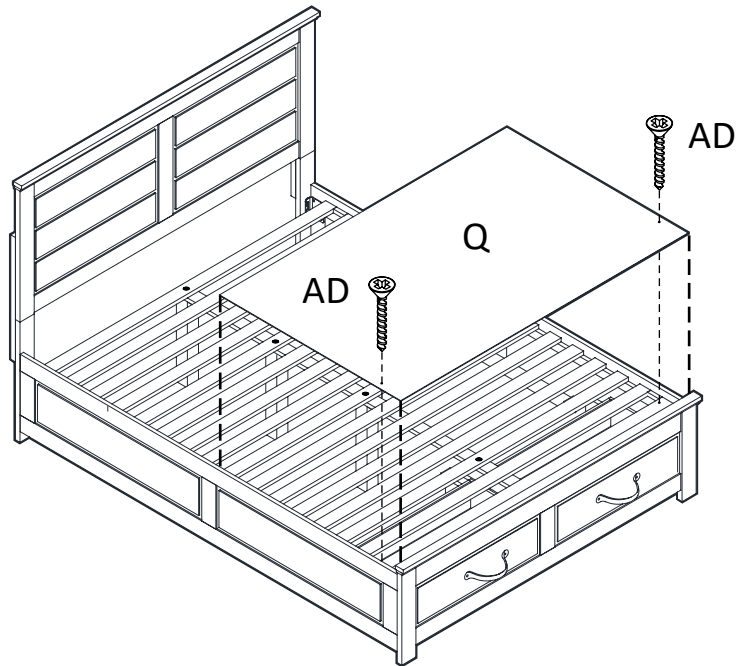
Slide in Drawer Box Sets properly as image below.



11

17

Attach Dust Cover (Q) and CBS (AD) to the top of Slats and Drawer area and fully tighten.



Cleaning & Care

Treat surface with care. Surface is resistant to scratches but is not scratch resistant. Clean surfaces with a dry or damp soft cloth. Do not use abrasive cleaners. Hardware may loosen over time. Periodically check that all connections are tight.