

Falmouth Outdoor Pendant

CO1054 1.0

VISUAL COMFORT & Co.

STUDIO COLLECTION

GENERAL PRODUCT INFORMATION:

These fixtures are intended to be installed utilizing NEC compliant junction boxes.

This product is safety listed for damp locations.

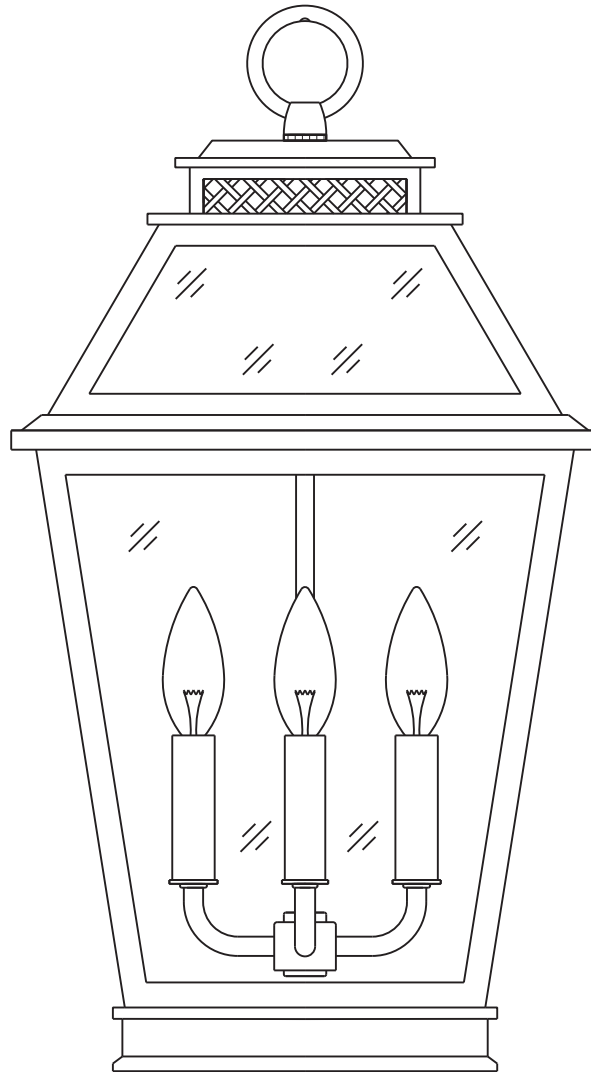
Incandescent lamps may be dimmed with a standard incandescent dimmer. LED lamps may be dimmed with a LED dimmer. Consult lamp manufacturer for additional information.

This instruction shows a typical installation.

CAUTION - RISK OF FIRE

This product must be installed in accordance with the applicable installation code by a person familiar with the construction and operation of the product and the hazards involved.

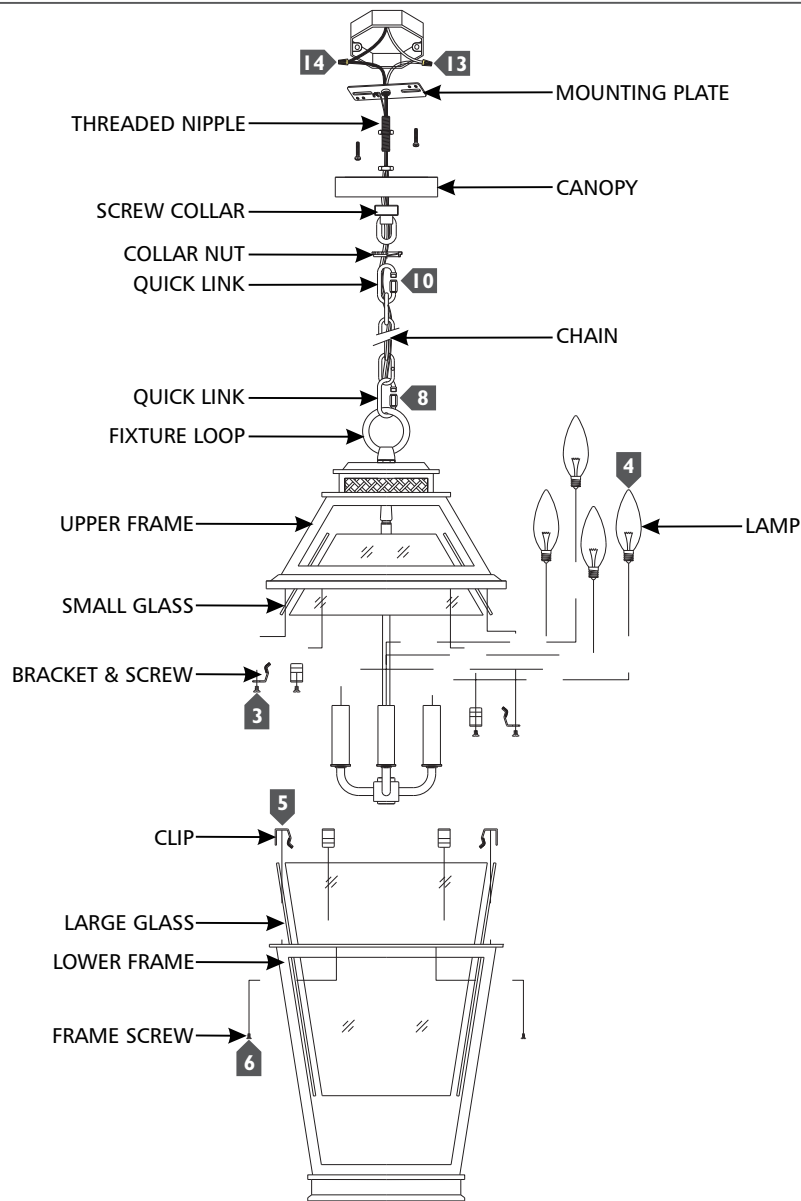
Use minimum 90°C supply conductors.



SAVE THESE INSTRUCTIONS!

Install the Fixture

IA



- 1** If necessary, screw the short end of the threaded nipple tightly onto the mounting plate, then screw the screw collar onto the threaded nipple.
- 2** Secure the mounting plate to the junction box.
- 3** Install the small glass to the upper frame and secure the glass in place using the brackets and screws.
- 4** Screw the lamps into the sockets. Refer to the label on the lamp socket for Max Wattage information.
- 5** Install the large glass to the lower frame and secure the glass in place using the clips.
- 6** Install the lower frame to the upper frame using the frame screws.
- 7** Determine the wanted height of the fixture and remove a portion of the chain from the bottom by opening a link with pliers.
- 8** Install a quick link to bottom end of the chain, then secure the quick link onto the fixture loop.
- 9** Unscrew the collar nut from the screw collar, then install the collar nut and the canopy onto the chain (in that order).
- 10** Install a quick link onto the remaining end of the chain, then secure the quick link onto the screw collar.
- 11** Weave the cord through the chain, collar nut, and canopy, threaded nipple, and out of the junction box. Trim the cord leaving enough to make electrical connections.
- 12** Connect the fixture to a suitable ground in accordance to local electrical codes.
- 13** Connect the white fixture wire (square and/or rigid) to the neutral power line wire with a wire nut.
- 14** Connect the black fixture wire (round and/or smooth) to the hot power line wire with a wire nut.
- 15** Neatly place all the wires into the junction box, place the canopy onto the mounting plate, and secure it in place by screwing the collar nut tightly onto the screw collar.