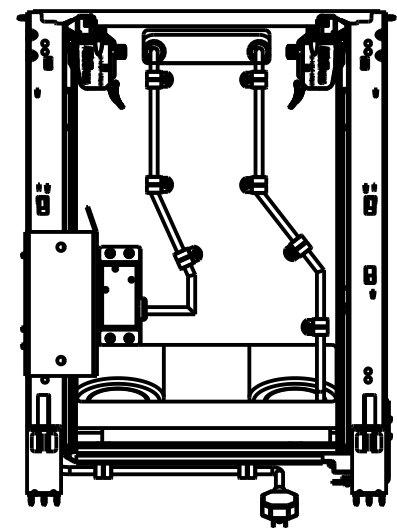
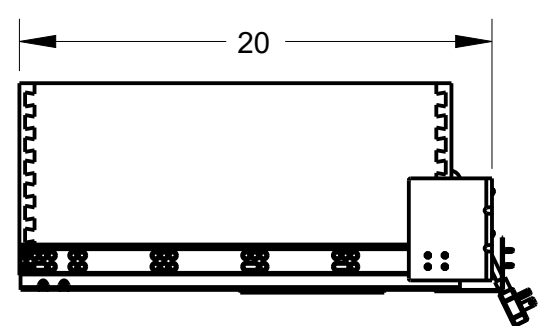
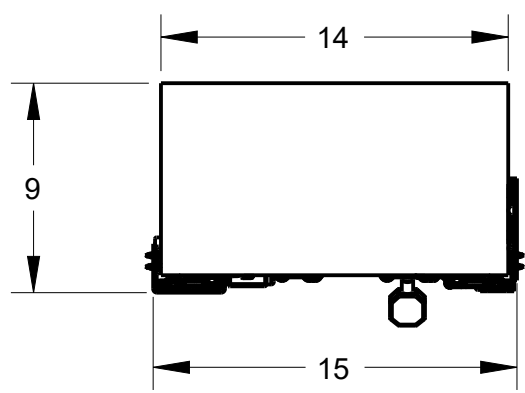
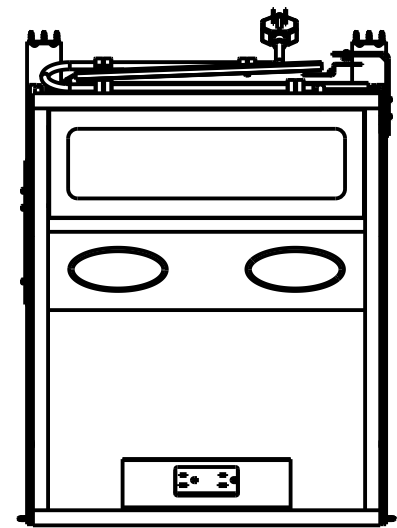
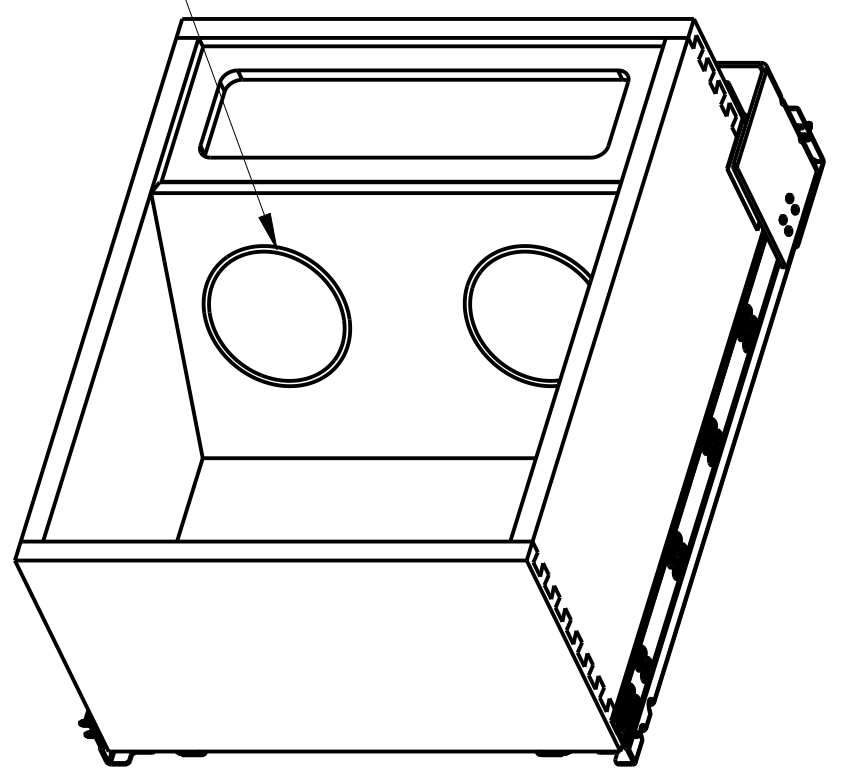
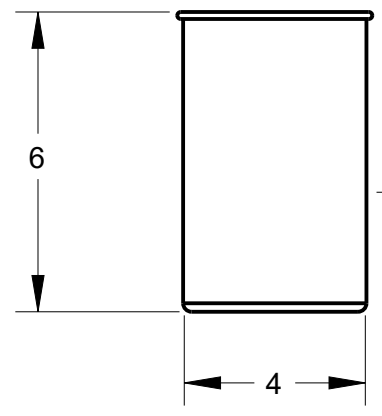


8 7 6 5 4 3 2 1

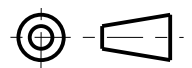
F E D C B A



STEEL CANISTERS (QTY = 2)



THIRD ANGLE PROJECTION



MATERIAL	FINISH
N/A	N/A
DRAWN BY JOEL GOMEZ	DATE 18JUN2021
DESIGNED BY JOEL GOMEZ	DATE 18JUN2021
APPROVED BY MARISA SANCHEZ	DATE 18JUN2021

**hardware resources**

DESCRIPTION		
15" POWERED VANITY DRAWER		
DRAWING NUMBER	REV	
PVGD15-SC	A	
SIZE	SCALE	SHEET
A3	0.125	1 / 1

DOCUMENT STATUS Released

HARDWARE RESOURCES RESERVES THE RIGHT TO CHANGE SPECIFICATIONS WITHOUT NOTICE. IN CASE OF A DISCREPANCY, ACTUAL PART GEOMETRY SUPERSEDES THIS DOCUMENT.

THE INFORMATION CONTAINED WITHIN THIS DRAWING IS THE SOLE PROPERTY OF HARDWARE RESOURCES INC. ANY REPRODUCTION IN PART OR WHOLE WITHOUT WRITTEN PERMISSION OF HARDWARE RESOURCES INC. IS PROHIBITED.

A

8 7 6 5 4 3 2 1