



Accord®
48" x 36" Vikrell® shower, center drain
72260100



Features

- 3-1/2" (89 mm) threshold
- Durable high-gloss finish
- Pivot snap-together modular design
- Geometric back-wall design
- Convenient shelves provide generous storage space

Material

- Made from solid Vikrell® material for strength, durability, and lasting beauty

Installation

- Alcove
- Center drain
- Caulk-free installation

Included Components

- 72245100 36" Vikrell® shower end wall set
- 72261100 48" x 36" Vikrell® shower base, center drain
- 72262100 48" Vikrell® shower back wall

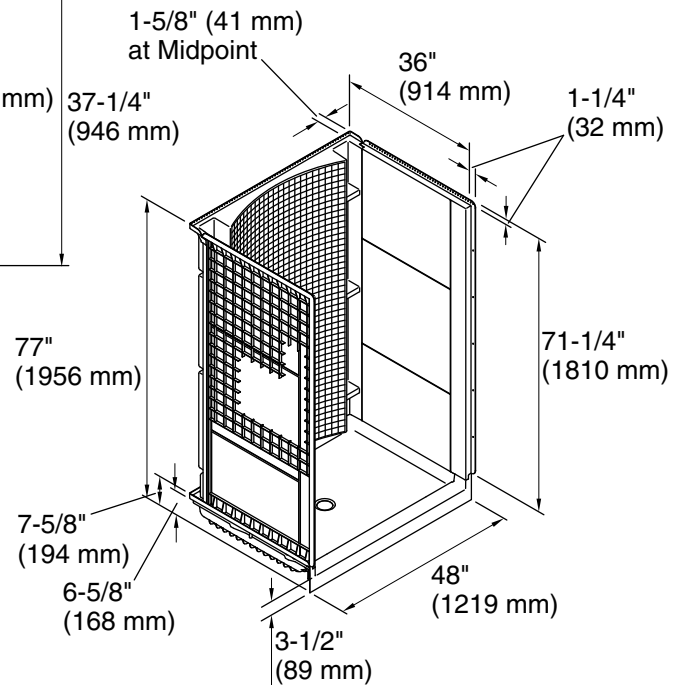
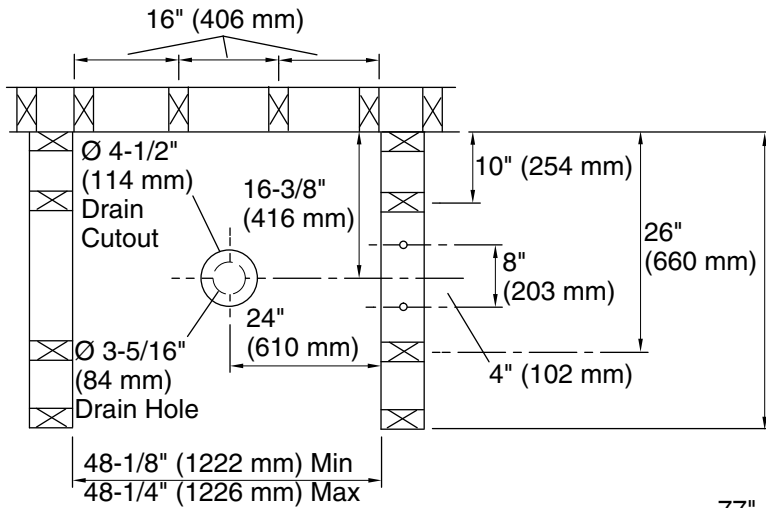


Codes/Standards

- CSA B45.5/IAPMO Z124
- ASTM E162
- ASTM E662
- HUD, UM Bulletin 73

STERLING® Vikrell® or Acrylic Baths and Shower Bases Ten-Year Limited Warranty

See website for detailed warranty information.



Technical Information

All product dimensions are nominal.

Drain location:	Center
Minimum flat for door:	3-1/4" (83 mm)
Maximum door height:	72" (1829 mm)
Maximum door width:	44-5/8" (1133 mm)

Notes

- Install this product according to the installation instructions.
- Studs should be positioned roughly as shown. Double studding is recommended for pivot shower door installations.
- Base cannot be installed without the wall surround.