

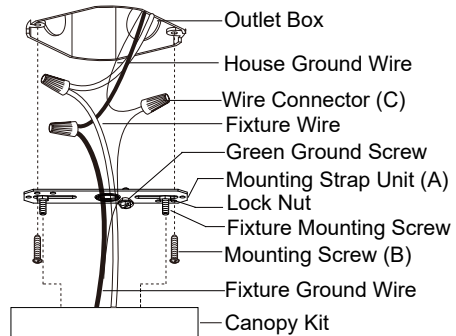
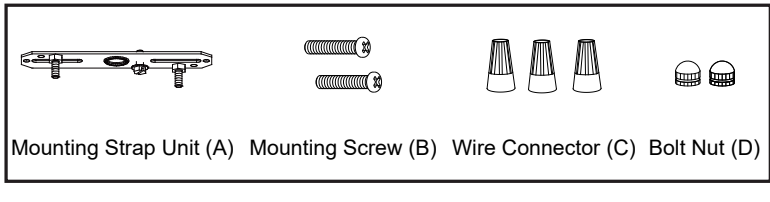
ASSEMBLY AND INSTALLATION INSTRUCTIONS

H0305

WARNING: TO AVOID RISK OF ELECTRICAL SHOCK, BE SURE TO SHUT OFF POWER WHILE INSTALLING OR SERVICING THIS FIXTURE.

NOTE: 1. Before installing, consult local electrical codes for wiring and grounding requirements.
2. Read and save this instruction.

Hardware Package (included):



Installation Steps

Turn off the power at fuse or circuit box

1. Attach the mounting strap unit (A) to the outlet box by using two mounting screws (B).
2. Adjust the arms of the fixture according to the picture on the package.
Important:
 - a. The arms should be positioned with equal distances between them.
 - b. The arms should be fixed securely.

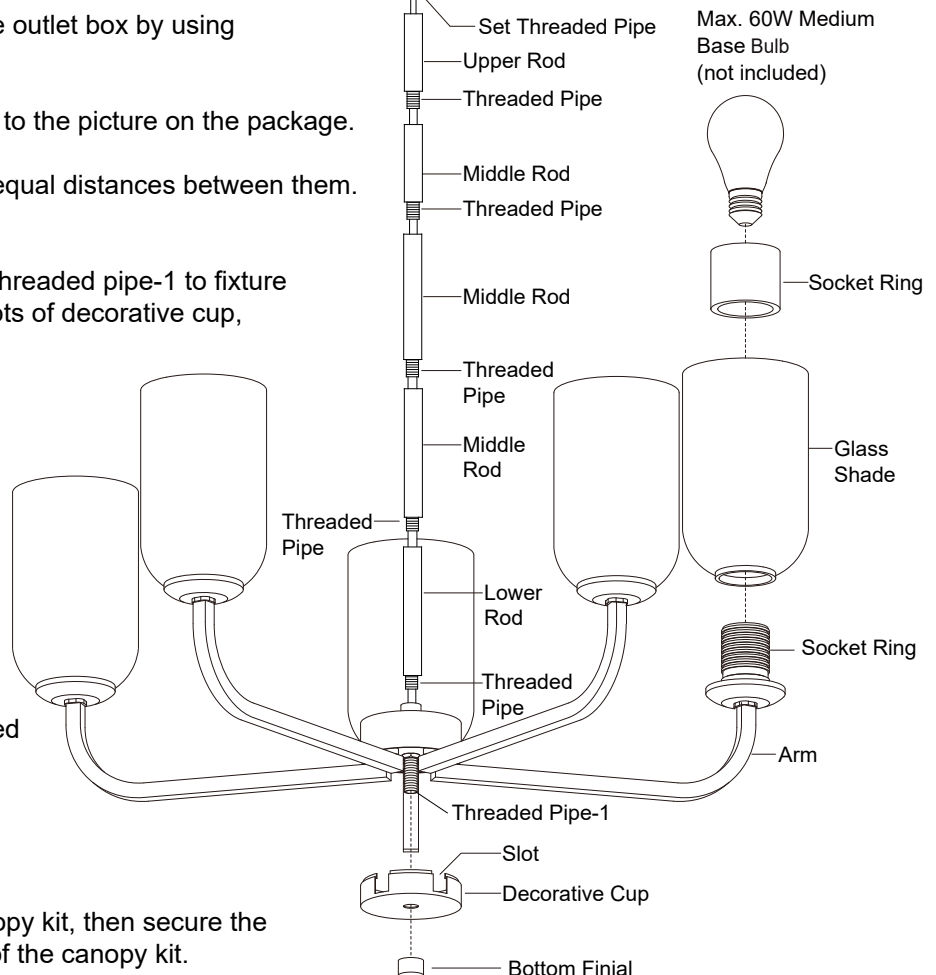
3. Slip the decorative cup up through the threaded pipe-1 to fixture as five bottom arms engage into five slots of decorative cup, secure it with the bottom finial.

4. Rod Connections:
 - a. Thread the fixture wires through the lower rod, then secure the lower rod onto fixture using the threaded pipe.
 - b. Thread the fixture wires through the middle rod and then secure the middle rod onto the lower rod using the threaded pipe.
 - c. Thread the fixture wires through the upper rod, then secure the upper rod onto the middle rod using the threaded pipe.

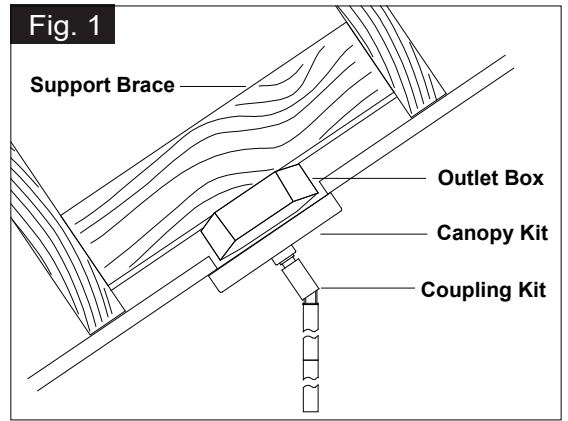
Note: Length adjustable from 17-1/4" to 53-1/4". Use fewer rods if shorter length is desired.

5. Thread the fixture wire through the canopy kit, then secure the rod assembly to the set threaded pipe of the canopy kit.

6. Pull out the source wires from the outlet box. Make wire connections using wire connectors (C) as follows:
 - Connect the hot wire (black insulation) from the fixture to the black wire from the power source.
 - Connect the neutral wire (white insulation) from the fixture to the white wire from the power source.
 - Attach the fixture ground wire (bare wire) to the mounting strap unit (A) with green ground screw, then depending on local code, connect it to the house ground wire with the wire connector (C).
 Carefully put the wires back into the outlet box.



7. Attach the canopy kit to the mounting strap unit (A) by inserting the fixture mounting screws, then secure it with two bolt nuts (D).
8. Attach the glass shades to the socket carefully, then secure them with the socket rings.
9. Install 5 x 60W Max. medium base bulbs (not included). See relamping label at socket area or packaging for maximum wattage allowed.
10. Angled mounting recommended for a vaulted or angled ceiling. (See Fig.1)

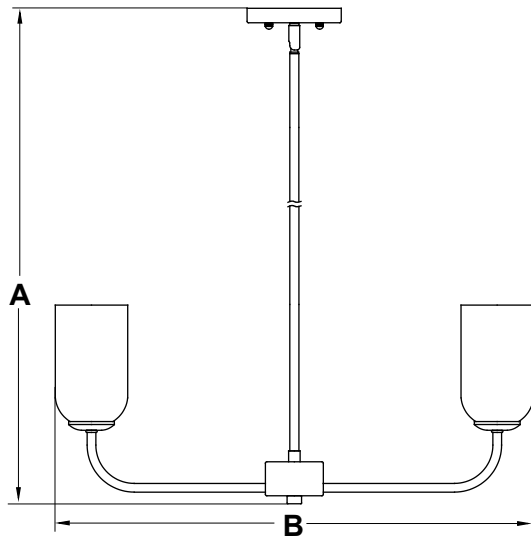


Turn on the power at fuse or circuit box

The following parts are available for reorder if damaged or missing.

Spare Parts List:

Mounting Strap Unit (A)	Mounting Screw (B)	Wire Connector (C)	Bolt Nut (D)	12" Rod 3389RD	6" Rod 3388RD
↓ Mounting Hardware 6834MM (1SET)					
				Socket Ring 1134SR	Glass Shade 10424FO



A: 17-1/4"~53-1/4"
B: 26"

1 Year Warranty

Vaxcel warrants all of our products against defects in workmanship and finishes for one year following the date of shipment.

Exclusions: This warranty does not include the failure of products from extreme acts of nature; environmental conditions not suited for the products intended use; operation in temperatures outside of the range specified in the instruction manual; usage with improper power supply, power surges or dips. For coastal locations, some corrosion is considered normal for the environment.

Vaxcel reserves the right to repair, replace or issue a credit for any properly installed product, provided it is returned per RMA instruction. This warranty is limited to the cost of the product only and does not extend to transportation, installation or replacement costs.

How can warranty service be obtained?

info@vaxcel.com

1-800-482-9235