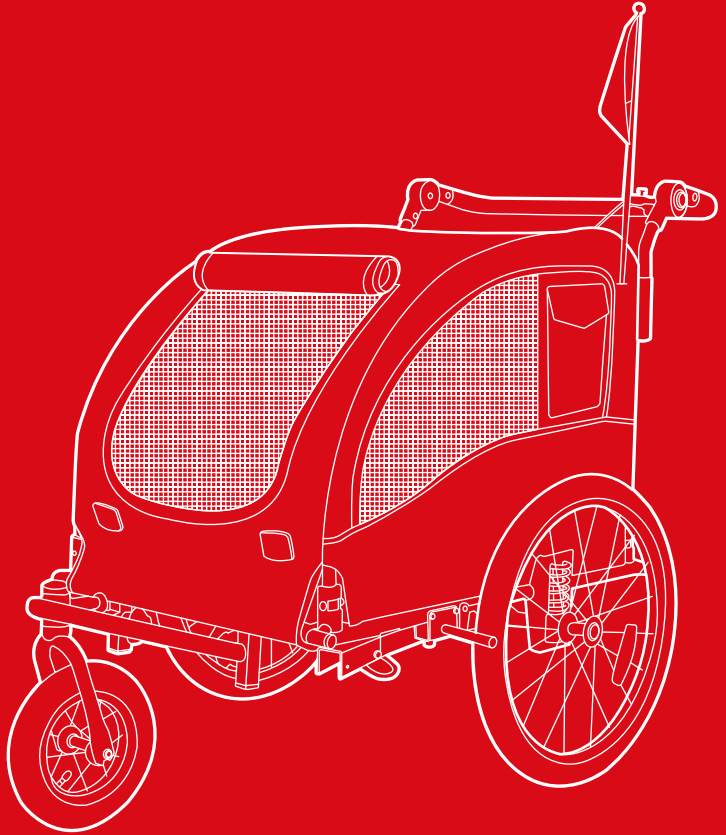




bestchoiceproducts



INSTRUCTION MANUAL

Pet Trailer/Stroller

SAFETY

Please retain these instructions for future reference.

- Firmly secure all bolts, screws, and knobs before use.
- Reconfirm that all bolts, screws, and knobs are secure every 90 days.
- Do not load more than 66 pounds on this trailer.
- Do not modify the trailer or attach additional loads.
- The maximum allowed speed of the trailer is 10 miles/hour.
- Do not use the trailer on rocky or dangerous roads.
- The trailer is constructed of durable polyester and is coated to be water-resistant.
- Check the air pressure of the tires before every use.
- Make sure that all parts of the trailer are properly connected before every use.
- Be careful when riding in traffic and be aware of cars on the road. Slow down on turns and slopes.
- If any parts are missing, broken, damaged, or worn, stop using this item until repairs are made and/or factory replacement parts are installed.
- Do not use this item in a way inconsistent with the manufacturer's instructions as this could void the product warranty.

⚠ WARNING

- Be aware that this trailer can tip over and cause damage to the trailer and/or possible serious injury.
- The following can cause the trailer to tip over:
 - Colliding with a road obstruction
 - Taking turns at an unsafe speed
 - Sudden swerving
 - Banked turns
 - Improper wheel installation or a loose connection
 - Improper air pressure in the tires

TOOLS REQUIRED



66 LBS
CAPACITY



HARDWARE

1 BRAKE BAR



2 PCS

2 BRAKE WASHER



2 PCS

3 BRAKE BOLT



2 PCS

PARTS

A SAFETY FLAG



1 PC

B BACK WHEEL



2 PCS

C HANDLE BAR



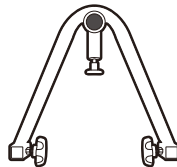
1 PC

D FRONT WHEEL



1 PC

E FORK



1 PC

F REFLECTOR



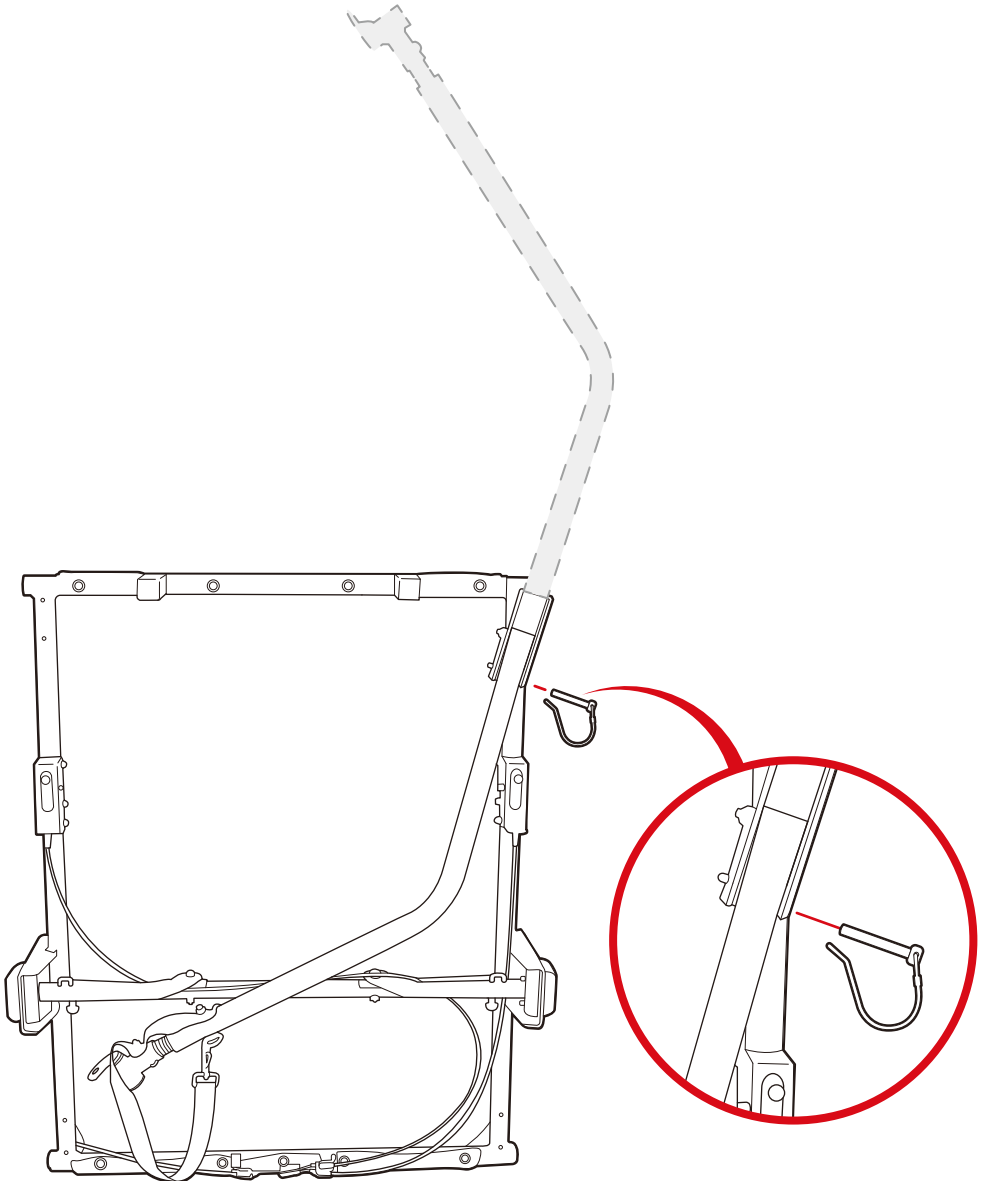
2 PCS

TRAILER ASSEMBLY

1

Unclip and remove the metal pin from the towing bar underneath the trailer. Unfold the bar so it is positioned in the front of the trailer.

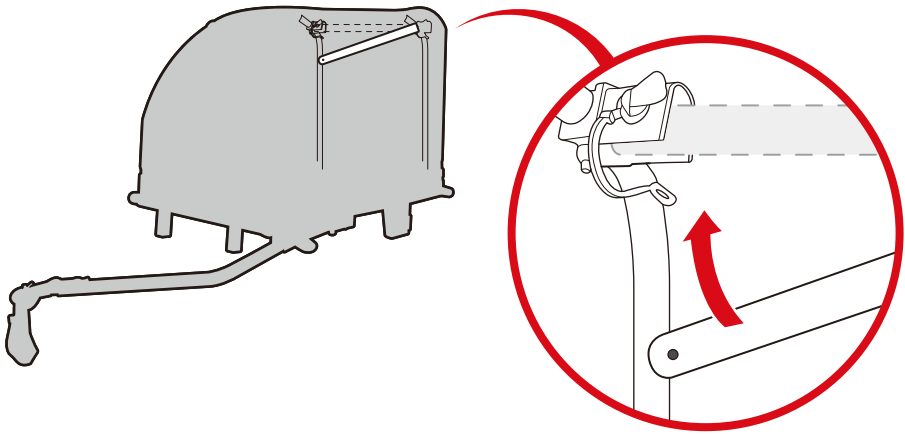
Replace the metal pin and clip to secure the towing bar in place.



TRAILER ASSEMBLY

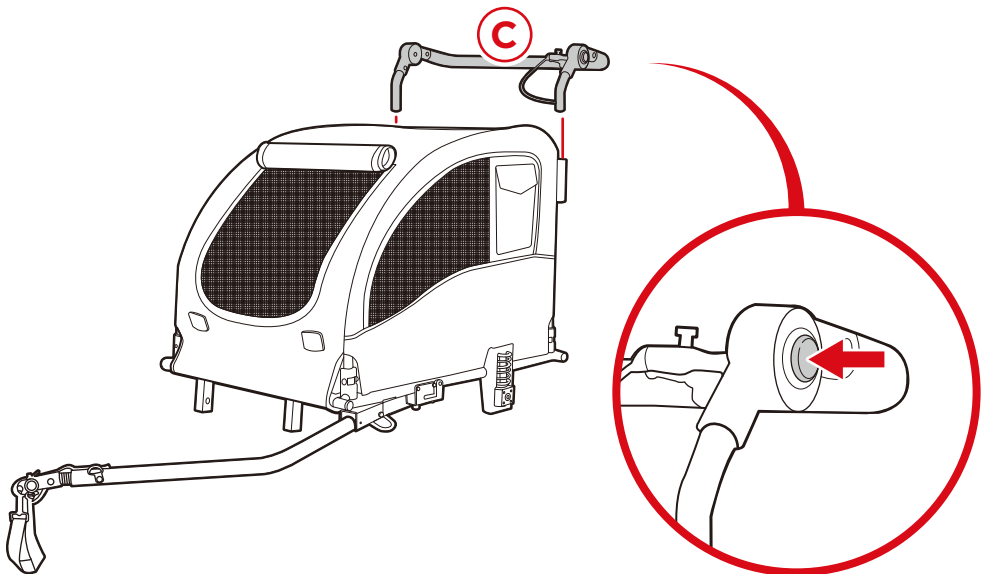
2

Inside the trailer, lift the metal bar to form the top frame. Secure it to the frame with the attached metal pin and clip.



3

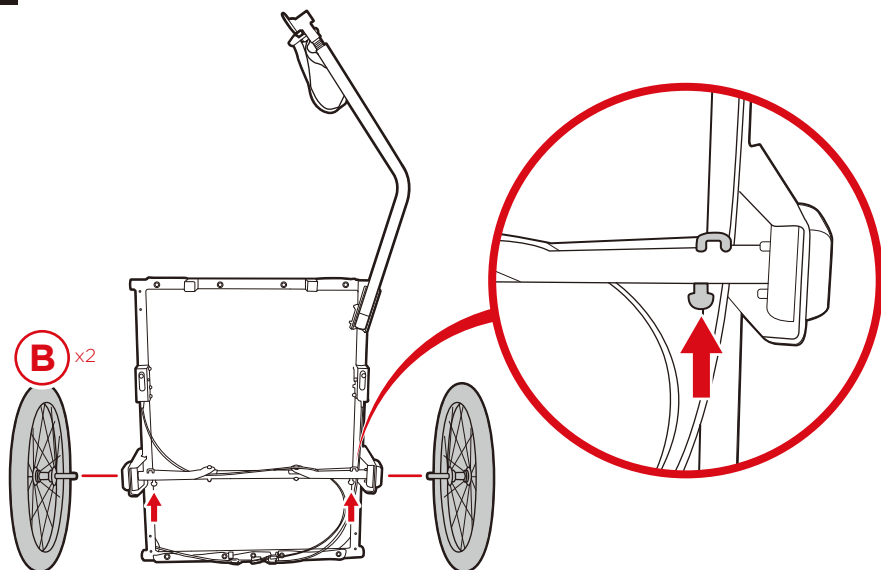
Insert the part C handlebar into the trailer. Press the buttons on the sides of the handlebar to adjust it to your desired position. Compress the metal pins while inserting the handlebar to lock it in place.



TRAILER ASSEMBLY

4

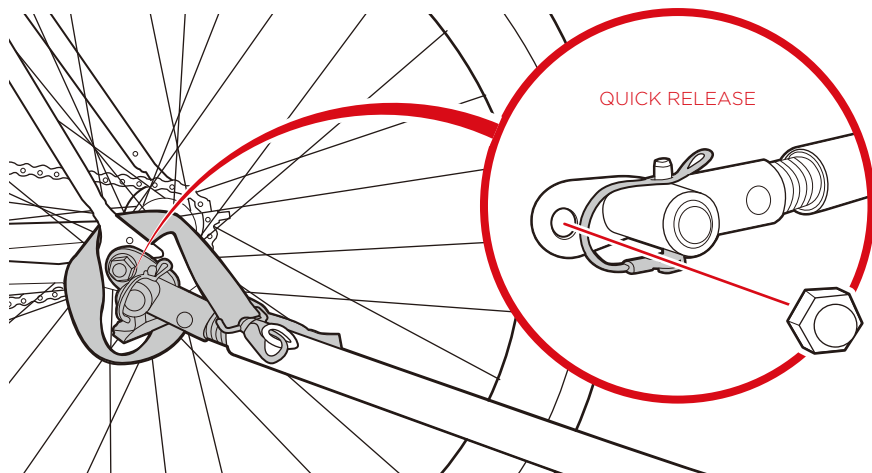
Slide on a part B back wheel. Compress the button behind the wheel while inserting and it will lock in place. Pull on the wheel to make sure it is secure. Repeat on the other side to install the other back wheel.



5

Remove the bolt on the rear wheel axle of your bike. Place the coupling piece on the end of the towing bar between the bolt and bike frame, then replace the bolt to secure it in place. Wrap the safety strap around the frame for added security.

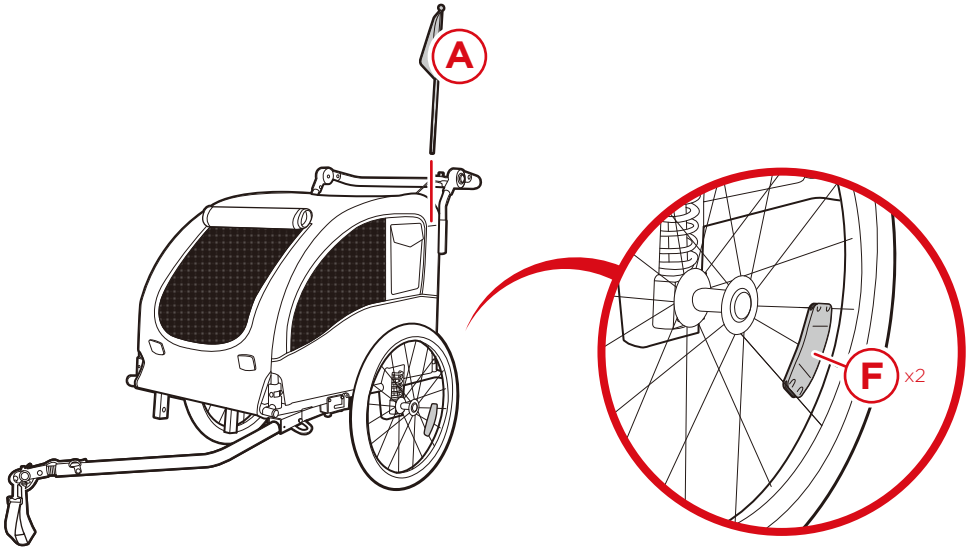
QUICK RELEASE: Unclip and remove the metal pin from the end of the towing bar to remove the coupling piece. Leave the coupling piece on your bike so you can easily attach and remove the trailer.



TRAILER ASSEMBLY

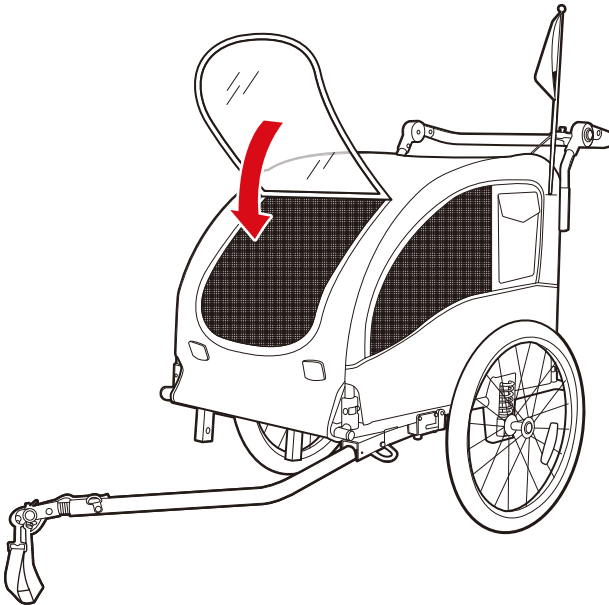
6

Insert the part A safety flag into the slot on the left side of the trailer.
Snap two part F reflectors onto the spokes of the wheels, one reflector per wheel.



7

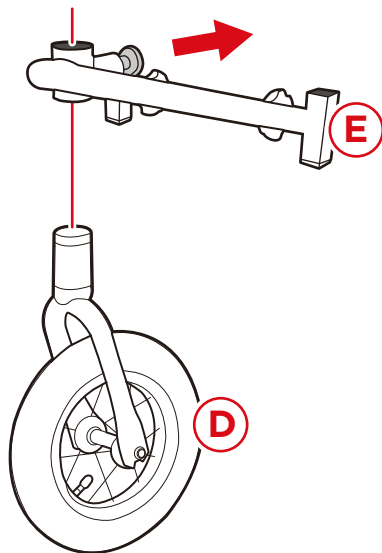
In case of rain, pull down and zip the transparent rain protector.



STROLLER ASSEMBLY

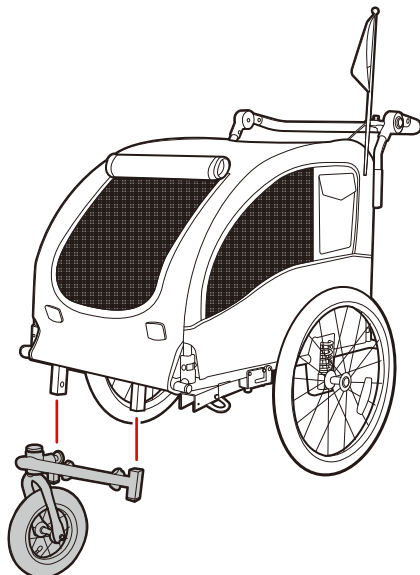
1

Pull out the front knob on the part E fork, slide in the part D front wheel, and release the knob.



2

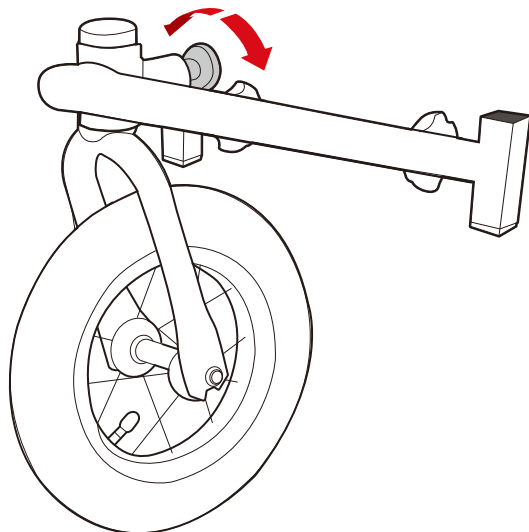
Loosen the two back knobs on the part E fork, slide the fork/wheel onto the front of the trailer, and then tighten the knobs.



STROLLER ASSEMBLY

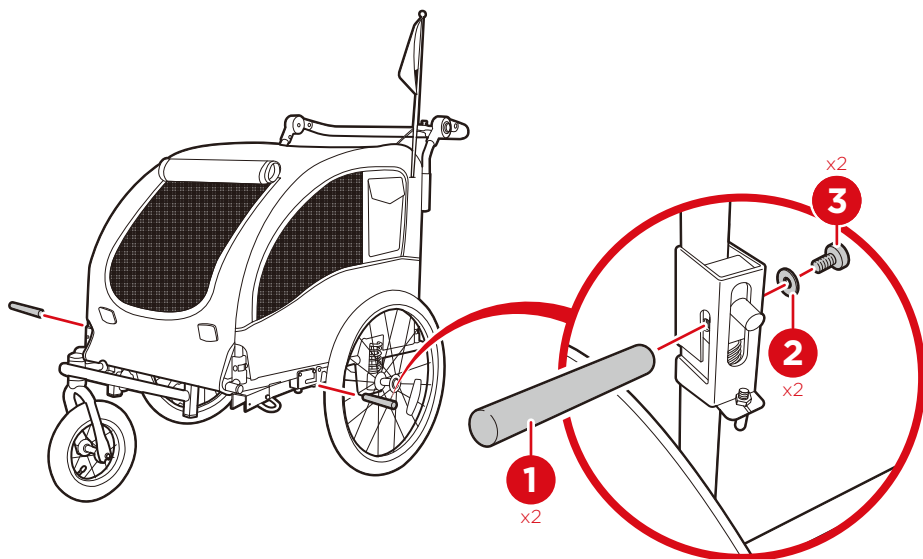
3

Use the front knob on the fork to set the range of motion of the wheel. Turn the knob to LOCK to set the wheel position in one place. Turn the knob to UNLOCK to allow the wheel to move freely.



4

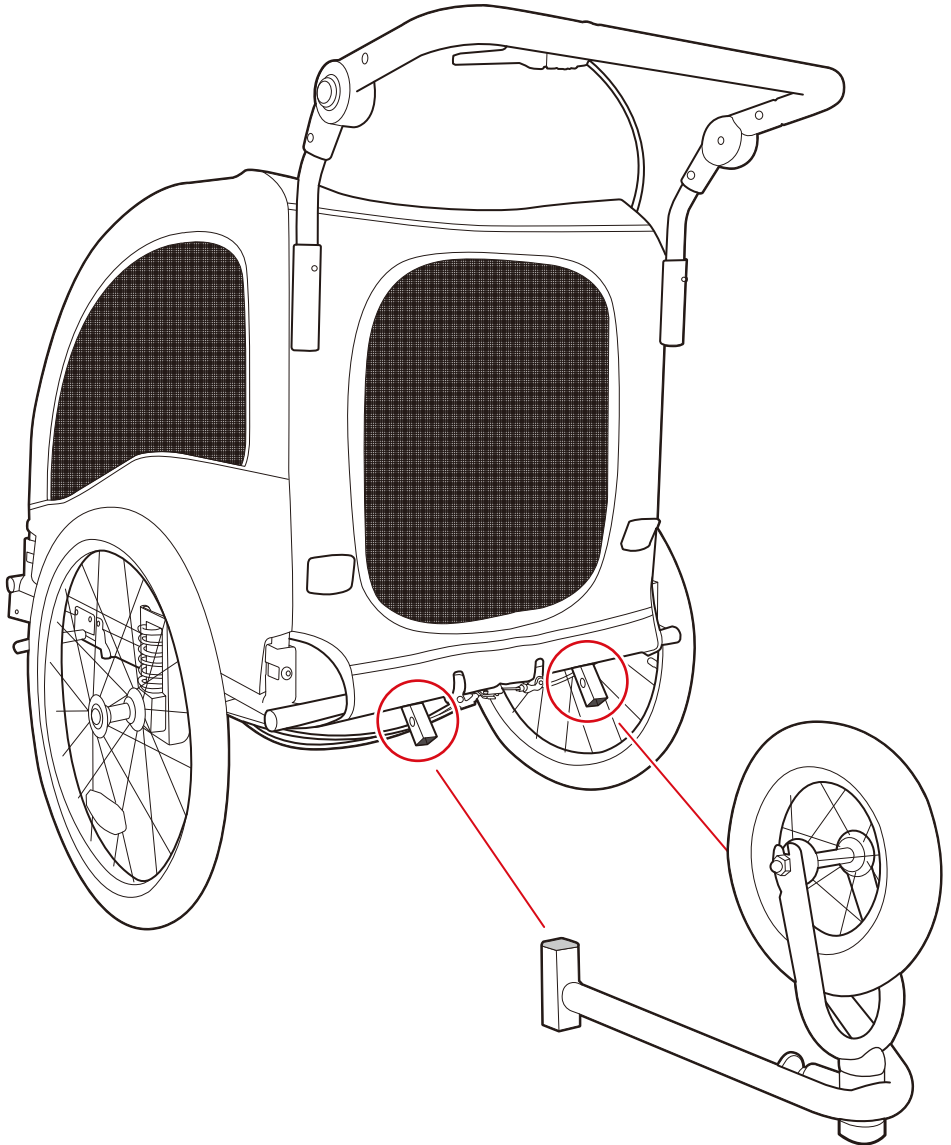
To use the hand brake, insert a part 1 brake bar into the hole on the side of the brake mechanism. Secure the bar with a part 2 washer and a part 3 bolt. Repeat on the other side. Compress the hand brake to stop the wheels.



STROLLER ASSEMBLY

5

If switching to the bike trailer function, remove the fork/wheel and secure it in the designated spot on the back of the trailer.



CARE AND STORAGE

- Clean the fabric with mild soap or detergent and warm water. Use a nylon bristle brush to remove difficult stains. Do not clean with bleach or abrasive chemicals.
- Wipe trailer dry before storing it.
- Store in a dry and well-ventilated area.
- Avoid storing in direct sunlight.

USER WARNINGS AND TIPS

- Be aware that because of the trailer's weight, it will take additional time for you to start and stop while on a bicycle. Make sure to factor in additional time when crossing streets or paths.
- The trailer may only be pulled by a fit and capable adult who has experience riding a bicycle. The adult must have sound judgement, good eyesight and hearing, and enough strength to pull the trailer.
- Do not cycle or walk with headphones or other distractions. You must be able to hear the surrounding traffic.
- Do not pull the trailer with a motorized vehicle.
- Do not use the trailer off-road or on uneven ground, sand, gravel, ice, oil, or other slippery surfaces. If you must pass over a slippery surface, walk your bike and trailer.
- Take extra care using this trailer in wet, rainy, or freezing conditions.
- Avoid using this trailer at night or in dark conditions. If you must use the trailer at night, wear reflective clothing and use bright headlights/taillights.
- Make sure that the wheels are properly maintained.
- Do not replace the tires with high-pressure tires.
- Always use the safety flag to make yourself more visible to motorist and other cyclists.
- Always follow traffic laws and local/state bicycling regulations when using this trailer.



HELP CENTER



Question about your product? We're here to help. Visit us at:

help.bestchoiceproducts.com



Chat Support



Product Inquiry



Orders FAQ



Product Assembly



Returns & Refunds

PRODUCT WARRANTY INFORMATION

All items can be returned for any reason within 60 days of the receipt and will receive a full refund as long as the item is returned in its original product packaging and all accessories from its original shipment are included. All returned items will receive a full refund back to the original payment method. All returned items will not be charged a re-stocking fee.

All returned items require an RA (Return Authorization) number, which can only be provided by a Best Choice Products Customer Service Representative when the return request is submitted. Items received without an RA may not be accepted or may increase your return processing time. Once an item has been received by Best Choice Products, refunds or replacements will be processed within 5 business days.

All returns must be shipped back to the Best Choice Products Return Center at the customer's expense. If the reason for return is a result of an error by Best Choice Products then Best Choice Products will provide a pre-paid shipping label via email. Boxes for return shipping will not be provided by Best Choice Products, and is the customer's responsibility to either use the original shipping boxes or purchase new boxes.

Pictures may be required for some returns to ensure an item is not damaged prior to its return. Items returned are not considered undamaged until they are received by Best Choice Products and verified as such. All damages to items are the customer's responsibility until the item has been received by and acknowledge by Best Choice Products as undamaged.

WARNING

Manufacturer and seller expressly disclaim any and all liability for personal injury, property damage or loss, whether direct, indirect, or incidental, resulting from the incorrect attachment, improper use, inadequate maintenance, unapproved modification, or neglect of this product.