

OWNER'S MANUAL

# 36" GRIDDLE DROP-IN KITCHEN MODULE

## TABLE OF CONTENTS

ASSEMBLY GUIDE .....	02
ACTIVATE YOUR WARRANTY .....	09



Latest version of the manual:  
[BlackstoneProducts.com/support](http://BlackstoneProducts.com/support)

### IMPORTANT:

This instruction manual contains important information necessary for the proper assembly and safe use of the appliance.

Read and follow all warnings and instructions before assembling and using the appliance.

Follow all warnings and instructions when using the appliance.

Keep this manual for future reference.

Installer/Assembler: Leave these instructions with the consumer.

### SAFETY ALERT KEY

**⚠ DANGER**

Indicates a hazardous situation that, if not avoided, will result in death or serious injury.

**⚠ CAUTION**

Indicates a hazardous situation that, if not avoided, could result in minor or moderate injury.

**⚠ WARNING**

Indicates a hazardous situation that, if not avoided, could result in death or serious injury.

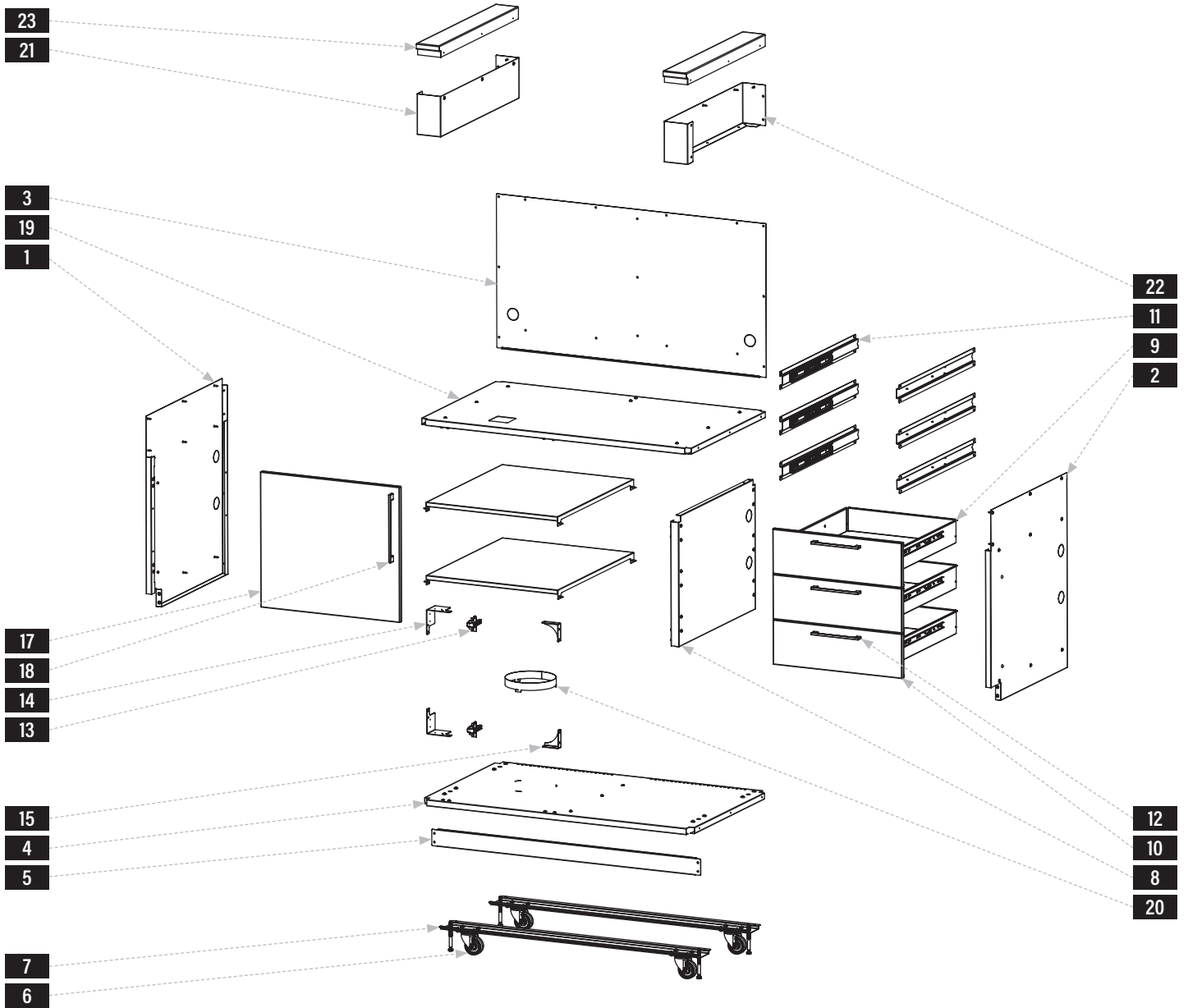
**NOTICE**

Indicates information considered important, but not hazard-related (e.g. messages related to property damage).

# ASSEMBLY GUIDE

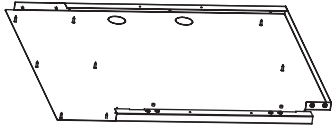
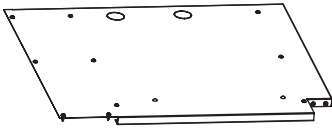
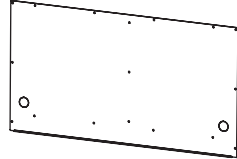
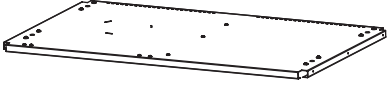
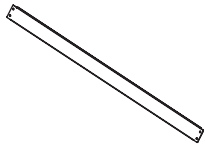


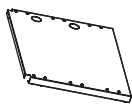
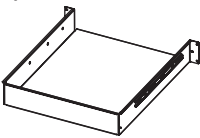
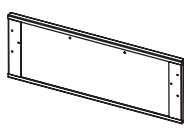
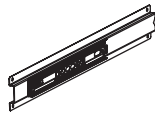

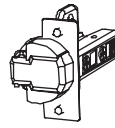


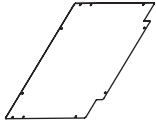
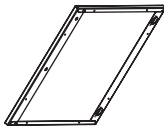

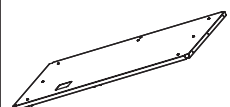
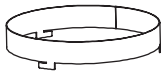
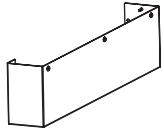
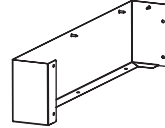
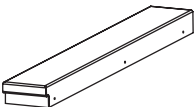


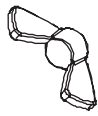
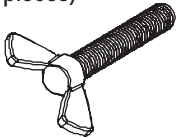



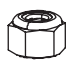



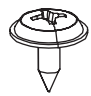

## EXPLODED VIEW

ENGLISH





**PARTS LIST**

<b>1</b> Left cabinet panel (1 piece) 		<b>2</b> Right cabinet panel (1 piece) 		<b>3</b> Rear cabinet panel (1 piece) 	
<b>4</b> Cart base (1 piece) 		<b>5</b> Toe kick (1 piece) 	<b>6</b> Caster wheels (4 pieces) 	<b>7</b> Caster plates (2 pieces) 	<b>8</b> Center cabinet panel (1 piece) 
<b>9</b> Drawer bodies (3 pieces) 	<b>10</b> Front drawer panels (3 pieces) 	<b>11</b> Drawer slide mounts (6 pieces) 	<b>12</b> Drawer handles (3 pieces) 	<b>13</b> Door hinges (2 pieces) 	<b>14</b> Left corner braces (2 pieces) 
<b>15</b> Right corner braces (2 pieces) 	<b>16</b> Door inner panel (1 piece) 	<b>17</b> Door front panel (1 piece) 	<b>18</b> Door handle (1 piece) 	<b>19</b> Cabinet top (1 piece) 	<b>20</b> LPG cradle (1 piece) 
<b>21</b> Left countertop panel (1 piece) 	<b>22</b> Right countertop panel (1 piece) 	<b>23</b> Countertop slabs (2 pieces) 			
<b>a.</b> Leveling feet (4 pieces) 	<b>b.</b> Decorative caps (4 pieces) 	<b>c.</b> Wing nuts (2 pieces) 	<b>d.</b> Wing screws (2 pieces) 	<b>e.</b> Large screws (114 pieces) 	<b>f.</b> Small silver screws (8 pieces) 
<b>g.</b> Zinc washers (32 pieces) 	<b>h.</b> Zinc lock nuts (8 pieces) 	<b>i.</b> Zinc bolts (24 pieces) 	<b>j.</b> Black washers (8 pieces) 	<b>k.</b> Small black screws (8 pieces) 	<b>l.</b> Small black screws (28 pieces) 
<b>m.</b> Rubber bumpers (2 pieces) 					

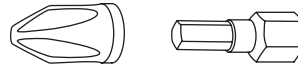
# ASSEMBLY INSTRUCTIONS

Find a large, clean area to assemble your appliance.

Remove all packing material before assembling. (You may have additional or spare hardware after assembly.)

**CAUTION**

Sharp edges. Wear gloves while assembling.

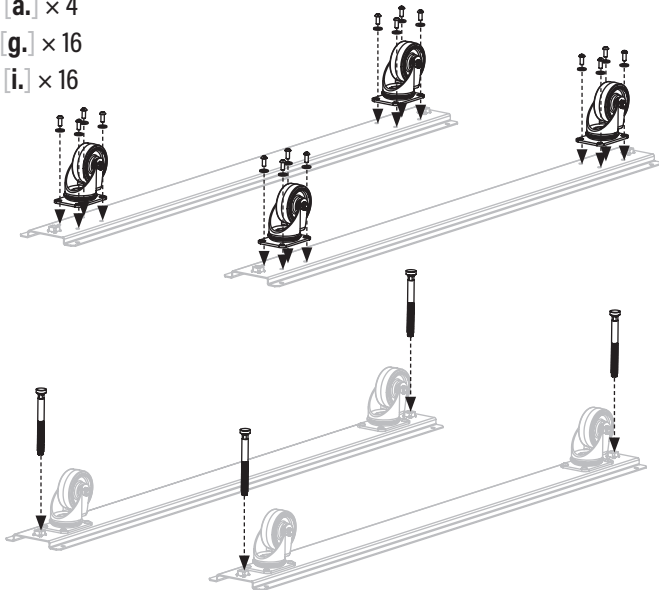


**TOOLS NEEDED:**

Phillips driver, H4 Hex driver & Impact driver

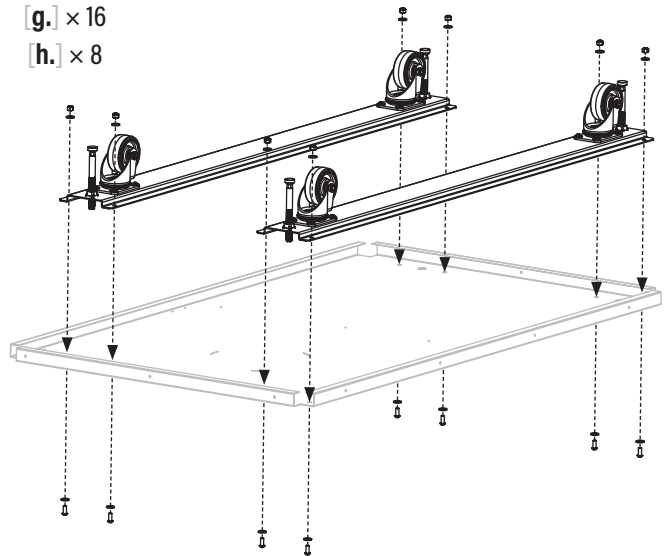
**STEP 01** Use sixteen (16) zinc bolts [i.] and sixteen (16) zinc washers [g.] to attach four (4) caster wheels [6] to two (2) caster plates [7]. Screw four (4) leveling feet [a.] into the caster plates so that they extend above the wheels.

- [a.] × 4
- [g.] × 16
- [i.] × 16



**STEP 02** Use eight (8) zinc bolts [i.], sixteen (16) zinc washers [g.], and eight (8) zinc lock nuts [h.] to attach the caster plates to the underside of the cart base [4].

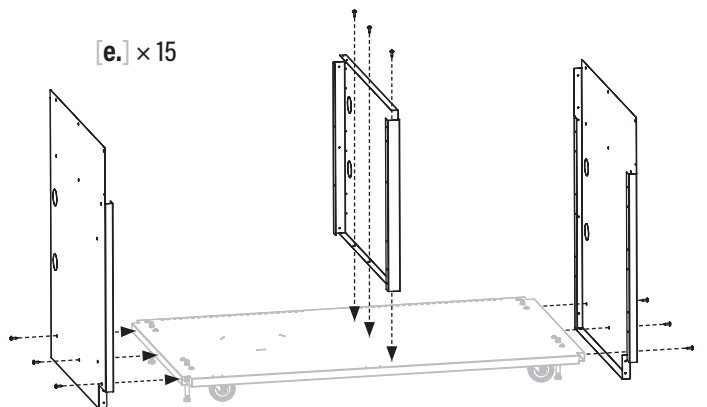
- [i.] × 8
- [g.] × 16
- [h.] × 8



**STEP 03** Use three (3) large screws [e.] to attach the center cabinet panel [8] to the cart base.

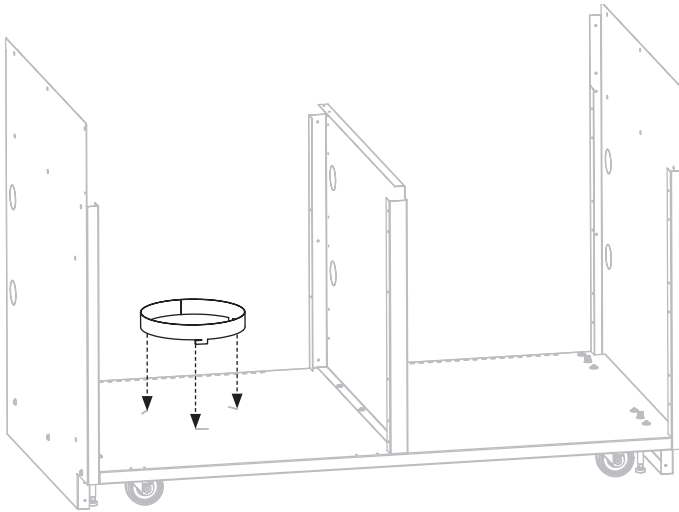
Use six (6) large screws [e.] to attach the left [1] and right [2] cabinet panels to the cart base.

- [e.] × 15

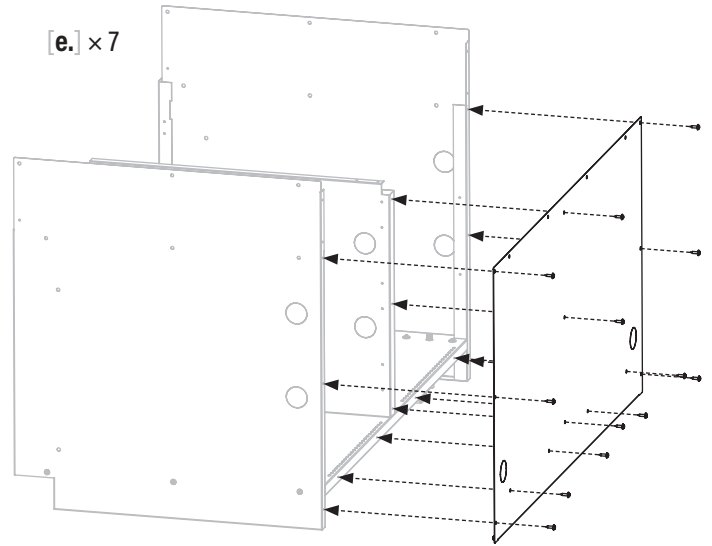




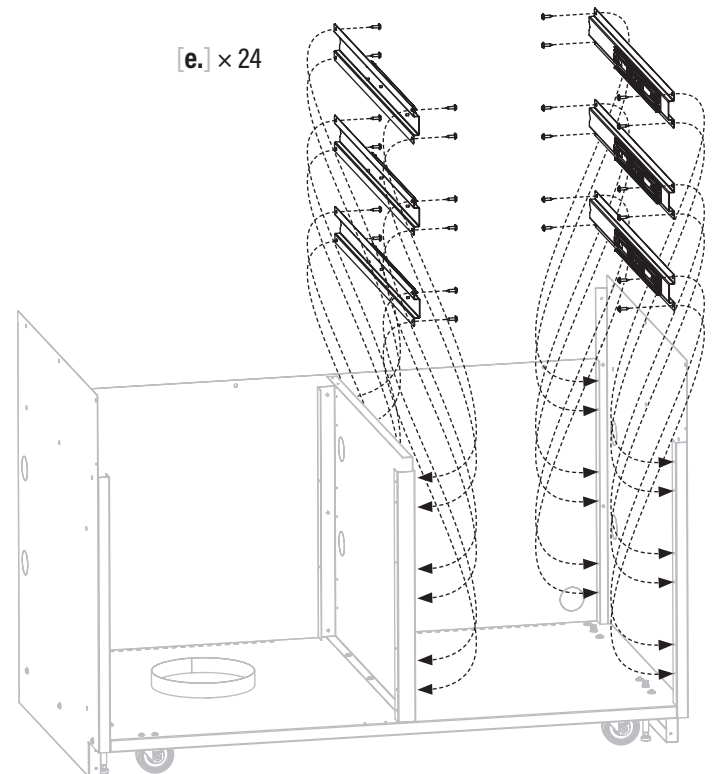
**STEP 04** Insert the LPG cradle **20** into the cart base. Turn to secure.



**STEP 05** Use three (3) large screws **[e.]** to attach the rear cabinet panel **3** to the center cabinet panel. Use four (4) large screws **[e.]** to attach the rear cabinet panel to the cart base.



**STEP 06** Use twelve (12) large screws **[e.]** to attach three (3) slide mounts **11** to the center cabinet panel. Use twelve (12) large screws **[e.]** to attach three (3) slide mounts **11** to the right cabinet panel.

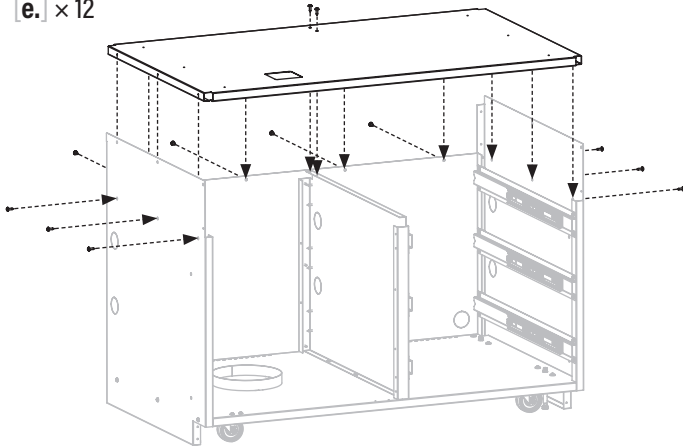


**STEP 07** Use six (6) large screws [e.] to attach the cabinet top 19 to the left and right cabinet panels.

Use four (4) large screws [e.] to attach the cabinet top to the rear cabinet panel.

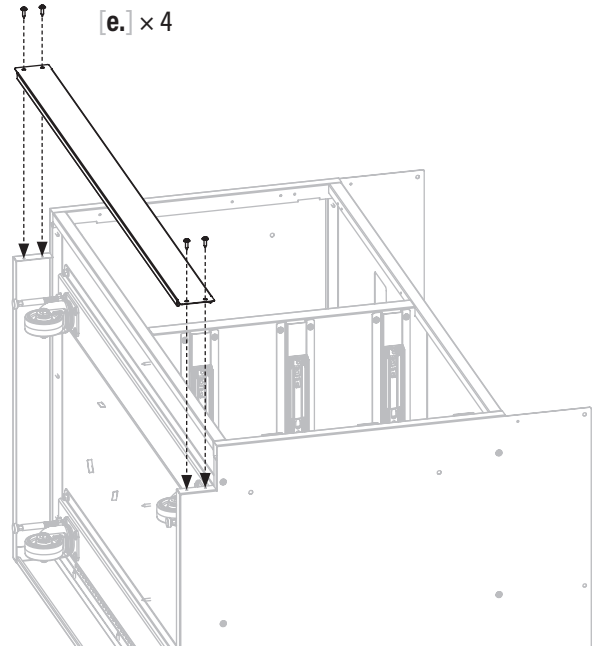
Use two (2) large screws [e.] to attach the cabinet top to the center cabinet panel.

[e.] × 12



**STEP 08** Use four (4) large screws [e.] to attach the toe kick 5 to the left and right cabinet panels.

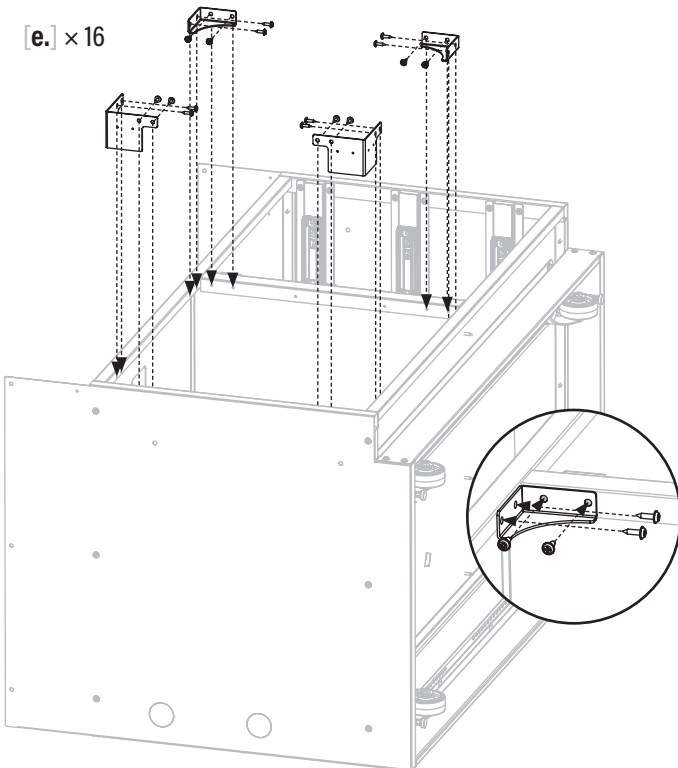
[e.] × 4



**STEP 09** Use eight (8) large screws [e.] to attach the two (2) left corner braces 14 to the cabinet panels.

Use eight (8) large screws [e.] to attach the two (2) right corner braces 15 to the cabinet panels.

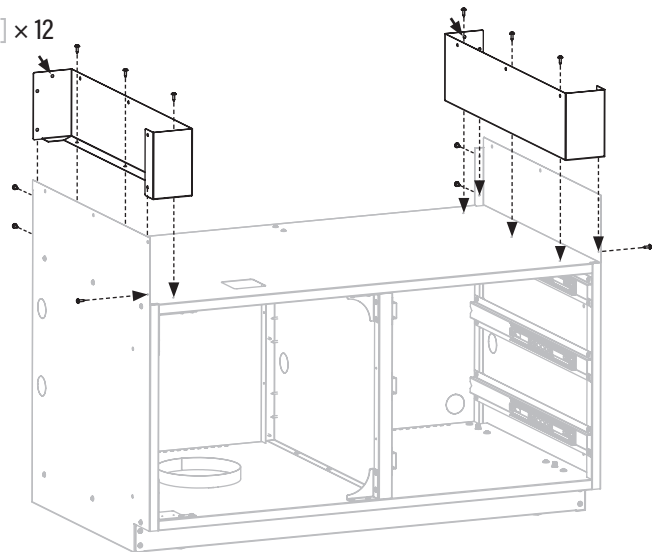
[e.] × 16



**STEP 10** Use three (3) large screws [e.] to attach the left countertop panel 21 to the cabinet top. Use three (3) large screws [e.] to attach the panel to the left cabinet panel. (Note: Be sure to install with the hole in the back)

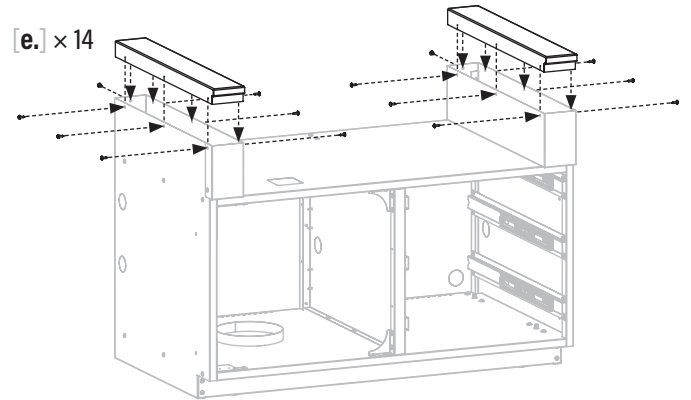
Repeat with the right countertop panel 22.

[e.] × 12



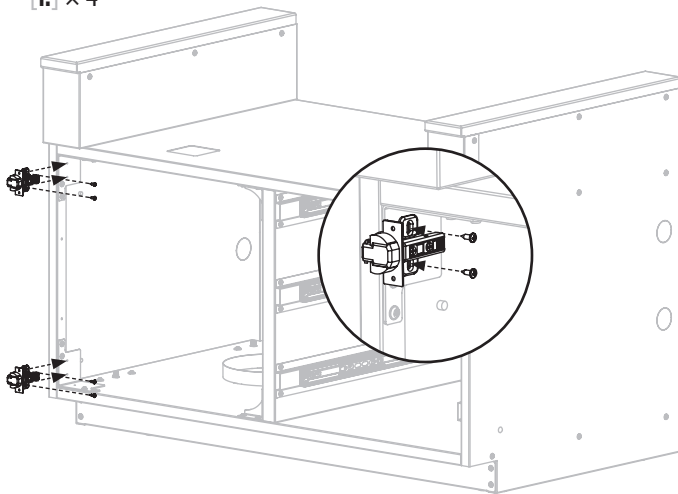


**STEP 11** Use seven (7) large screws [e.] to attach one (1) countertop slab 23 to one (1) countertop panel.  
Repeat with the other countertop slab 23.



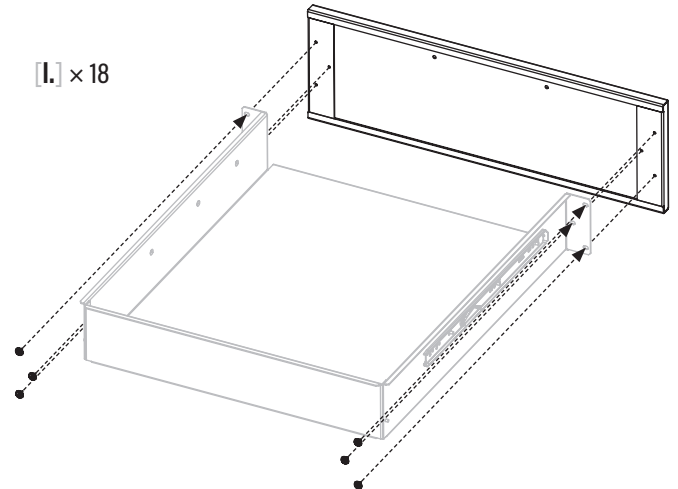
**STEP 12** Use four (4) small screws [f.] to attach the two (2) door hinges 13 to the left corner brackets.

[f.] × 4



**STEP 13** Use six (6) large black screws [l.] to attach one (1) front drawer panel 10 to one (1) drawer body 9.  
Repeat with the other two drawers.

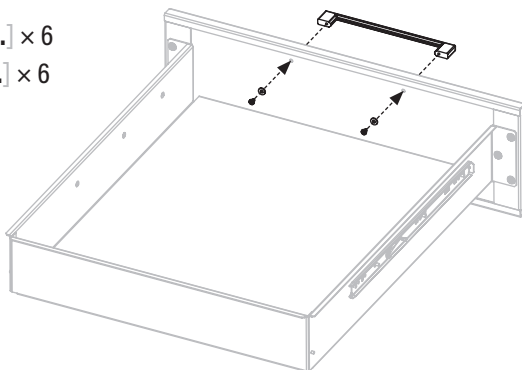
[l.] × 18



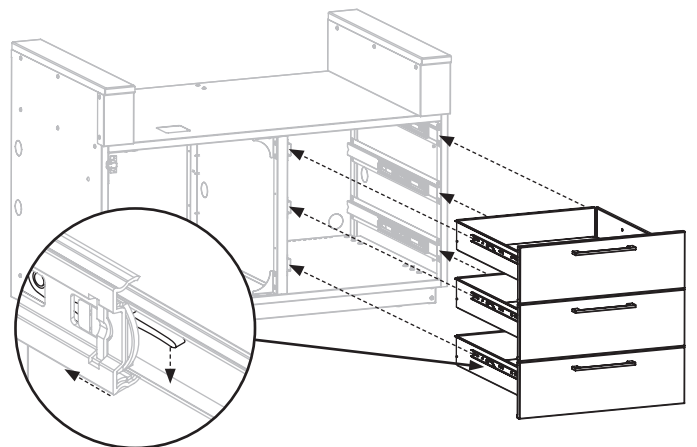
**STEP 14** Use two (2) small black screws [k.] and two (2) black washers [j.] to attach one (1) drawer handle 12 to one (1) drawer assembly.  
Repeat with the other two drawers.

[k.] × 6

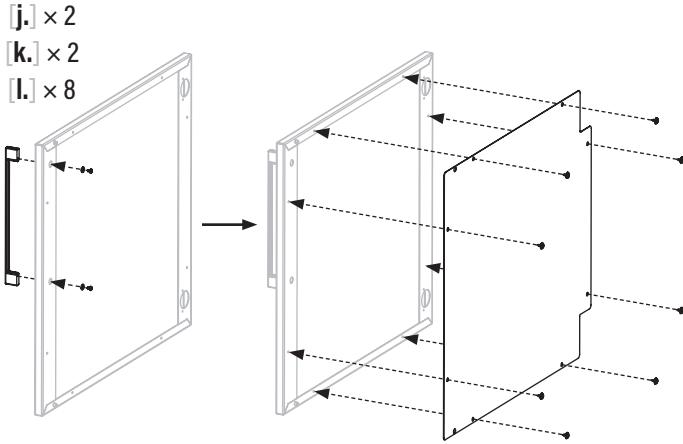
[j.] × 6



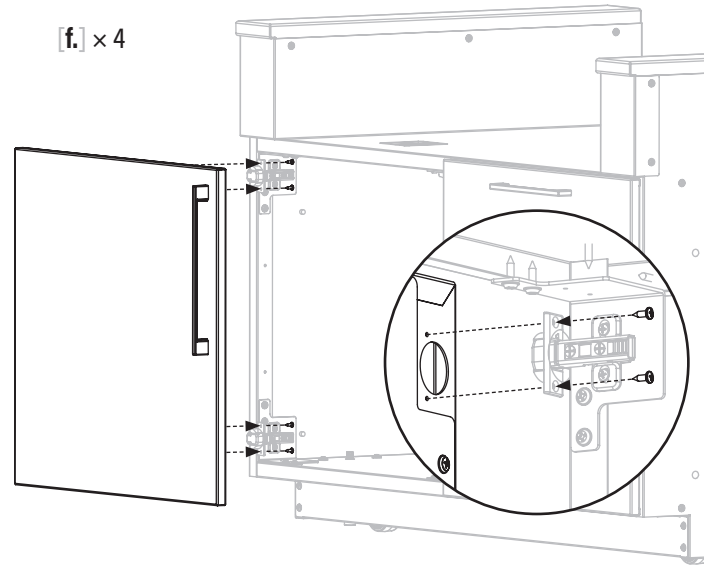
**STEP 15** Pull out the two (2) drawer sliding tracks from the glide housing. Insert the drawer slides into the cart tracks.  
(Note: to remove the drawer, depress the levers on the drawer rails.)



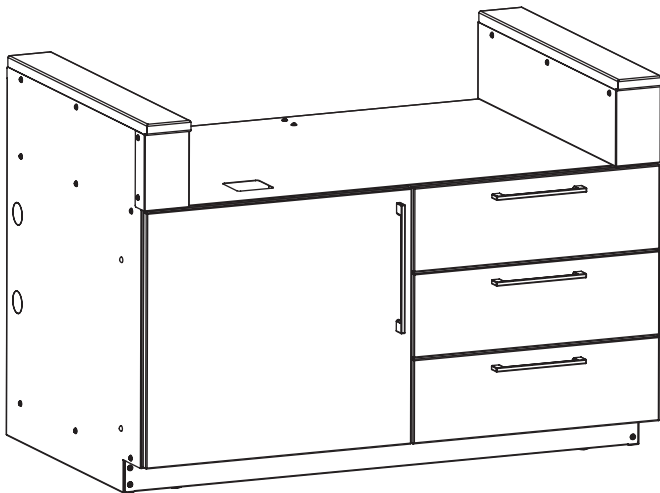
**STEP 16** Use two (2) small black screws [j.] and two (2) black washers [k.] to attach the door handle 18 to the door front panel 17. Use eight (8) large black screws [l.] to attach the door inner panel 16 to the door front panel.



**STEP 17** Use four (4) small screws [f.] to attach the door to the door hinges.



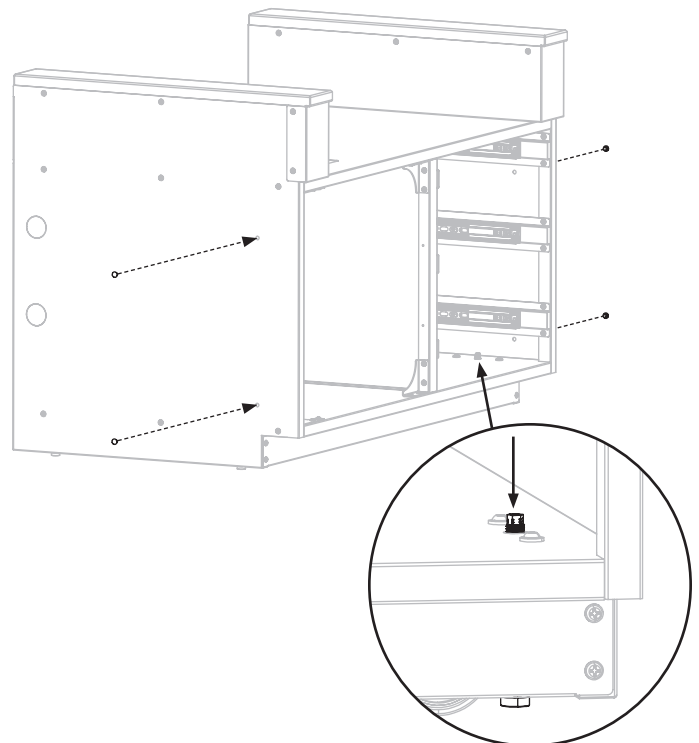
**STEP 18** Enjoy using your Blackstone Outdoor Kitchen.



**INSTALLING YOUR KITCHEN**

Use the wing screws and wing nuts to connect the modules (Press four (4) decorative caps [b.] into the side panels, or remove the decorative caps as needed).

Pull out the drawer, and use the H4 hex driver to adjust the leveling feet.





## ACTIVATE YOUR WARRANTY

Blackstone Products warrants this Griddle Cabinet against defects in materials and workmanship for a period of one (1) year from the original date of purchase under normal use. To the extent any such defects occur, Blackstone Products, in its discretion, will provide the appropriate replacement part(s) at no charge.

In no event shall Blackstone Products, LLC be liable for consequential, indirect or incidental damages resulting from the installation, use or failure of the product.

This warranty does not cover:

- Inspection costs or labor for replacement of any defective part(s);
- Cosmetic defects which DO NOT affect product performance or integrity;
- Normal wear and tear;
- Damage due to vandalism; acts of nature, including but not limited to wind, storms, hail, floods;
- Improper assembly, installation, or use;
- Discoloration or fading of the finish as a result of exposure to chemicals, spills, pool or salt water
- Corrosion / rust.

Your Griddle Cabinet has been designed for safety and quality. Any modifications made to the original product could compromise its structural integrity or function and could lead to product failure or personal injury. As such, modifying this product voids all warranties.

This product is warranted for RESIDENTIAL USE ONLY, and is not for commercial, contract or other non-residential purposes. Blackstone Products disclaims all other representations and warranties of any kind, express or implied.

The warranty applies to the original purchaser and is non-transferable. It does not apply to purchases of display models, or when the product is sold on clearance or "as is". To activate your warranty, register your product at [www.BlackstoneProducts.com/register](http://www.BlackstoneProducts.com/register).

Blackstone Products, LLC makes no warranty whatsoever in respect to accessories or parts not supplied with it. This warranty shall apply only within the boundaries of the United States of America and Canada. This warranty gives the original purchaser specific rights, and the original purchaser may also have other rights, which vary from state to state.

This warranty is the exclusive warranty of Blackstone Products, LLC and is in lieu of all other warranties expressed or implied. Blackstone Products, LLC reserves the right to change or modify this warranty at any time.



Register your product at  
[BlackstoneProducts.com/register](http://BlackstoneProducts.com/register)

This page intentionally left blank



This page intentionally left blank

