
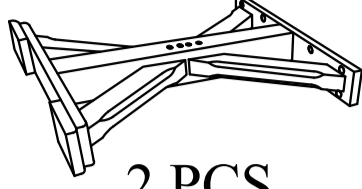

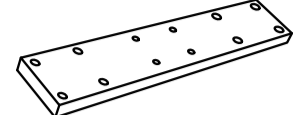
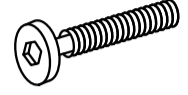
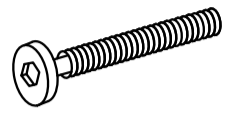


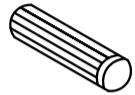
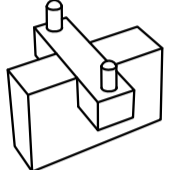
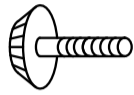

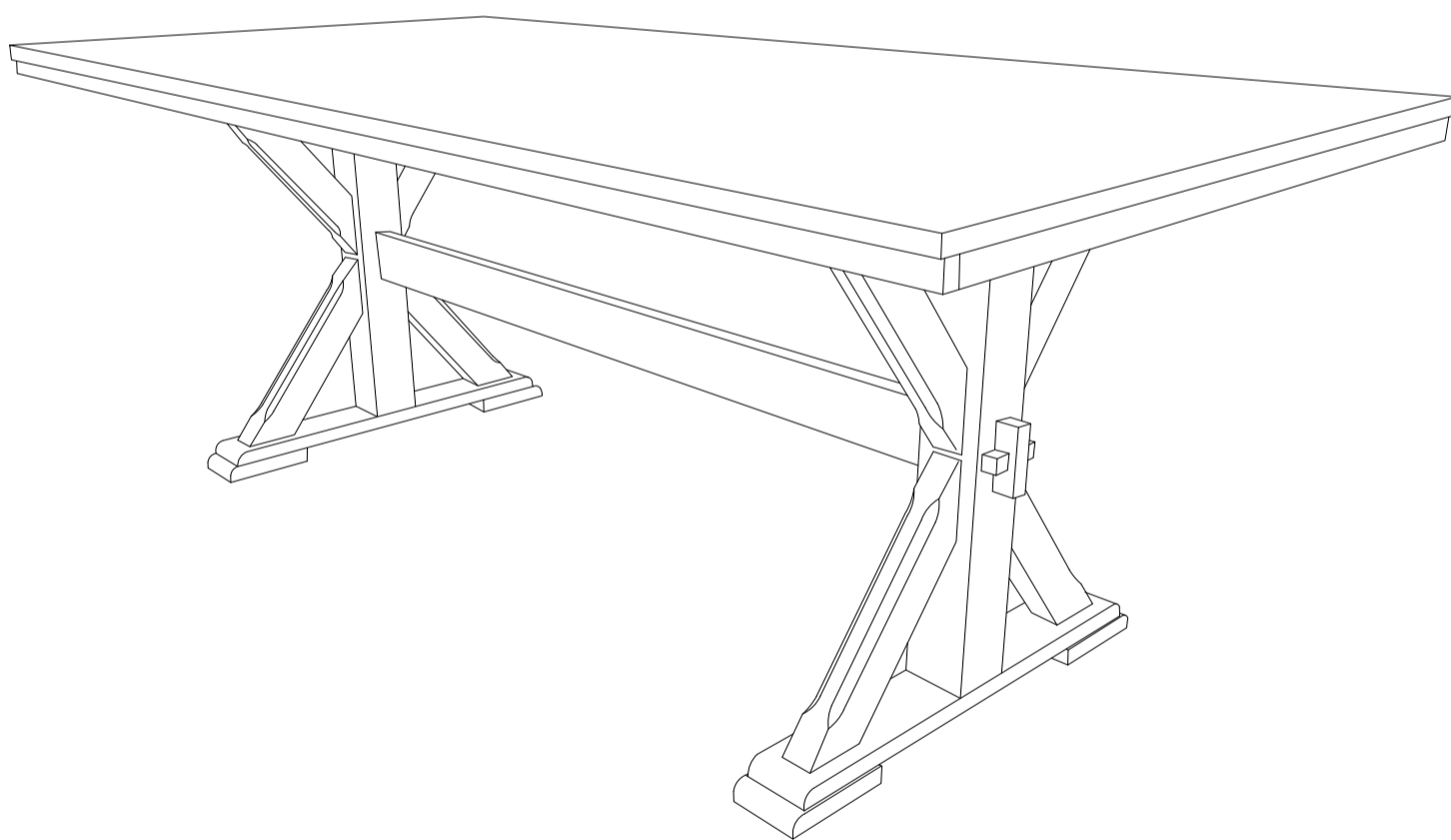


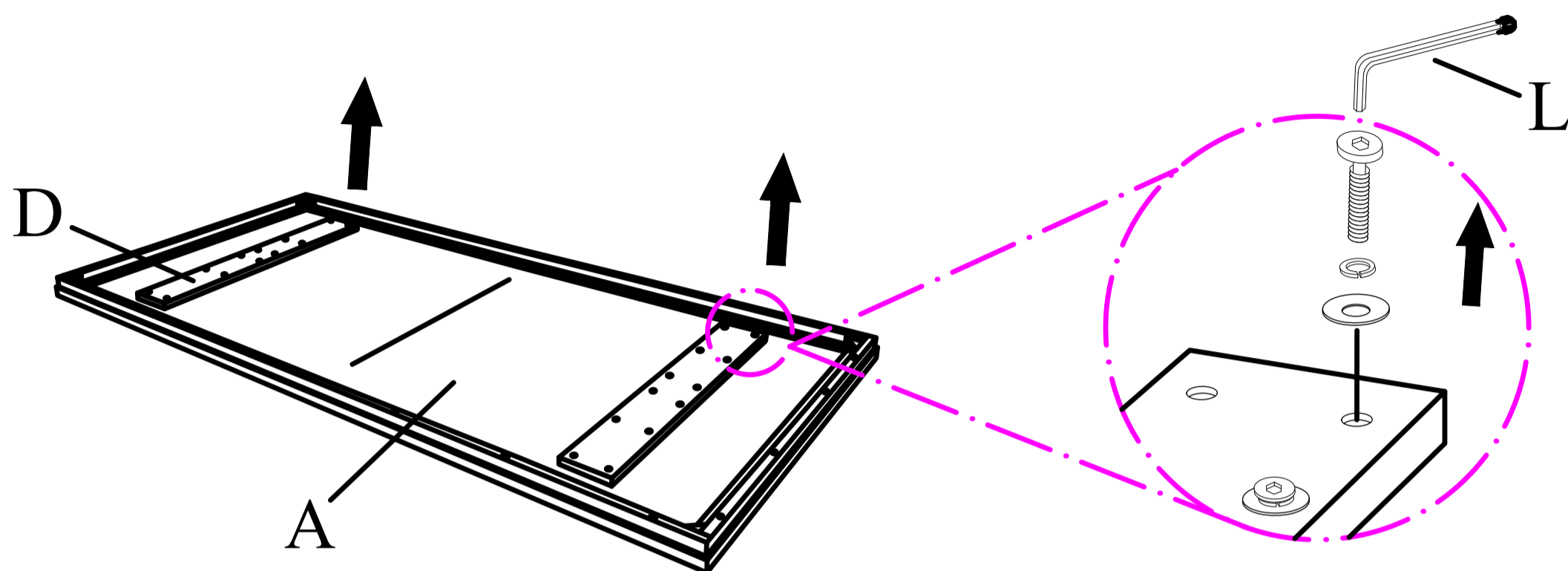
ASSEMBLY INSTRUCTION

A TABLE TOP  1 PC	B TRESTLE LEG  2 PCS	C TRESTLE BAR  1 PC	D SUPPORT BAR (Unloose from step 1)  2 PCS
E JCBC M6 x 65MM (Included 8 pcs from step 1)  16 PCS	F JCBC M6 x 90MM  4 PCS	G SPRING WASHER M6 (Included 8 pcs from step 1)  20 PCS	H FLAT WASHER M6 (Included 8 pcs from step 1)  16 PCS
I PVC DOWEL M8 x 30MM  6 PCS	J SIDE DECORATION  2 PCS	K LEVELER  4 PCS	L ALLEN WRENCH  1 PC

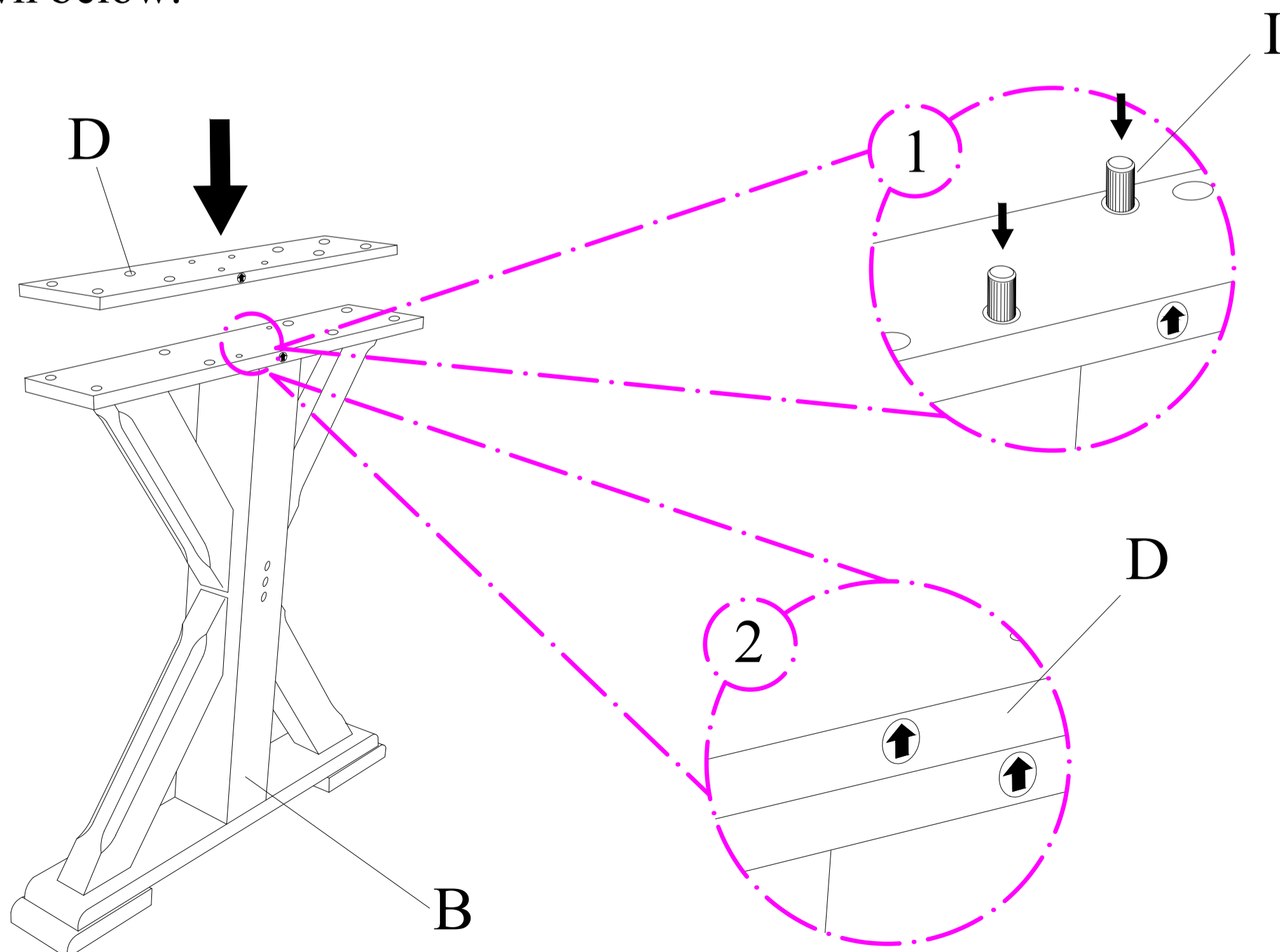


This Page lists all the contents included in the box . Please take the time to identify the hardware as well as the individual components to this product. As you unpack and prepare for assembly , place the contents on a carpeted or padded area to protect them from damage .

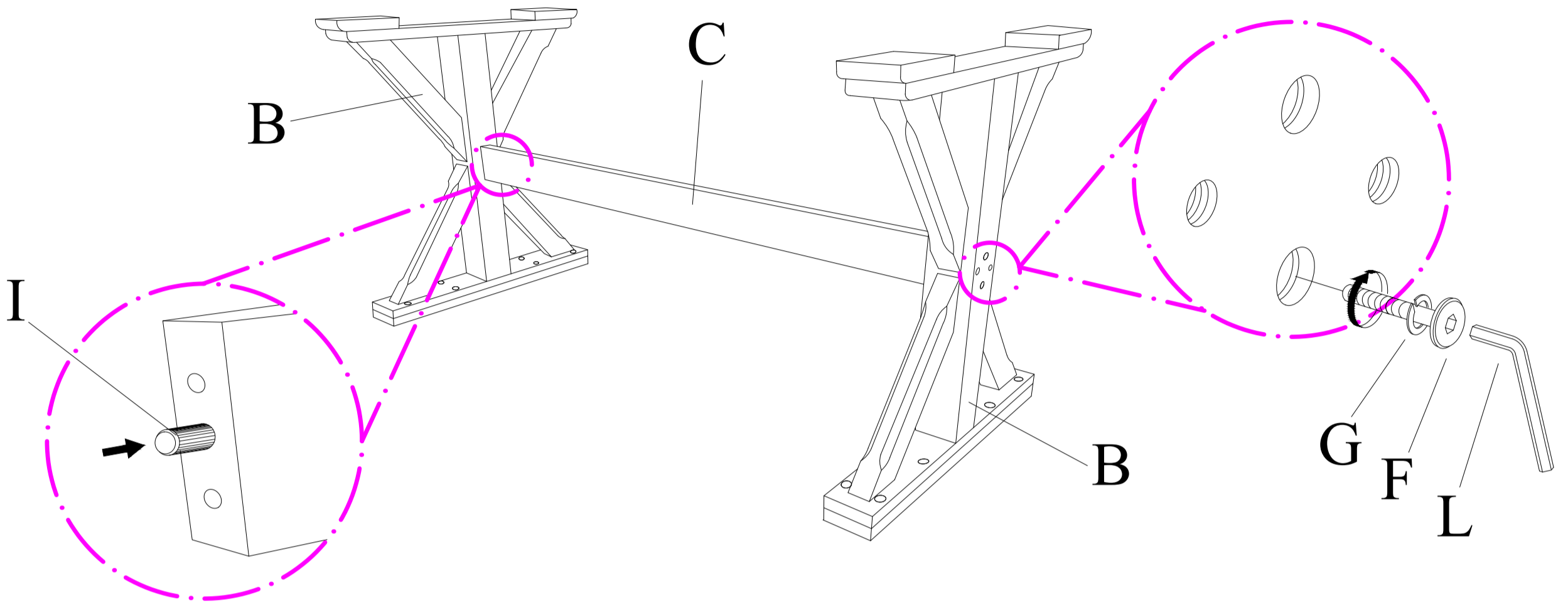
1 Please unloose 8 pcs bolt and spring washer and flat washer from the Support Bar(D) with Allen Wrench(L). Discard the bolt, keep spring washer and flat washer for step 5 use and keep Support Bar(D) for step 2.



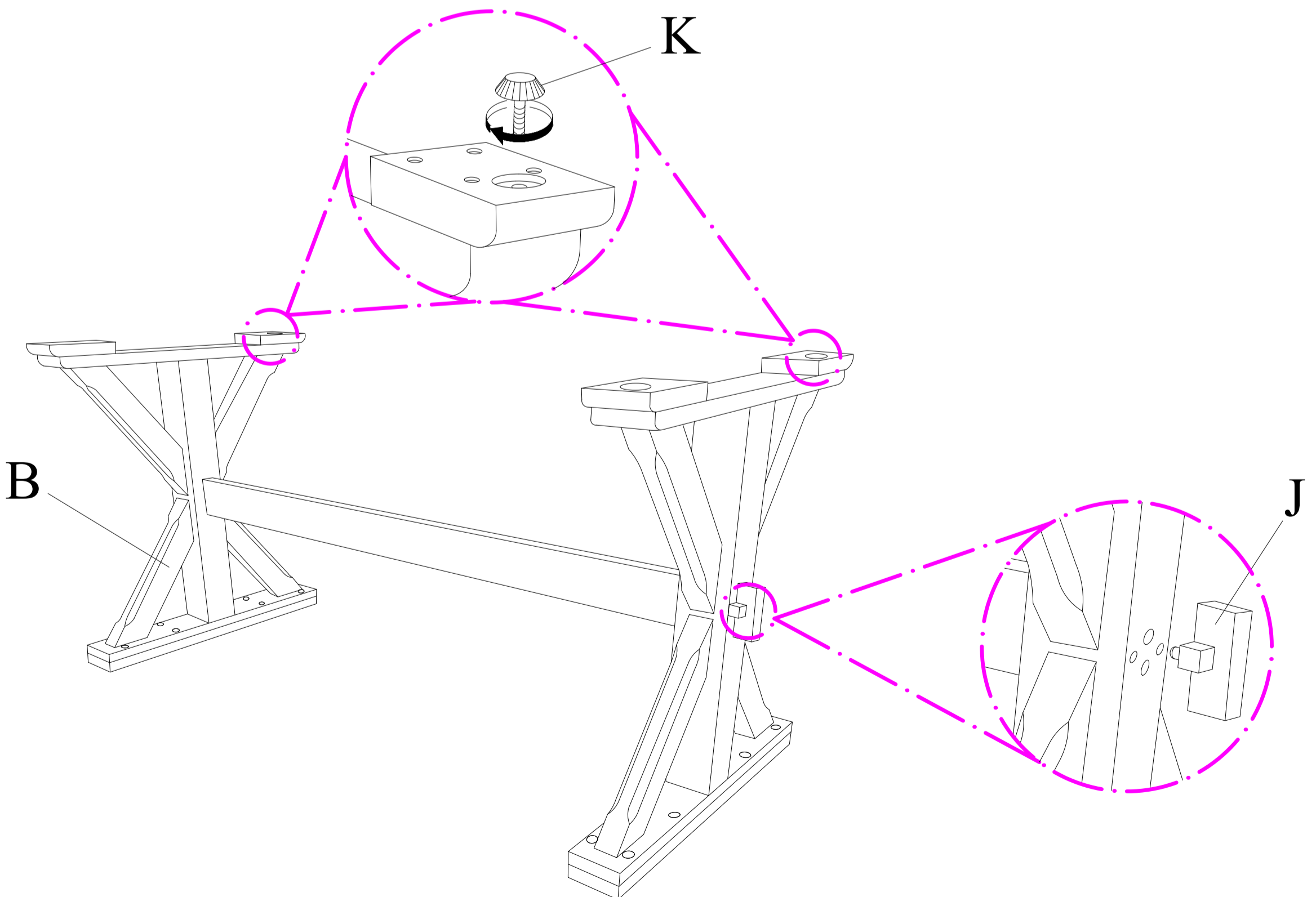
2 i) Insert PVC Dowel(I) to center hole at top of Trestle Leg(B) with ARROW sticker as shown below.
ii) Attached and align Support Bar(D) (which unloose from step 1) to Trestle Leg(B). Please follow the ARROW sticker direction as shown below.



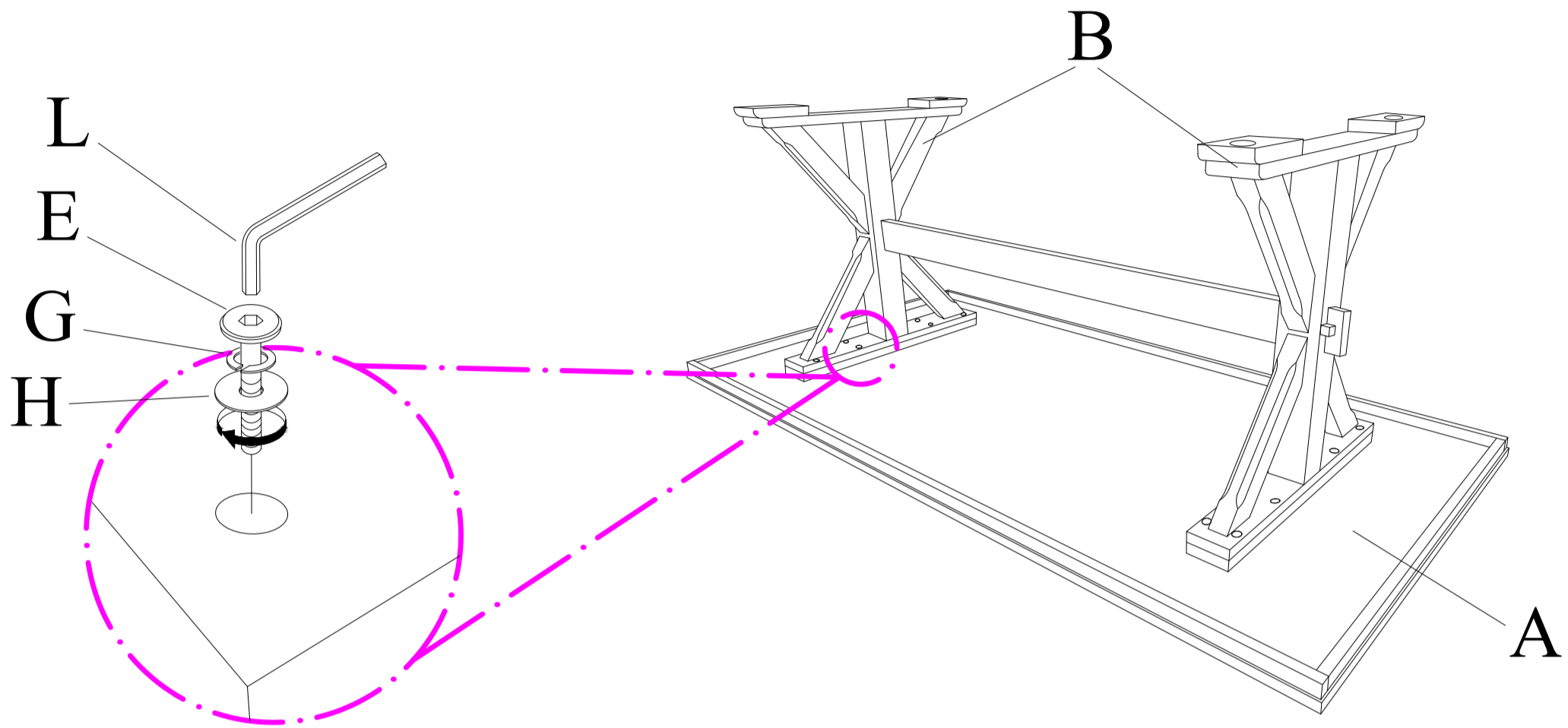
- 3** i) Insert PVC Dowel(I) to both end of Trestle Bar(C).
ii) Flip table leg over, align and fasten Trestle Bar (C) to Trestle Leg(B) using long bolt(F) and Spring Washer(G) and tighten with Allen Wrench(L).



- 4** Screw in the Leveler(K) to bottom Leg. Insert Side Decoration(J) to cover open hole.



5 Place table top upside down on soft surface. Align and fasten Trestle Leg(B) to Table Top(A) using Short Bolt(E), Spring Washer(G) and Flat Washer(H) and fully tighten with Allen Wrench(L).



6 Stand table up on an even surface and check that it is balanced. If there is a slight wobble, please adjust the leveler.



Cleaning & Care

Treat Surface with care. Surface is resistant to scratches but is not scratch resistant. Clean surface with a dry or damp soft cloth. Do not use abrasive cleaners. Hardware may loosen over time. Periodically check that all connections are tight.