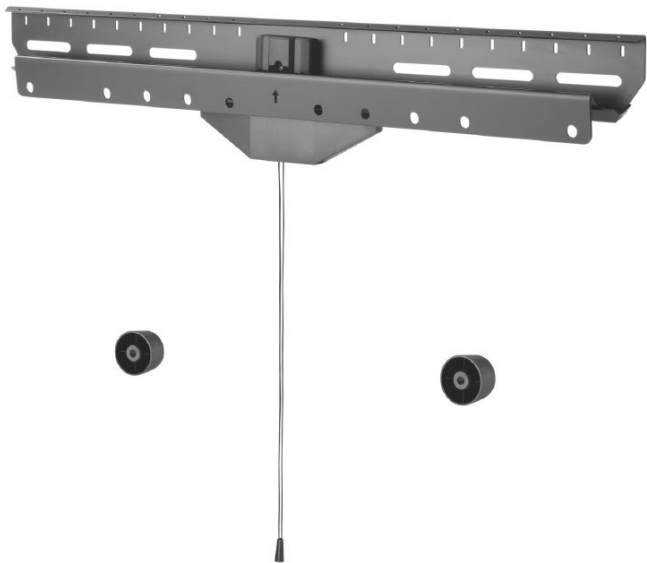


Display Mount for Stud-less Walls



Actual product may vary from photos

User Manual

SKU#: FPWHANGER

Compliance Statements

Use of Trademarks, Registered Trademarks, and other Protected Names and Symbols

This manual may make reference to trademarks, registered trademarks, and other protected names and/or symbols of third-party companies not related in any way to StarTech.com. Where they occur these references are for illustrative purposes only and do not represent an endorsement of a product or service by StarTech.com, or an endorsement of the product(s) to which this manual applies by the third-party company in question. Regardless of any direct acknowledgement elsewhere in the body of this document, StarTech.com hereby acknowledges that all trademarks, registered trademarks, service marks, and other protected names and/or symbols contained in this manual and related documents are the property of their respective holders.

PHILLIPS® is a registered trademark of Phillips Screw Company in the United States or other countries.

Safety Statements

Safety Measures

- Product installation and/or mounting should be completed by a certified professional as per the local safety and building code guidelines.

Mesures de sécurité

- L'installation et/ou le montage du produit doit être réalisé par un professionnel certifié et dans le respect des normes locales et du code de construction local.

安全対策

- 製品の設置やマウントは、使用地域の安全ガイドラインおよび建築基準に従い、有資格の専門業者が行うようにしてください。

Misure di sicurezza

- L'installazione e/o il montaggio dei prodotti devono essere eseguiti da un tecnico professionale certificato che conosca le linee guida locali sulle norme edilizie e sulla sicurezza.

Säkerhetsåtgärder

- Installation och/eller montering får endast göras av behöriga yrkespersoner och enligt gällande lokala förordningar för säkerhet och byggnormer.

Warning Statements

- Make sure to assemble this product according to the instructions. Failure to do so might result in personal injury or property damage.
- Never use this product if parts are missing or damaged.
- The wall structure should be capable of supporting at least four times the weight of the mounted equipment.
- The mounting hardware included with this product may not be adequate for installation on certain wall structures. Failure to comply with these warnings may result in personal injury or damage to the equipment.
- If you lack the necessary expertise to attach this product to the wall structure that you're using, contact a construction professional to install the wall mount or to provide specific mounting instructions for your wall structure.
- Make sure that the weight of the TV doesn't exceed the weight capacity of this product. If you exceed the weight capacity, you might experience personal injury or damage to the equipment. This product can support the following weight: Up to 110 lb. (50 kg).

Mensagens de Aviso

- Certifique-se de que monta este produto de acordo com as instruções. O incumprimento pode resultar em ferimentos pessoais ou danos de propriedade.
- Nunca opere este produto se faltarem peças ou estas estiverem danificadas.
- As estruturas de parede variam e é importante certificar-se de que o tipo de estrutura de parede e hardware de montagem que está a usar irá suportar devidamente o equipamento montado. O incumprimento pode resultar em ferimentos pessoais e/ou danos no equipamento. A estrutura de parede deve ser capaz de suportar pelo menos quatro vezes o peso do equipamento montado.
- O hardware de montagem incluído com este produto pode não ser adequado para algumas estruturas de parede. Se não tiver o conhecimento necessário para fixar este produto à estrutura de parede que está a usar, contacte um profissional de construção para fazer a instalação em parede ou para fornecer instruções de montagem específicas para a sua estrutura de parede.
- Certifique-se de que o peso do monitor não excede a capacidade de peso deste produto. Se exceder a capacidade de peso, pode sofrer ferimentos pessoais ou danos no equipamento. Este produto pode suportar o seguinte peso: 50 kg.

Varningsmeddelanden

- Se till att du monterar produkten i enlighet med instruktionerna. Om du inte gör det kan skada på person eller egendom uppstå.
- Använd aldrig produkten om delar saknas eller är skadade.
- Eftersom väggstrukturer varierar är det viktigt att kontrollera att väggstrukturen och monteringsutrustningen som du använder klarar av den monterade utrustningen. Om du inte gör det kan skada på person och/eller utrustning uppstå. Väggstrukturen ska kunna klara av minst fyra gånger vikten av den monterade utrustningen.
- Monteringsutrustningen som medföljer produkten kanske inte är lämplig för vissa väggstrukturer. Om du saknar nödvändiga kunskaper för att fästa denna produkt på väggstrukturen som du använder, kontakta en professionell konstruktör för att installera väggmonteringen eller för att ge specifika monteringsinstruktioner för din väggstruktur.
- Se till att skärmens vikt inte överstiger produktens viktkapacitet. Om viktkapaciteten överstigs kan skada på person eller utrustning uppstå. Denna produkt har stöd för följande vikter: 50 kg.

Advertencias de Uso

- Asegúrese de ensamblar este producto según las instrucciones. De lo contrario, pueden producirse lesiones personales o daños en la propiedad.
- Nunca opere o ponga en funcionamiento este producto si faltan piezas o hay daños en las mismas.
- Las estructuras de las paredes pueden variar y, por tanto, es importante determinar con certeza que el tipo de estructura de la pared y el hardware de montaje que se va a utilizar puedan soportar debidamente el equipo. De lo contrario, se pueden producir lesiones personales o daños en el mismo. La estructura de la pared debe ser capaz de soportar al menos cuatro veces el peso del componente instalado.
- El hardware de montaje incluido con este producto puede no ser adecuado para algunas estructuras de pared. Si no tiene la experiencia suficiente para fijar este producto a la estructura de la pared correspondiente, póngase en contacto con un profesional de la construcción para instalar el soporte de pared o para que le proporcione las instrucciones específicas de montaje para su estructura de pared.
- Asegúrese de que el peso del monitor no exceda la capacidad de carga de este producto. Si se excede dicha capacidad se podrían producirse lesiones personales o daños al equipo. Este producto tiene la siguiente capacidad de carga: 50 kilogramos.

Avertissements

- Assemblez ce produit conformément aux instructions. Si vous ne respectez pas ces instructions, vous risquez de vous blesser ou d'endommager l'équipement.
- N'utilisez pas ce produit si des pièces sont endommagées ou manquantes.
- Les structures des murs varient. Vous devez impérativement vérifier que le type de mur et le matériel de fixation que vous utilisez permettent de soutenir correctement l'équipement. Dans le cas contraire, vous risquez des blessures corporelles ou des dommages matériels. La structure du mur doit pouvoir supporter au moins quatre fois le poids de l'équipement monté.
- Le matériel de fixation inclus avec ce produit n'est pas forcément approprié pour toutes les structures de murs. Si vous ne disposez pas des compétences nécessaires pour installer ce produit au mur, contactez un professionnel afin qu'il installe le support mural ou qu'il vous fournisse les instructions de montage spécifiques à votre structure de mur.
- Vérifiez que le poids du moniteur ne dépasse pas la capacité pondérale du produit. Si vous dépassez la capacité pondérale, vous risquez des blessures corporelles ou des dommages matériels. Ce produit peut supporter de 50 kg.

Waarschuwingen

- Zorg dat dit product volgens de instructies in elkaar wordt gezet. Indien dit niet goed gebeurt kan lichamelijk letsel of materiële schade ontstaan.
- Gebruik dit product nooit als er onderdelen ontbreken of beschadigd zijn.
- Omdat wanden verschillen, is het belangrijk dat u ervoor zorgt dat het type wandstructuur en de montagemiddelen die u gebruikt de gemonteerde apparatuur goed ondersteunen. Indien u dit niet doet kan lichamelijk letsel en/of schade aan de apparatuur ontstaan. De wandstructuur moet voldoende zijn om ten minste vier keer het gewicht van de gemonteerde apparatuur te ondersteunen.
- De bij dit product geleverde montagemiddelen kunnen niet geschikt zijn voor sommige wandstructuren. Als u onvoldoende kennis hebt om dit product aan de door u gebruikte wandstructuur te bevestigen, neem dan contact op met een bouwkundige om de steun aan de muur te installeren of specifieke montage-instructies voor uw wandstructuur te geven.
- niet overschrijdt. Als u de gewichtscapaciteit overschrijdt, kan persoonlijk letsel of schade aan de apparatuur ontstaan. Dit product ondersteunt het volgende gewicht: 50 kg.

Warnhinweise

- Montieren Sie dieses Produkt gemäß den Anweisungen. Anderenfalls kann dies zu Verletzungen von Personen oder Schäden an Eigentum führen.
- Das Produkt darf nicht bedient werden, wenn Teile fehlen oder beschädigt sind.
- Wandstrukturen unterscheiden sich, und es muss sichergestellt werden, dass die Wand und das verwendete Montagematerial das montierte Gerät halten kann. Anderenfalls kann dies zu Verletzungen von Personen und/oder Schäden an Geräten führen. Die Wand muss mindestens das Vierfache des Gewichts des montierten Geräts halten können.
- Das mitgelieferte Montagematerial ist möglicherweise nicht für jede Wand geeignet. Wenn Ihnen die nötigen Fachkenntnisse zum Anbringen dieses Produkts an einer Wand fehlen, lassen Sie einen Fachmann den Wandhalter anbringen, oder lassen Sie sich von einem Fachmann Montageanweisungen für Ihre Wand erteilen.
- Das Gewicht des TVs darf die zulässige Traglast des Produkts nicht übersteigen. Wenn die Traglast überschritten wird, kann dies zu Verletzungen von Personen oder Schäden an Geräten führen. Dieses Produkt ist für folgendes Gewicht geeignet: 50 kg.

注意

- 必ず取扱説明書に従って本製品の組み立てを行って下さい。取り扱いを誤った場合に、傷害を負う恐れや物的損害が発生する恐れがあります。
- 本製品で使用している部品の一部が紛失していたり損傷している状態で使用するの**は絶対に止めて下さい**。
- 壁の構造はお客様の環境ごとに異なります。ご使用になる壁の構造タイプと取付け金具が、取り付けモニターを確実に支持することを確認して下さい。確認を怠った場合、傷害を負う恐れや物的損害が発生する恐れがあります。壁の構造が、取り付けモニター重量の最低4倍まで支持できるだけの強度を持っていなければなりません。
- 本製品と同梱されている取付け金具は、ご使用になる壁の構造に対して十分ではない場合があります。本製品を壁面に取り付けるとき、十分な専門知識が不足していると判断された場合、専門業者に連絡を取って、本製品の取り付けを行ってもらうか、お客様の壁の構造に適した取り付け方法を教えてもらってから取り付けを行って下さい。
- 取り付けモニターの重量が、本製品で定められた最大積載重量を超えないようにして下さい。最大積載重量をオーバーした場合、傷害を負う恐れやモニターや本製品に損害が発生する恐れがあります。本製品は、最大50kgまでのモニター重量に対応しています。

Dichiarazioni di avvertenza

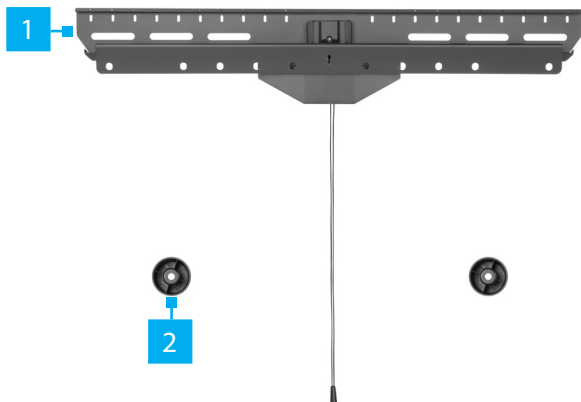
- Assemblare il prodotto rispettando le istruzioni. Il mancato rispetto delle istruzioni potrebbe causare danni a persone o proprietà.
- Non utilizzare il prodotto in presenza di parti mancanti o danneggiate.
- Le caratteristiche dei muri sono variabili ed è importante verificare che la struttura muraria e l'hardware di montaggio in uso siano in grado di supportare adeguatamente le apparecchiature montate. Il mancato rispetto delle istruzioni potrebbe causare danni a persone o proprietà. La struttura muraria deve essere in grado di supportare un peso almeno quattro volte superiore a quello dell'apparecchiatura montata.
- L'hardware di montaggio incluso con il prodotto potrebbe non essere adeguato ad alcune strutture murarie. Se l'utente non dispone delle competenze necessarie per agganciare il prodotto alla struttura muraria in uso, dovrà contattare un professionista edile per installare il supporto a parete o ottenere istruzioni di montaggio per la struttura muraria in uso.
- Verificare che il peso del monitor non superi la capacità di supporto del prodotto. In caso di superamento della capacità di supporto potrebbero verificarsi danni a persone o apparecchiature. Il prodotto è in grado di supportare i seguenti pesi: 50 kg.

Table of Contents

Compliance Statements	i
Safety Statements	ii
Warning Statements	iii
Product Diagram	1
Front View	1
Side View	2
Product Dimensions	3
Front View	3
Side View	3
Product Information	4
Package Contents	4
Requirements	6
Technical Specifications.....	7
Installation	9
Fasten the Wall Mount Assembly to a Wall	9
Display Mounting Bracket Installation	11
Tilt Spacers Installation	13
Hang the TV on the Wall Mount Assembly	14
Operation	15
Remove the TV from the Wall Mount Assembly	15
Warranty Information	17

Product Diagram

Front View



Components		Function
1	Wall Mount Assembly	<ul style="list-style-type: none"> Mount for the Display Mounting Bracket Evenly distributes the weight of the TV across the Mounting Surface
2	Spacers - Large or Small	<ul style="list-style-type: none"> Use Spacers - Large for a 0° tilt Use Spacers - Small for a -5° tilt Prevents TV from coming into contact with the Mounting Surface

To view manuals, videos, drivers, downloads, technical drawings, and more visit www.startech.com/support

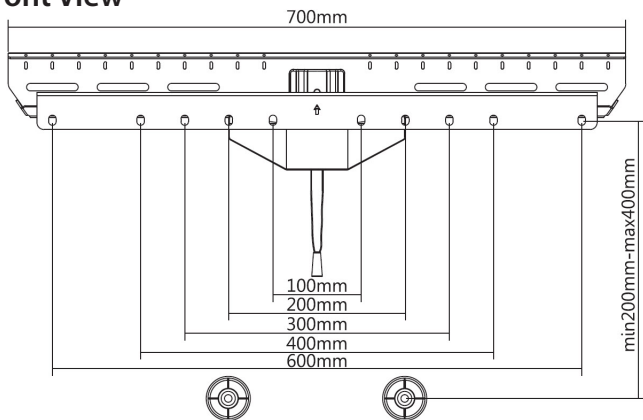
Side View



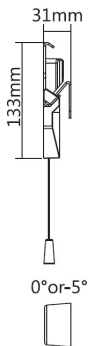
	Components	Function
1	Display Mounting Bracket	<ul style="list-style-type: none"> Attaches to the TV Hangs on the Wall Mount Assembly to mount the TV
2	Quick Release Cord	<ul style="list-style-type: none"> Pull the bottom of the Quick Release Cord to release the Spring Locks that hold the Display Mounting Bracket onto the Wall Mount Assembly Pull the bottom of the Quick Release Cord to reengage the Spring Locks Approximate length - 740 mm

Product Dimensions

Front View

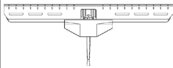



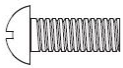
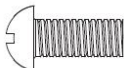
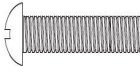







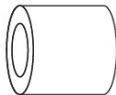
Side View



Product Information

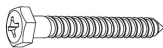
Package Contents

 <p>Wall Mount Assembly</p> <p>Qty: 1</p>	 <p>Display Mounting Bracket</p> <p>Qty: 1</p>	 <p>Tilt Spacers - Large</p> <p>Qty: 2</p>	 <p>Tilt Spacers - Small</p> <p>Qty: 2</p>
 <p>M5 x 14 mm Screws</p> <p>Qty: 4</p>	 <p>M6 x 14 mm Screws</p> <p>Qty: 4</p>	 <p>M6 x 30 mm Screws</p> <p>Qty: 4</p>	 <p>M8 x 30 mm Screws</p> <p>Qty: 4</p>
 <p>M8 x 50 mm Screws</p> <p>Qty: 4</p>	 <p>Washers - Small</p> <p>Qty: 4</p>	 <p>Washers - Medium</p> <p>Qty: 4</p>	 <p>Mounting Spacers - Short</p> <p>Qty: 8</p>



Mounting
Spacers - Long

Qty: 8



Mounting Screws

Qty: 4



Concrete
Anchors

Qty: 4



Washers - Large

Qty: 4



Nails

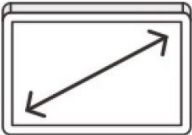

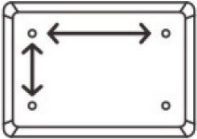
Qty: 20

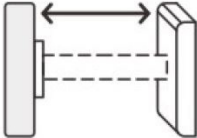

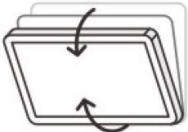
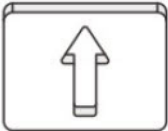
Requirements

For the latest requirements, please visit
www.startech.com/FPWHANGER

- #2 and #4 Phillips® Head Screwdrivers
- Hammer
- Spirit/Bubble Level
- Mounting Surface
- (Optional) Two People for the Installation

Technical Specifications

Type of Measurement	Measurement
<p>Screen Size</p> 	<p>37" - 80"</p>
<p>Weight Capacity</p> 	<p>Up to 110 lb. (50 kg)</p>
<p>VESA Compatible</p> 	<p>100x200, 200x200, 200x300 200x400, 300x200, 300x300 400x200, 400x300, 400x400 600x200, 600x300, 600x400</p>

<p>Minimum Profile to Wall</p> 	<p>1.2" (31 mm)</p>
<p>Curved TV</p> 	<p>Compatible</p>
<p>Tilt Range</p> 	<p>0° -5°</p>
<p>Direction Indicator</p> 	<p>Yes</p>

Installation

Fasten the Wall Mount Assembly to a Wall

Warnings! The **Display Mount for Stud-less Walls** is designed to be installed into on a drywall, wood stud, or solid concrete wall. The **Mounting Hardware (Mounting Screws and Concrete Anchors)** included with this product may not be adequate for installation on certain wall structures. Ensure the **Drywall Surface** has the structural integrity to support the weight of the Mount and TV. If you lack the necessary expertise to attach this product contact a **Construction Professional** to install the **Display Mount for Stud-less Walls**. Failure to do so may result in personal injury and/or equipment damage.

The **Display Mount for Stud-less Walls** is intended for indoor use only and should not be used outdoors.

There are three ways to configure the installation for the **Display Mount for Stud-less Walls**. See **Figure 1, 2** and **3** for more details.

Nails into Drywall

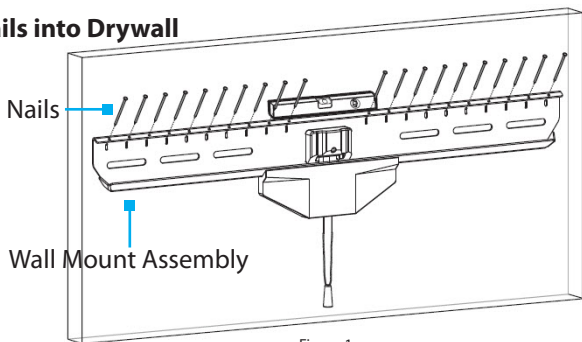


Figure 1

Mounting Screws with Concrete Anchors into Concrete Wall

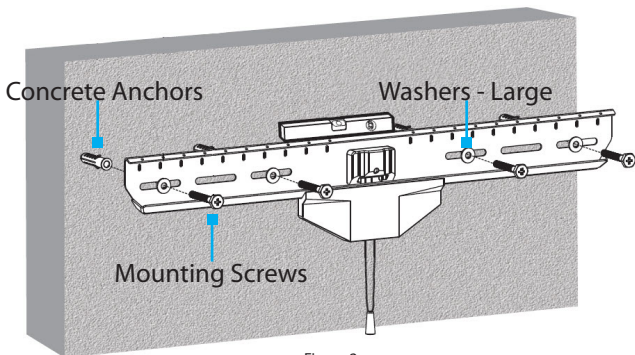


Figure 2

Mounting Screws into Wood Studs

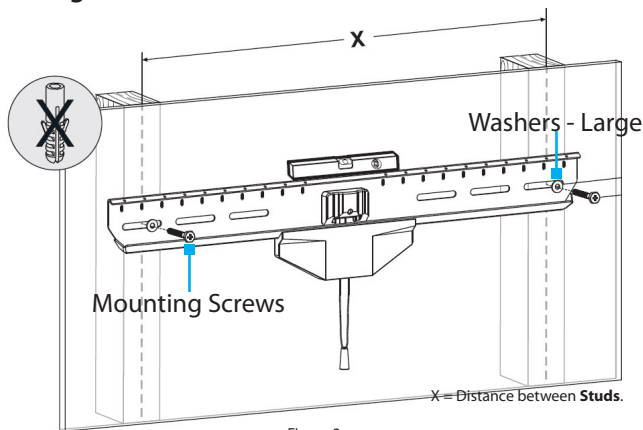

















Figure 3

Display Mounting Bracket Installation

1. Place your **TV** on a padded surface, screen side down, so that you can access the back of the **TV**.
2. (Optional) Identify and remove the pre-installed **VESA Hardware** from the back of the **TV**.

Note: Not all **TVs** will have placeholder **VESA Hardware**. Ensure you are only removing the four **Screws** for the **VESA Mount**. Do not remove any of the screws from your **TV's** structural assembly.

3. (Optional) To shorten the depth of the **VESA Mounting Holes** to ensure a correct fit for the **M-Type Screws**, place the necessary number of **Mounting Spacers - Short** and/ or **Long** over the top two **VESA Mounting Holes**. Use the **Spacer Combination Table** to determine the number of **Mounting Spacers** for the application.

Screw Type	Spacer Combination		
M6 x 30 mm			
M8 x 30 mm			
M8 x 50 mm	  	   	 

- Center the **Display Mounting Bracket** onto the back of the **TV**. Align the **Holes** in the **Display Mounting Bracket** over the top two **VESA Mounting Holes** in the back of the **TV**. The **Direction Indicator** on the **Display Mounting Bracket** should be pointing towards the top of the **TV**. (Figure 4)

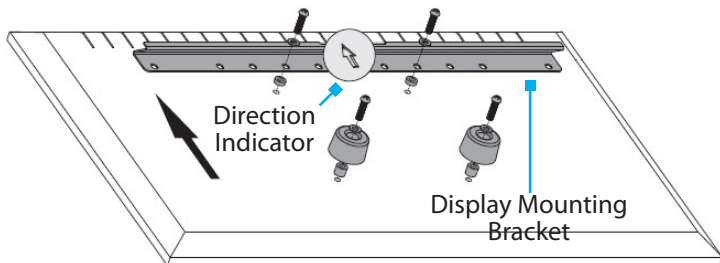


Figure 4

- Place a **Washer - Medium** onto the **Display Mounting Bracket**. Align the hole in the **Washer - Medium** with the **VESA Mounting Hole**. Repeat for the second **VESA Mounting Hole**.
- Thread the appropriately sized **M-Type Screws** (ex. **M5 x 14 mm Screws**) through the **Washers - Medium**, **Display Mounting Bracket**, (Optional) **Mounting Spacers**, and into your **TV**. (Figure 5)

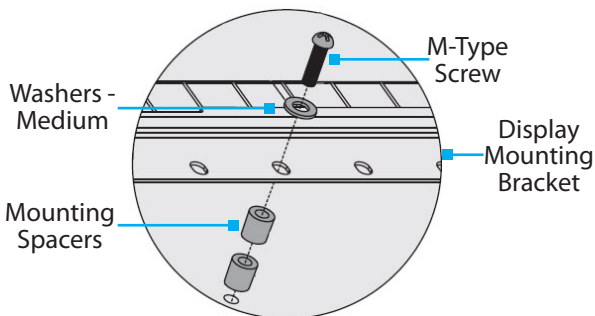


Figure 5

7. Tighten the **M-Type Screws** with the **Phillips Head Screwdriver**.

Warning! Do not over-tighten the **M-Type Screws**. If you encounter any unexpected resistance as you are fastening these **Screws**, immediately stop and attempt to use a different length of **M-Type Screw**.

Tilt Spacers Installation

1. (Optional) Place the necessary number of **Mounting Spacers - Short** and/or **Long** over the bottom two **VESA Mounting Holes** in the back of the **TV**. Use the [Spacer Combination Table](#) (Page 11) to determine the number of **Spacers** for the application.
2. Place a **Tilt Spacer (Large** for 0° of tilt and **Small** for -5° of tilt) over one of the **VESA Mounting Holes**. Align the hole in the **Tilt Spacer** with the **VESA Mounting Hole**. Repeat for the second **VESA Mounting Hole**.

3. Place a **Washer-Medium** into the hole in each of the **Tilt Spacers**.
4. Thread two appropriately sized **M-Type Screws** (ex. **M5 x 14 mm Screws**) through each of the **Washers - Medium, Tilt Spacers**, (Optional) **Mounting Spacers**, and into your **TV**. (Figure 6)

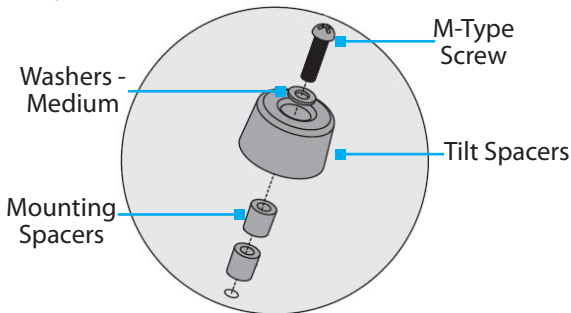


Figure 6

5. Tighten the **M-Type Screws** with the **Phillips Head Screwdriver**.

Warning! Do not over-tighten the **M-Type Screws**. If you encounter any unexpected resistance as you are fastening these **Screws**, immediately stop and attempt to use a different length of **M-Type Screw**.

Hang the TV on the Wall Mount Assembly

1. Pull the **Quick Release Cord** down to unlock the **Spring Locks** in the **Wall Mount Assembly**.
2. With two people: lift and hang the **TV** onto the **Wall Mount Assembly**. Ensure the **V-Shaped Lip** on the **Display**

Mounting Bracket fits into the **V-Shaped Groove** on the **Wall Mount Assembly**. (Figure 7)

3. Pull the **Quick Release Cord** down to lock the **Spring Locks** in the **Wall Mount Assembly**.

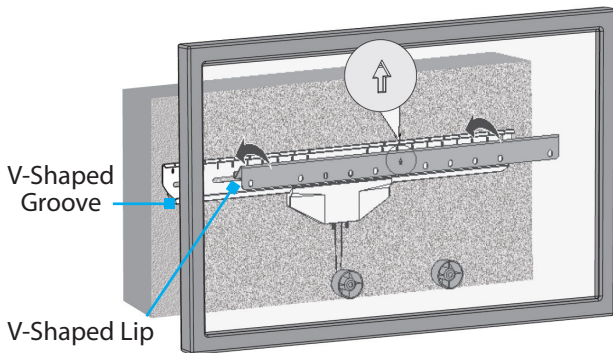


Figure 7

Operation

Remove the TV from the Wall Mount Assembly

1. Pull the **Quick Release Cord** down to unlock the **Spring Locks** in the **Wall Mount Assembly**.
2. (Optional - Two People) Lift the **TV** off of the **Wall Mount Assembly**. (Figure 8)

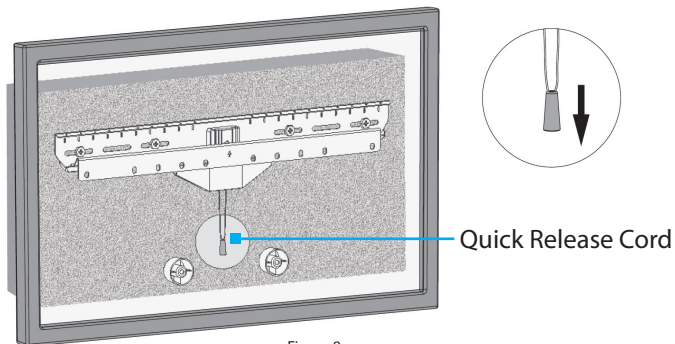


Figure 8

Warranty Information

This product is backed by a five-year warranty.

For further information on product warranty terms and conditions, please refer to www.startech.com/warranty.

Limitation of Liability

In no event shall the liability of StarTech.com Ltd. and StarTech.com USA LLP (or their officers, directors, employees or agents) for any damages (whether direct or indirect, special, punitive, incidental, consequential, or otherwise), loss of profits, loss of business, or any pecuniary loss, arising out of or related to the use of the product exceed the actual price paid for the product.

Some states do not allow the exclusion or limitation of incidental or consequential damages. If such laws apply, the limitations or exclusions contained in this statement may not apply to you.

Hard-to-find made easy. At StarTech.com, that isn't a slogan. It's a promise.

StarTech.com is your one-stop source for every connectivity part you need. From the latest technology to legacy products — and all the parts that bridge the old and new — we can help you find the parts that connect your solutions.

We make it easy to locate the parts, and we quickly deliver them wherever they need to go. Just talk to one of our tech advisors or visit our website. You'll be connected to the products you need in no time.

Visit www.startech.com for complete information on all StarTech.com products and to access exclusive resources and time-saving tools.

StarTech.com is an ISO 9001 Registered manufacturer of connectivity and technology parts. StarTech.com was founded in 1985 and has operations in the United States, Canada, the United Kingdom and Taiwan servicing a worldwide market.

Reviews

Share your experiences using StarTech.com products, including product applications and setup, what you love about the products, and areas for improvement.

StarTech.com Ltd.

45 Artisans
Crescent
London, Ontario
N5V 5E9
Canada

StarTech.com LLP

4490 South
Hamilton Road
Groveport, Ohio
43125
U.S.A.

StarTech.com Ltd.

Unit B, Pinnacle 15
Gowerton Road
Brackmills,
Northampton
NN4 7BW
United Kingdom

StarTech.com Ltd.

Siriusdreef 17-27
2132 WT
Hoofddorp
The Netherlands

FR: fr.startech.com

DE: de.startech.com

ES: es.startech.com

NL: nl.startech.com

IT: it.startech.com

JP: jp.startech.com