

KALLISTA®

Per Se® by KALLISTA Freestanding Bath Faucet, Less Handshower P24713-00

Features

- High-quality solid-brass construction for durability and reliability
- Floor-mount installation
- Required mounting block sold separately
- Required handshower sold separately
- Spout reach is 8-11/16" (221 mm)
- Includes integral valve
- Includes hardware kit and escutcheon

Required Products/Accessories

P20511-00 Multi-faucet mounting block

or

P24761-00 Handshower with Hose

Adapters, Rough-in and Extension Kits

P20511-00-NA

Range: 2-1/4" (57 mm) -
3-1/16" (78 mm)

Recommended Products/Accessories

P50061-00 Oval Freestanding Bathtub

P30801-00 4" cabinet pull

P34706-00 Hook

P24736-LV Sink Faucet, Tall Spout, Lever Handles



Codes/Standards

ASME A112.18.1/CSA B125.1






California Energy Commission (CEC)

KALLISTA® Five-Year Limited Warranty

See website for detailed warranty
information.

Available Colors/Finishes

Color tiles intended for reference only.

Color	Code	Description
	CP	Polished Chrome
	AF	French Gold
	BAF	Brushed French Gold
	BN	Brushed Nickel
	SN	Polished Nickel

1-888-4-KALLISTA (1-888-452-5547)

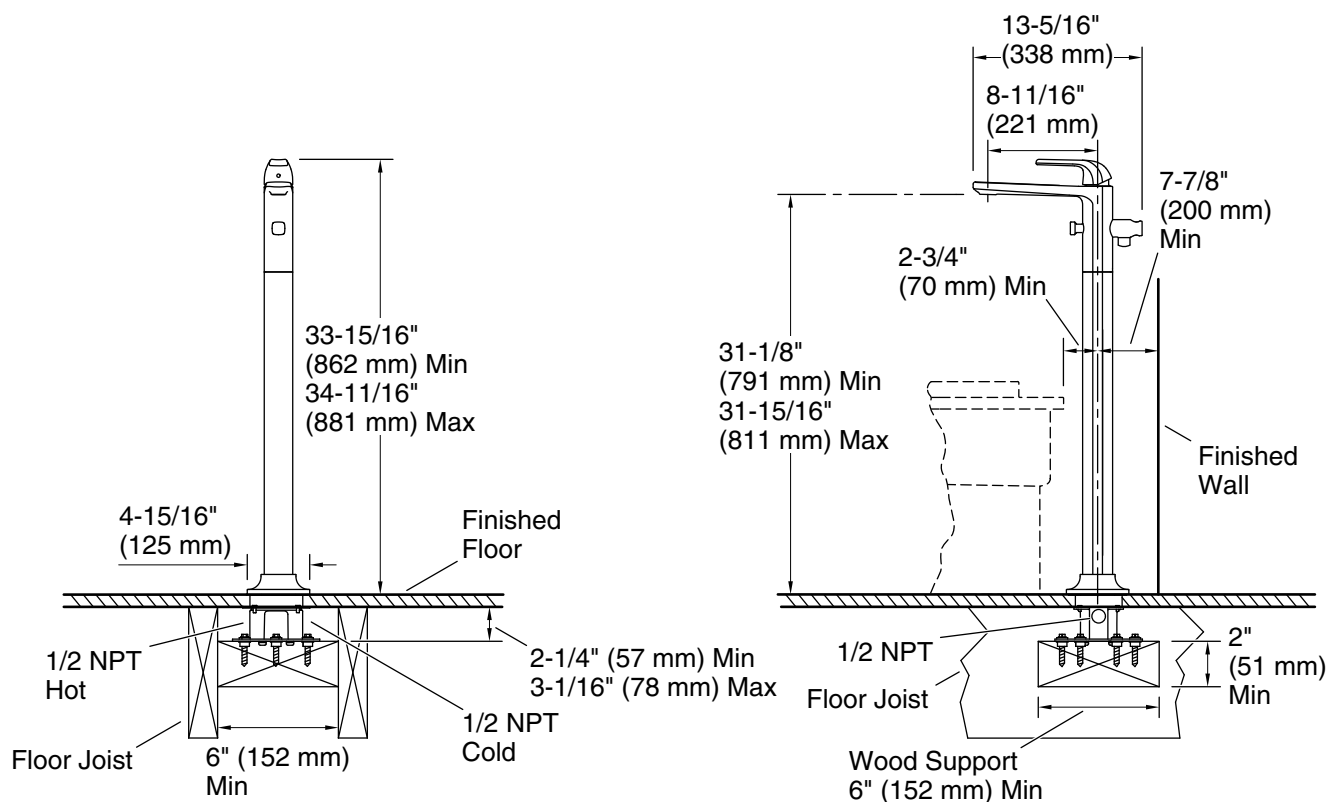
Kallista reserves the right to make revisions without notice to product specifications.

For the most current Specification Sheet, go to www.kallista.com.

10-3-2025 23:02 - US/CA

KALLISTA

Per Se[®] by KALLISTA
Freestanding Bath Faucet, Less Handshower
P24713-00



Technical Information

All product dimensions are nominal.

Faucet flow rate: 10 gal/min (37.9 l/min)

Spout:

Spout reach: 8-11/16" (221 mm)

Notes

Install this product according to the installation instructions.