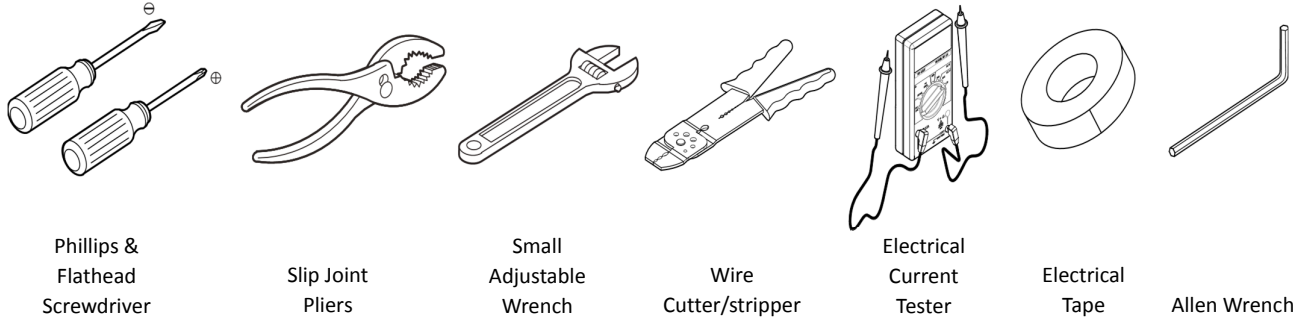


PREPARATION

1. Record your model number for future reference.
2. **DANGER: Risk of electric shock.** To avoid electric shock, the power must be turned off at the circuit breaker or fuse box before beginning the installation procedure.
3. **DANGER: Risk of electric shock.** To avoid electric shock, the outlet box must be properly grounded.
4. **Important Information.** Inspect the product for any damages. This product is for indoor use only. Observe all local codes.
5. Your product may appear different than the one illustrated. The installation procedures remain the same.

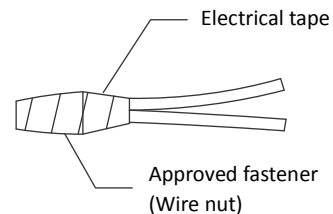
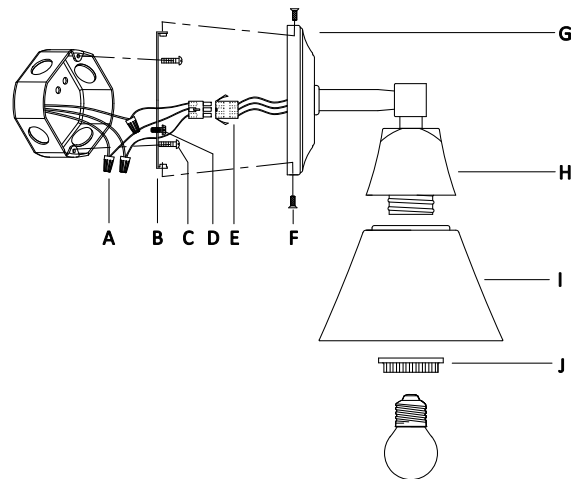
Please see next page for a larger installation image

TOOLS AND MATERIALS NEEDED



FIXTURE INSTALLATION

1. Remove the fixture and parts bag(s) from the carton. Put them onto a clean and soft cloth to protect finish. Confirm all parts are included.
2. Attach mounting plate (B) onto outlet box with screws (C).
3. **NOTICE:** To avoid short circuit, make sure wires are not exposed. Fasten fixture green or bare ground wire to the green or bare copper wire in outlet box with wire nut (A) or fasten onto ground screw (D) on mounting plate. Fasten white wire to the white wire in outlet box with wire nut (A). Wrap the wire connector with electrical tape so that the tape seals the end of wire nut (A), see diagram.
4. **NOTICE:** To avoid short circuit, make sure wires are not exposed. Fasten black wire to the black wire in outlet box with wire nut (A). Wrap the wire connector with electrical tape so that the tape seals the end of wire nut (A), see diagram.
5. Press together the two connectors (E).
6. Tuck wires carefully inside outlet box. Attach the canopy (G) onto wall then secure it with screws (F).
7. Install glass shade(s) (I) onto glass holder(s) (H) with socket ring(s) (J).
8. **NOTICE:** Do not exceed recommended wattage. Install lamp(s). Rated **Max 60 W, Type G/A/B.** (Bulb(s) not included).
9. Restore power to circuit at breaker or fuse box.



CLEANING

Please clean fixture with a soft and dry cloth ONLY. Clean glass with a mild soap.

