




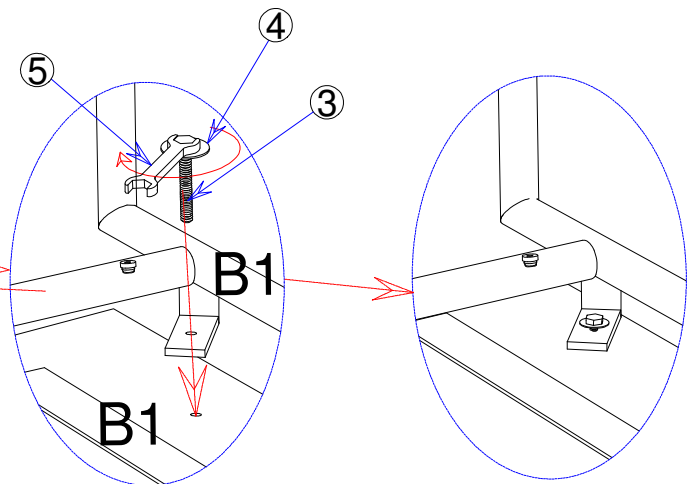
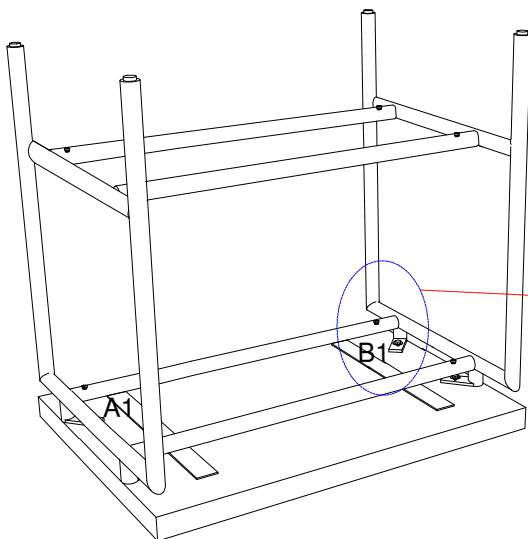
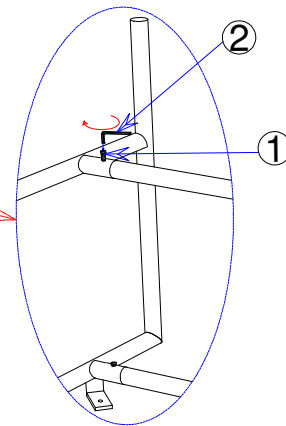
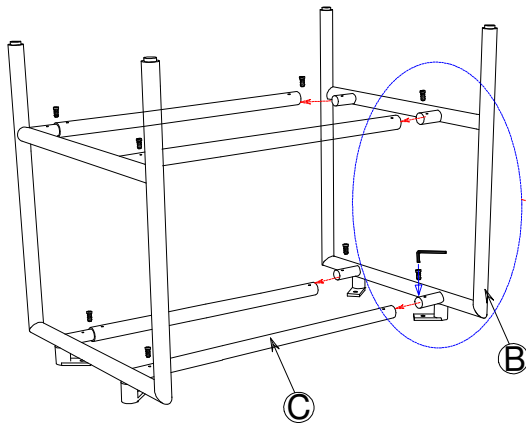
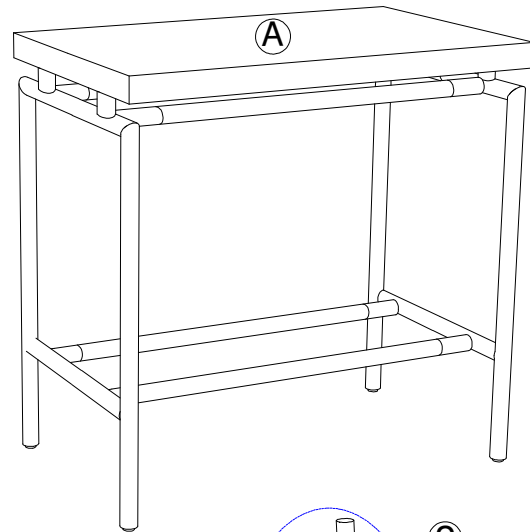


ASSEMBLY INSTRUCTION FOR 24507 CHAIR SIDE TABLE

HARDWARE LIST			
NO.	ITEM	DESCRIPTIN	QTY.
1		JCB Bolt M6 X 13 MM	8
2		Allen wrench	1
3		Bolt M8X25 MM	4
4		Flat washer M6X25 MM	4
5		Wrench	1



TO ASSEMBLY :

STEP 1 : Unpack chair side table.

STEP 2 : Roll chair side table on its back, then on its top on a clean, soft surface.

STEP 3 : Thread the JCB bolt (1) to iron leg(B) & iron cross bar(C).using tighten end assemblies fully.

STEP 4 : Set base assembly on the upside down case and attach HEX bolt (3) and washer (4) using allen wrench (5).

STEP 5 : Tighten bolts in step 4 fully with wrench (5) then carefully turn the chair side table upright.