


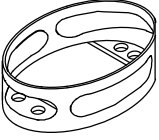





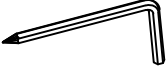
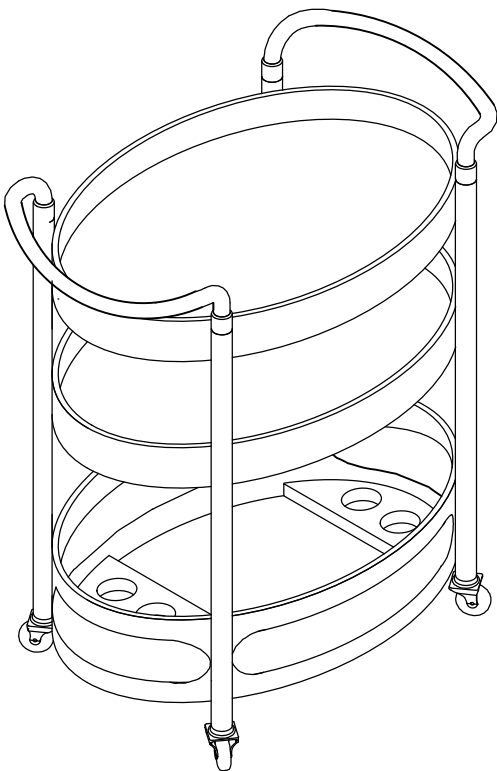


ASSEMBLY INSTRUCTION

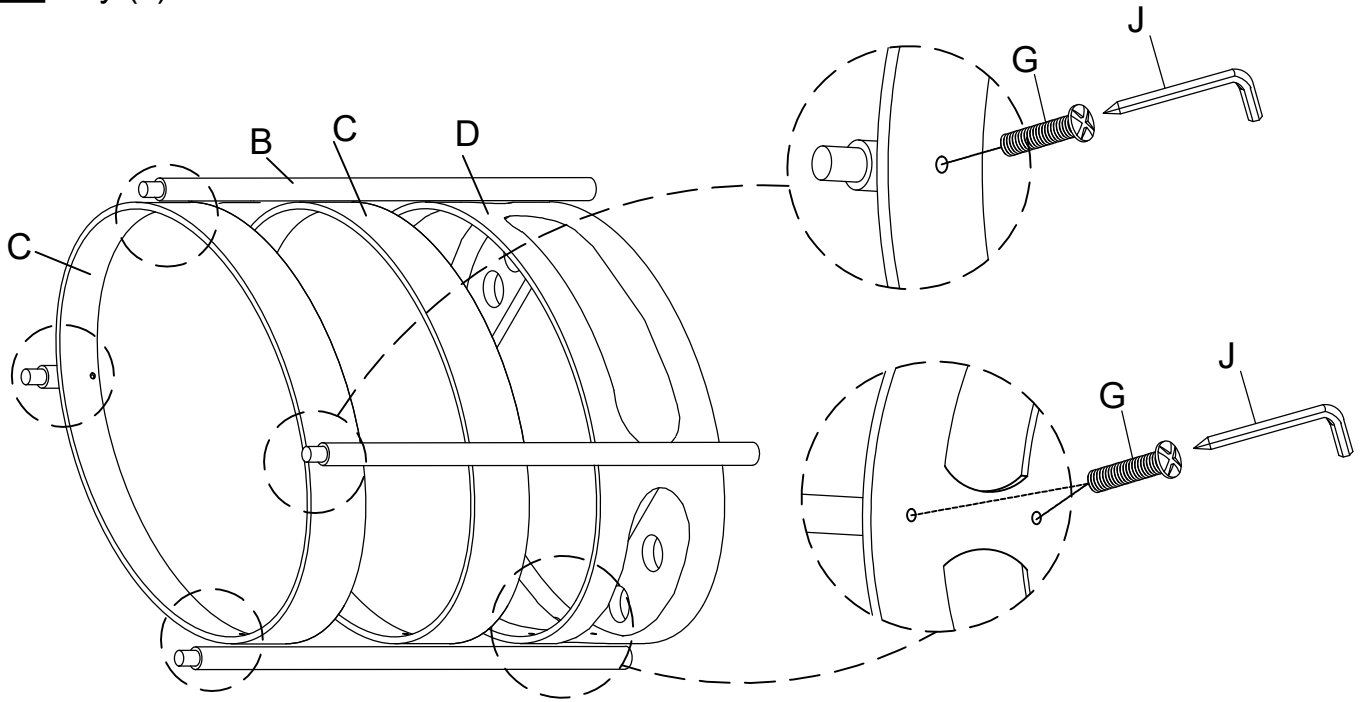
OVAL BAR CART

A Handle	B Post	C Upper Tray	D Bottom Tray
			
2pcs	4pcs	2pcs	1pc
E Wheel With Lock	F Wheel	G Bolt Ø5/32"x20mm	H Screw Ø8x15mm
			
2pcs	2pcs	16pcs	4pcs
I Spanner M14	J Allen Key M4		
			
1pc	1pc		

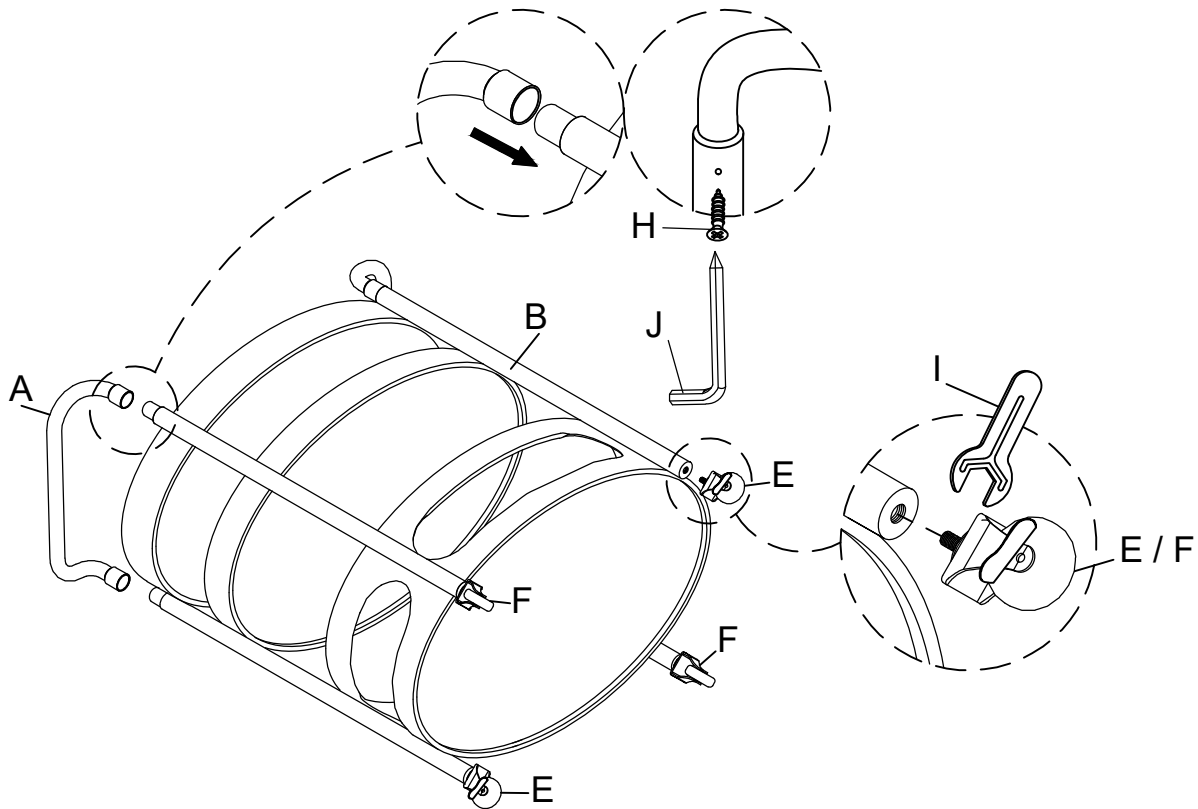


This page lists all the contents included in the box. Please take the time to identify the hardware as well as the individual components to this product. As you unpack and prepare for assembly, place the contents on a carpeted or padded area to protect them from damage.

1 Attach the Post (B) to Upper Tray (C) & Bottom Tray (D) using Bolt (G) by Allen Key (J).



2 Attach to Handle (A) to the top of Post (B) using Screw (H) by Allen Key (J), attach Wheel With Lock (E) & Wheel (F) to the bottom of with Spanner (I).



Cleaning & Care

Treat surface with care. Surface is resistant to scratches but is not scratch resistant. Clean surfaces with a dry or damp soft cloth. Do not use abrasive cleaners. Hardware may loosen over time. Periodically check that all connections are tight.